

BT7017

I-BEAM / GIRDER MOUNT FOR Ø2" POLES

The BT7017 allows for the suspension of pole-mounted solutions weighing up to 140kg from I-beam girders. It is compatible with B-Tech's BT7850 Ø2" poles, and its locking bolt securely positions the pole vertically at any angle up to 36 degrees.

SPECIFICATIONS

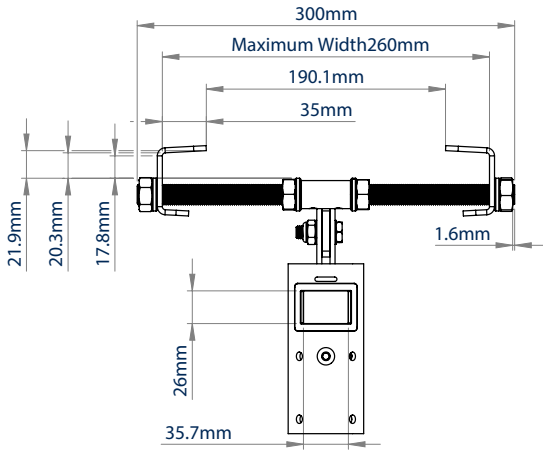
Max load	308lbs
Tilt	up to +/-36°
Adjustable width	3" - 9.8"

FEATURES

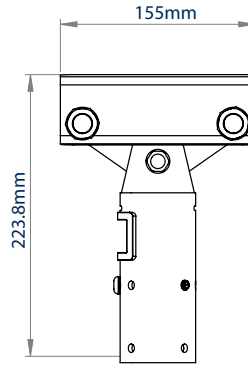
- 1 For use with Ø2" poles
- 2 Locking bolt included to securely set the pole vertical at any angle up to 36°
- 3 Fits I-Beams and thick steel from 3" - 9.8" in width
- 4 Integrated cable management
- Adjustable I-Beam (girder) mount for use with Ø2" poles



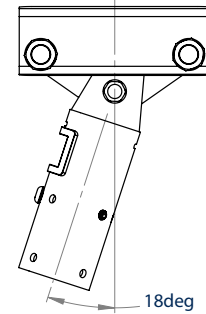
BT7017



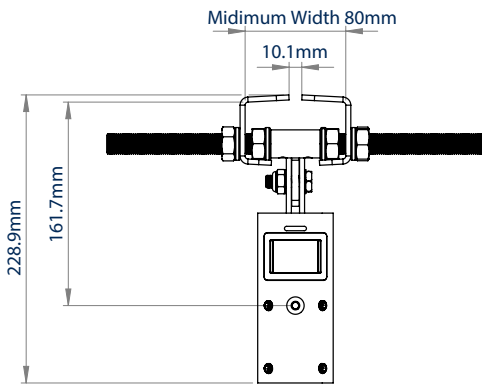
**FRONT VIEW
MAXIMUM WIDTH**



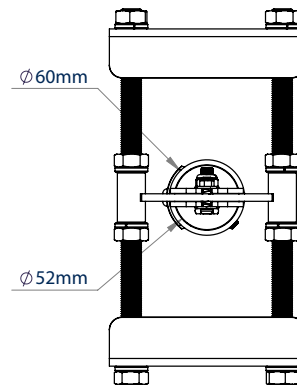
SIDE VIEW



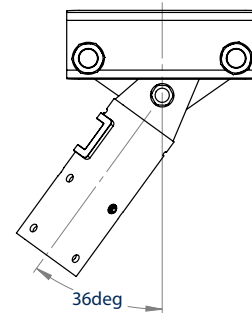
**TILT ADJUSTMENT
18 DEGREES**



**FRONT VIEW
MINIMUM WIDTH**



TOP VIEW



**TILT ADJUSTMENT
36 DEGREES (MAXIMUM)**

ORDERING INFORMATION

COLOR	ORDER REF	BARCODE
Black	BT7017/B	5019318070181

RELATED PRODUCTS

PRODUCT CODE	NAME	DESCRIPTION
BT7012	Purlin Mount	Designed for use with Ø2" pole
BT7825	Truss Mount	Designed for use with Ø2" pole
BT7808	Ceiling / Wall Mount with Tilt	Designed to mount a Ø2" pole to a flat or angled ceiling
BT7850	Ø2" Poles	Designed for ceiling, floor or floor-to-ceiling installations

© 2015 B-Tech AV Mounts Corporation Ltd. All rights reserved.
 The information in this specification sheet reflects the current technical specifications of B-Tech AV Mounts Corporation Ltd.
 We reserve the right to change the technical or physical specifications without prior notice. The B-Tech name and the B-Tech logo are registered trademarks of B-Tech AV Mounts Corporation Ltd.
 B-Tech is not responsible for loss or damage caused by improper installation or mounting on unstable structures. Any reproduction or use without permission or registration of any part of this
 specification sheet is strictly prohibited unless prior written permission is granted by B-Tech AV Mounts Corporation Ltd. B-Tech

SS-V2-BT7017-100725