

BT7012

PURLIN MOUNT FOR Ø2" POLES

The BT7012 enables the suspension of pole mounted solutions up to 308lbs from C-section and Z-section purlins, beams and girders. Compatible with B-Tech's range of BT7850 Ø2" poles, the locking bolt securely sets the pole vertically at any angle up to 45 degrees.

SPECIFICATIONS

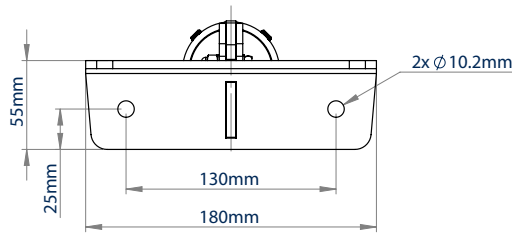
Max load	308lbs
Tilt	up to + 45°

FEATURES

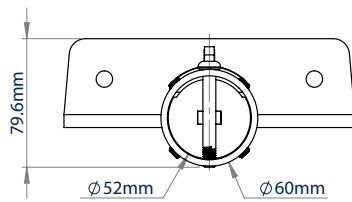
- 1** Fits C-section and Z-section purlins with a minimum height of 3.7"
- 2** Locking bolt included to securely set the pole vertically at any angle up to 45°
- 3** Integrated cable management
- 4** Can also be mounted to beams and girders
- Adjustable purlin mount for use with Ø2" poles



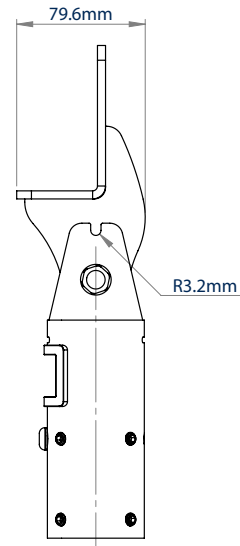
BT7012



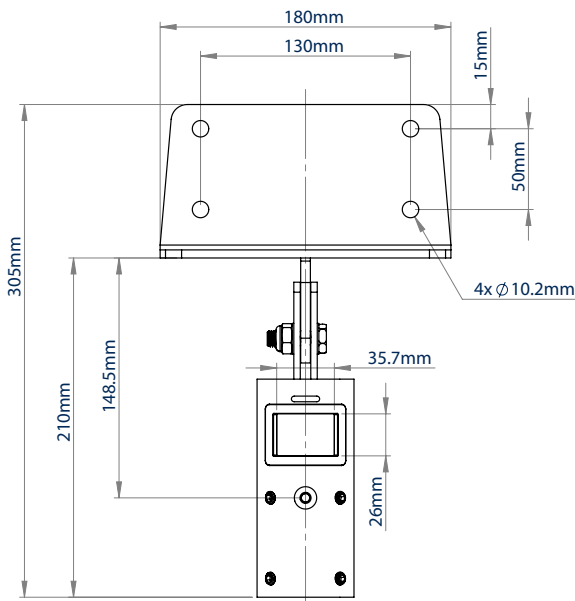
TOP VIEW



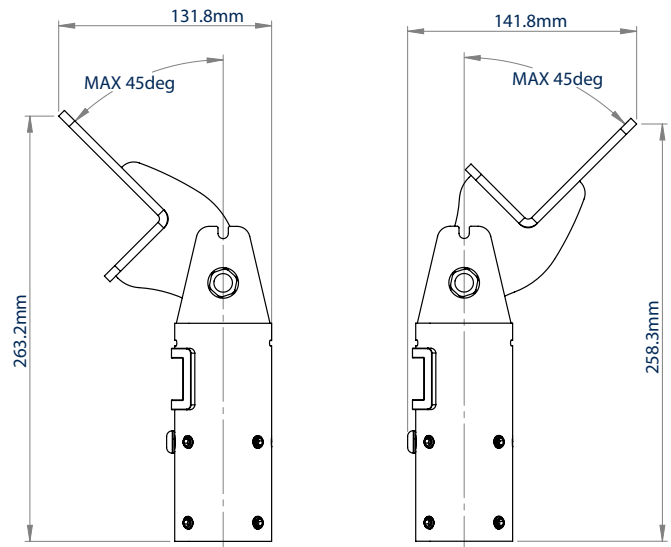
BOTTOM VIEW



SIDE VIEW



REAR VIEW



SIDE VIEW

ORDERING INFORMATION

COLOR	ORDER REF	BARCODE
Black	BT7012/B	5019318076589

RELATED PRODUCTS

PRODUCT CODE	NAME	DESCRIPTION
BT7017	I-Beam / Girder Mount	Designed for Ø2" pole
BT7825	Truss Mount	Designed for use with Ø2" pole
BT7808	Ceiling / Wall Mount with Tilt	Designed to mount a Ø2" pole to a flat or angled ceiling
BT7850	Ø2" Poles	Designed to combine with many B-Tech ranges

© 2015 B-Tech AV Mounts Co. Ltd. All rights reserved.
 The information in this specification sheet reflects the current technical specifications at the time of printing.
 We reserve the right to change the technical or physical specifications without prior notice. This B-Tech name and the B-Tech logo are registered trademarks of B-Tech AV Mounts Co. Ltd.
 B-Tech is not responsible for any loss or damage caused by improper installation or mounting on unsuitable structures. Any reproduction or use without permission or registration of any part of this specification sheet is strictly prohibited unless prior written permission is granted by B-Tech AV Mounts Co. Ltd. 12061E

SS-V2-BT7012-100725