

# BT7012

## PURLIN MOUNT FOR Ø50MM POLES

The BT7012 enables the suspension of pole mounted solutions up to 140kg from C-section and Z-section purlins, beams and girders. Compatible with B-Tech's range of BT7850 Ø50mm poles, the locking bolt securely sets the pole vertically at any angle up to 45 degrees.

### SPECIFICATIONS

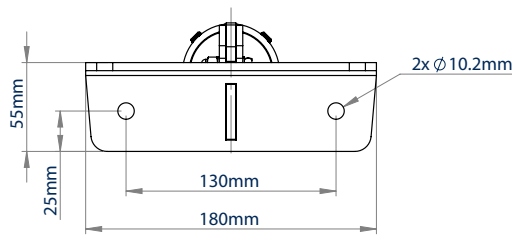
Max load	<b>140kg</b>
Tilt	up to + <b>45°</b>

### FEATURES

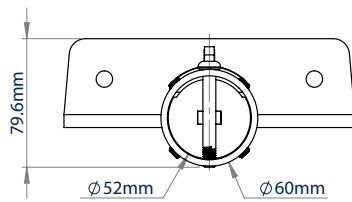
- 1** Fits C-section and Z-section purlins with a minimum height of 95mm
- 2** Locking bolt included to securely set the pole vertically at any angle up to 45°
- 3** Integrated cable management
- 4** Can also be mounted to beams and girders
- Adjustable purlin mount for use with Ø50mm poles



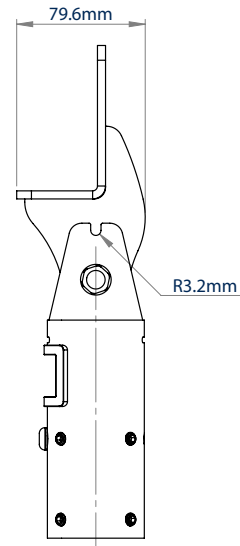
# BT7012



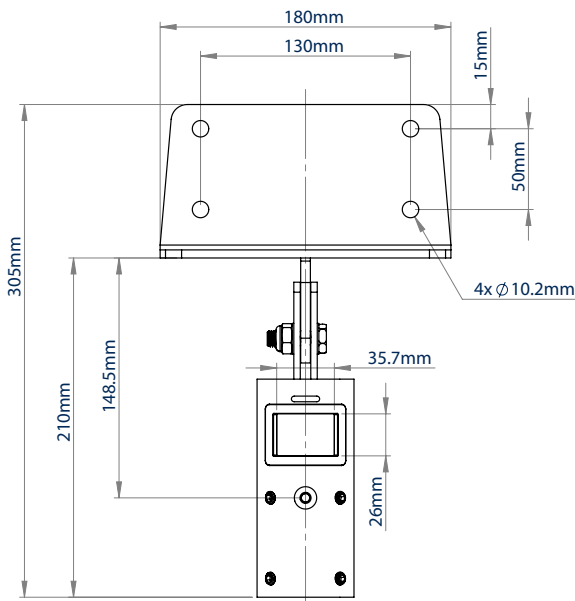
TOP VIEW



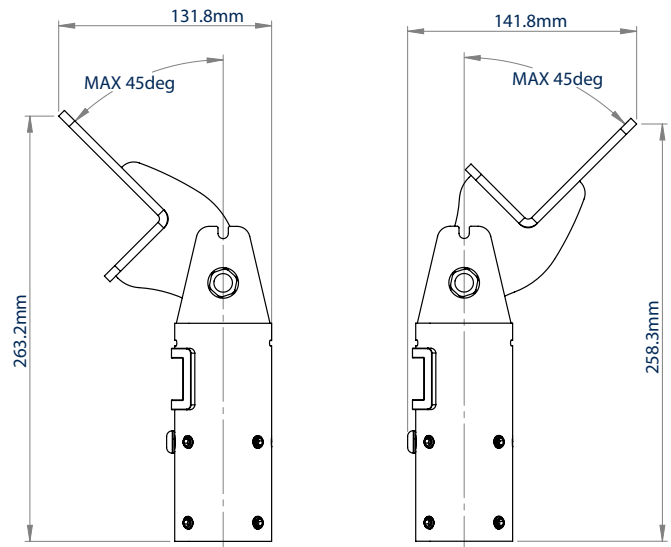
BOTTOM VIEW



SIDE VIEW



REAR VIEW



SIDE VIEW

## ORDERING INFORMATION

COLOUR	ORDER REF	EAN
Black	BT7012/B	5019318076589

## RELATED PRODUCTS

PRODUCT CODE	NAME	DESCRIPTION
BT7017	I-Beam / Girder Mount	Designed for Ø50mm pole
BT7825	Truss Mount	Designed for use with Ø50mm pole
BT7808	Ceiling / Wall Mount with Tilt	Designed to mount a Ø50mm pole to a flat or angled ceiling
BT7850	Ø50mm Poles	Designed to combine with many B-Tech ranges

© 2016 B-Tech AV Mounts Co. Ltd. All rights reserved.  
 The information in this specification sheet reflects the current technical specifications of B-Tech AV Mounts Co. Ltd.  
 We reserve the right to change the technical or physical specifications without prior notice. This is both in name and in the B-Tech logo are registered trademarks of B-Tech AV Mounts Co. Ltd.  
 B-Tech is not responsible for any loss or damage caused by improper installation or mounting on unsuitable structures. Any reproduction or use of information or registration of any part of this  
 specification sheet is strictly prohibited unless prior written permission is granted by B-Tech AV Mounts Co. Ltd. 2016.

SS-V2-BT7012-170924