



STAND
 HEIGHT
 17"

BT604

ATLAS™

SPEAKER STANDS

17" (PAIR)

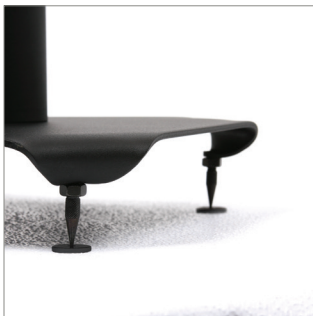
Supplied in pairs these Atlas floor stands are designed for speakers up to 110lbs. Mounting the speakers at a height of 17", the BT604 is easy to assemble and the columns can be filled with sand for sound dampening. Stable on any flooring, the stands are supplied with sound isolating spikes and floor discs to protect wooden / tiled floors, alternative foam pads are also included.

SPECIFICATION

Max load	110lbs (50kg)
Stand height	15"
Top plate dimensions	7.48" x 7.48"
Base plate dimensions	9.45" x 9.45"

FEATURES

- Twin columned floor stands for loudspeakers
- Fillable columns for superior dampening
- Solid construction using heavy gauge steel for enhanced stability
- Top and bottom isolation spikes provided
- Foam pads included as an alternative to isolating support spikes
- Suitable for all types of floors including wood & carpet with supplied protection discs
- Supplied in pairs



Bottom isolation spikes supplied with floor protection discs



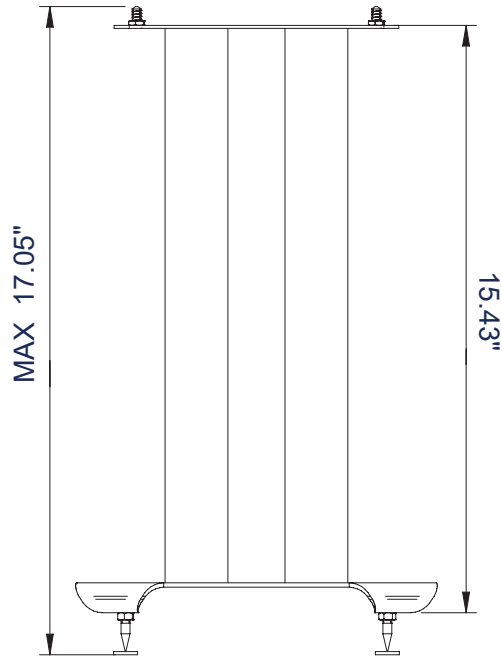
Supplied with isolation spikes and alternative foam pads



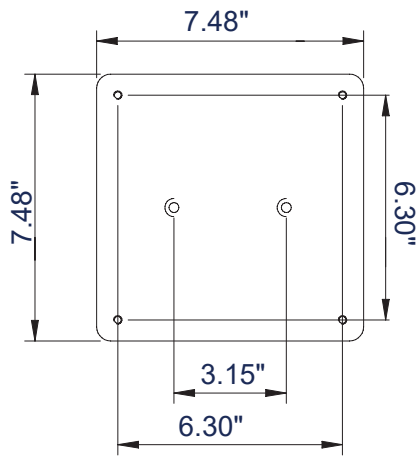
Use dry sand to fill columns for superior dampening



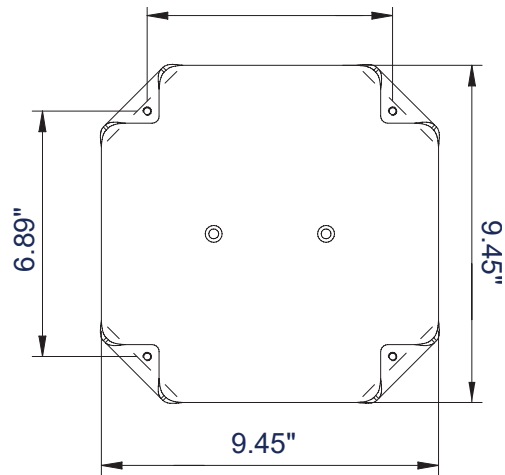
Supplied in retail packaging - ideal for the consumer market



FRONT VIEW



TOP PLATE



BASE PLATE

PACKING INFORMATION

COLOR:	ORDER REF:	UPC CODE:	MASTER CARTON QTY:	MASTER CARTON CUBE:	CARTON WEIGHT:
Black	BT604/B	811867032994	2	9.53cuft (0.27cbm)	30lbs (14kg)

RELATED PRODUCTS



Atlas Speaker Stands Height 25"
Designed to mount speakers up to 77lbs



Atlas Speaker Stands Height 33"
Designed to mount speakers up to 33lbs



Centre Speaker Wall Mount with Adjustable Arms designed to mount speakers up to 33lbs



Side-Clamping Speaker Wall Mounts designed to mount speakers up to 55lbs

© 2016 B-Tech International Design, A Division of B-Tech, Inc. All rights reserved.
 The information in this specification is for reference only. B-Tech International Design, A Division of B-Tech, Inc. reserves the right to change the technical specifications without prior notice. The B-Tech name and logo are registered trademarks of B-Tech International Design, A Division of B-Tech, Inc. All other trademarks are the property of their respective owners. B-Tech International Design, A Division of B-Tech, Inc. is not responsible for any loss or damage caused by improper installation or use of its products. Any reproduction or republishing of any part of this specification is strictly prohibited without written permission from B-Tech International Design, A Division of B-Tech, Inc. (BTUSA@btechavmounts.com)

SS-V3-BT608-280720-US