

BT604

ATLAS™ SPEAKER STANDS 40CM (PAIR)

Supplied in pairs these Atlas floor stands are designed for speakers up to 50kg. Mounting the speakers at a height of 40cm, the BT604 is easy to assemble and the columns can be filled with sand for sound dampening. Stable on any flooring, the stands are supplied with sound isolating spikes and floor discs to protect wooden / tiled floors, alternative foam pads are also included.

SPECIFICATIONS

Max load	50kg
Stand height	40cm
Top plate dimensions	190mm x 190mm
Base plate dimensions	240mm x 240mm
Colour	Black

FEATURES

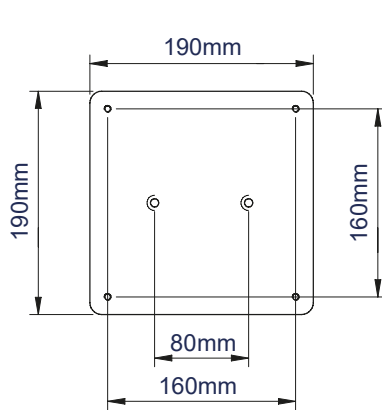
- 1 Bottom isolation spikes supplied with floor protection discs
 - 2 Supplied with isolation spikes and alternative foam pads
 - 3 Use dry sand to fill columns for superior dampening
 - 4 Supplied in retail packaging - ideal for the consumer market
- Twin columned floor stands for loudspeakers
 - Solid construction using heavy gauge steel for enhanced stability
 - Suitable for all types of floors including wood & carpet with supplied protection discs
 - Supplied in pairs



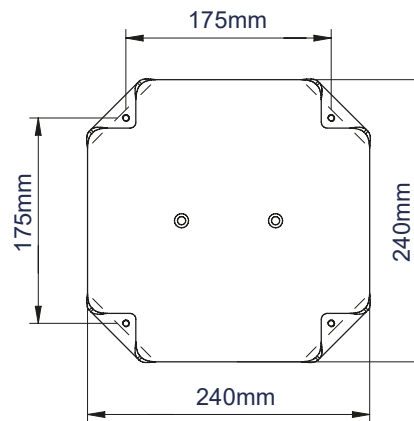
BT604



FRONT VIEW



TOP PLATE



BASE PLATE

ORDERING INFORMATION

COLOUR	ORDER REF	EAN
Black	BT604/B	5019318036040

RELATED PRODUCTS

PRODUCT CODE	NAME	DESCRIPTION
BT606	Atlas Loudspeaker Floor Stands	Height 60cm
BT608	Atlas Loudspeaker Floor Stands	Height 80cm
BT77	Side Clamping Speaker Wall Mounts	Designed for speakers up to 25kg
BTV920	Home Cinema Speaker Floor Stands	Designed for speakers up to 2kg

© 2018 B.Tech. AV Mounts Co. Limited. All rights reserved.
The information this specification sheet reflects the current technical specifications at the time of printing.
We reserve the right to change the technical or physical specifications without prior notice. The B.Tech name and the B.Tech logo are registered trademarks of B.Tech. AV Mounts Co. Ltd.
B.Tech is not responsible for any damage or loss of data caused by improper installation or mounting on unstable structures. Any reproduction or reuse of this specification sheet is strictly prohibited unless prior written permission is granted by B.Tech. AV Mounts Co. Ltd. 10061E.

SS-V2-BT604-240924