

BT6010

SECURITY DOME CAMERA MOUNT FOR Ø2" POLES

The BT6010 is a CCTV mount that can be used to mount cameras up to 55lbs. Compatible with B-Tech's System 2 professional range, this mount is designed to attach onto B-Tech's range of BT7850 Ø2" poles. A unique carousel design makes for simple installation with all the required hardware being included.

SPECIFICATIONS

Max load	55lbs
Distance between fixing points	Min: 2.5" Max: 4"
Color	Zinc plated

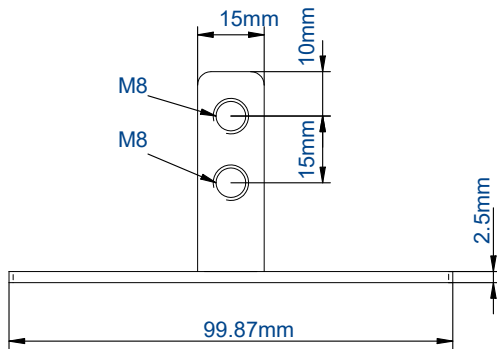
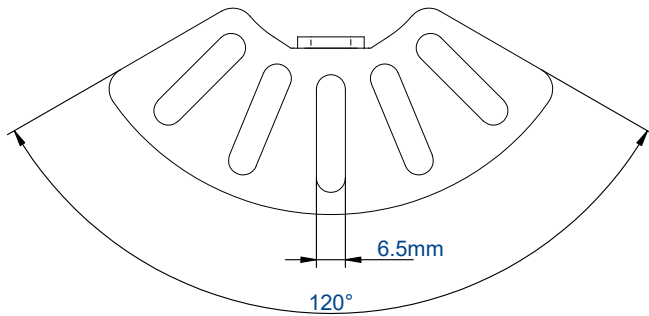
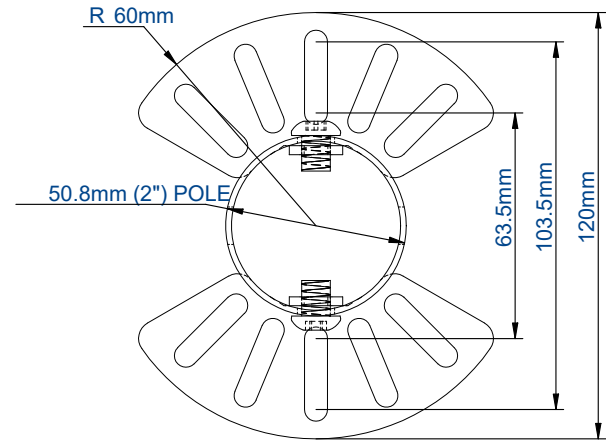
FEATURES

- 1 Ideal for use with CCTV dome cameras'
 - 2 Fits onto B-Tech System 2 Ø2" poles
 - 3 Unique carousel mount for simple installation
 - 4 Zinc plated finish
- All mounting hardware included

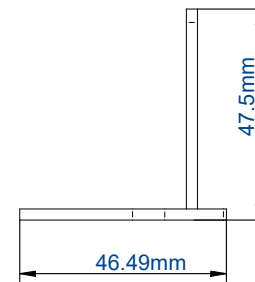


BT6010

TOP VIEW



FRONT VIEW



SIDE VIEW

ORDERING INFORMATION

COLOR	ORDER REF	BARCODE
Black	BT6010/B	5019318110016

RELATED PRODUCTS

PRODUCT CODE	NAME	DESCRIPTION
BT7825	Truss Mount	Adaptor for attaching Ø2" poles onto truss system's
BT7850	Ø2" Pole	Designed to support large loads is available in various lengths
BT7851	Adjustable Drop Ceiling Mount	Designed for easy positioning of mounted screens
BT7822	Heavy Duty Ceiling / Floor Mount	Designed to mount a Ø2" pole to the ceiling or to the floor

© 2015 B-Tech AV Mounts Corporation Ltd. All rights reserved.
 The information this specification sheet reflects the current technical specifications at the time of printing.
 We reserve the right to change the technical or physical specifications without prior notice. The B-Tech name and the B-Tech logo are registered trademarks of B-Tech AV Mounts Corporation Ltd.
 B-Tech is not responsible for loss or damage caused by improper installation or mounting on unstable structures. Any reproduction or use without permission is prohibited.
 Specification sheet is ready for printing unless otherwise stated. All dimensions are in millimeters unless otherwise specified.

SS-V2-BT6010-100725