

BT5965

CCTV CEILING MOUNT WITH NPT ADAPTER

The BT5965 is a ceiling mount designed to fix equipment such as CCTV cameras using an NPT standard 1.5" thread. Available with a 1 or 2 metre ceiling drop, the BT5965 features integrated cable management allowing cables to run through the centre of the pole and out through either the top or side of the ceiling mount, ensuring finished installations are neat and tidy. For longer drops, the pole length can be extended with a joiner (BT5924) and additional poles (BT5935) from the System V Range, whilst accessories such as a flat screen can be added with the use of a $\varnothing 38\text{mm}$ accessory collar (BT5952) and compatible screen mount.

SPECIFICATIONS

Max load	25kg
BT5965-FD100 drop length	1067mm
BT5965-FD200 drop length	2067mm
Colour	White

FEATURES

- 1 Mount an NPT 1.5" compatible accessory to the ceiling
 - 2 Integrated cable management through the top side of the ceiling mount
 - 3 Safety bolts ensure pole and adaptor are securely joined
 - 4 Component range also available for custom installations
- Available in a choice of two different drop lengths
 - Multiple grub screws allow micro-adjustment of the pole to ensure a perfectly angled drop

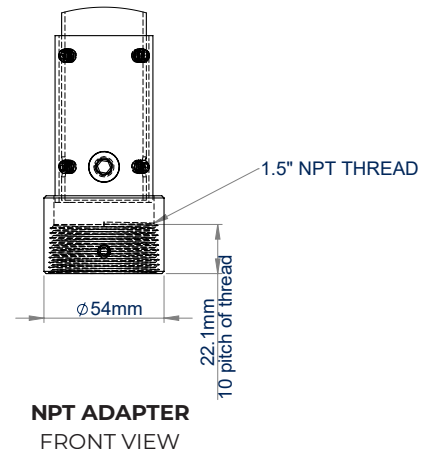
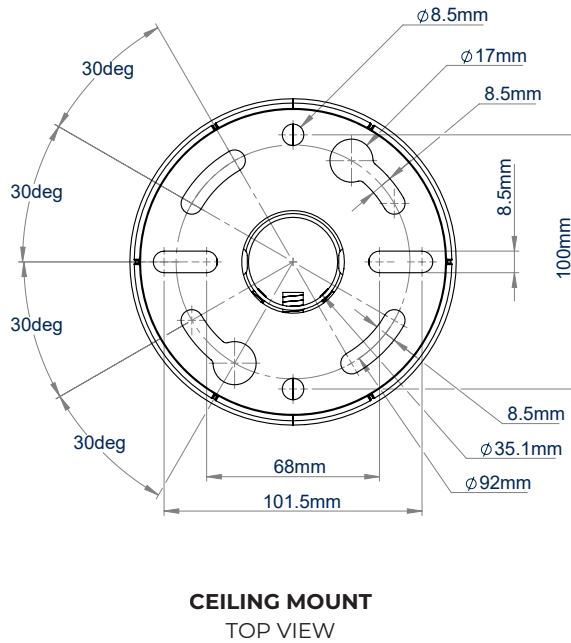
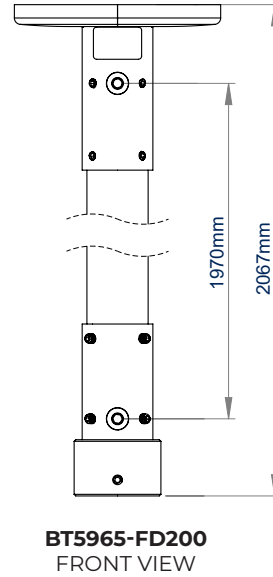
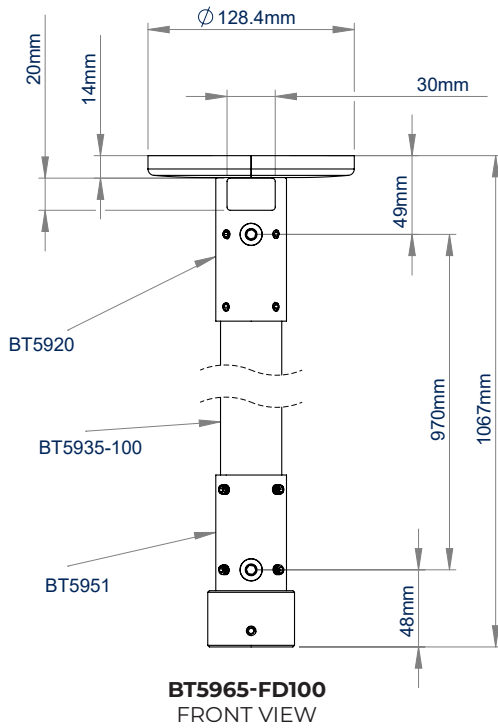
SYSTEM V



BT5965-FD100
1 metre length

BT5965-FD200
2 metre length

BT5965



ORDERING INFORMATION

COLOUR	ORDER REF	EAN
White	BT5965-FD100W	5019318304996
White	BT5965-FD200W	5019318305009

RELATED PRODUCTS

PRODUCT CODE	NAME	DESCRIPTION
BT5960	CCTV Security Mount	Mounts a small to medium dome camera
BT5961	CCTV Security Mount	Mounts a large dome camera
BT5963	CCTV Security Mount	Mounts a VESA 100 screen in a tilt position and a small-medium dome camera
BT5964	CCTV Security Mount	Mounts a VESA 200 screen in a tilt position and a small-medium dome camera

© 2016 B-Tech AV Mounts Components Ltd. All rights reserved.
 The information in this specification sheet reflects the current technical specifications at the time of printing.
 We reserve the right to change the technical or physical specifications without prior notice. This is both a name and the B-Tech logo are registered trademarks of B-Tech AV Mounts Co. Ltd.
 B-Tech is not responsible for any loss or damage caused by improper installation or mounting on unsuitable structures. Any reproduction or use of information or specification of any part of this
 specification sheet is strictly prohibited unless prior written permission is obtained from B-Tech AV Mounts Co. Ltd. 0262.

SS-V2-BT5965/AV-200924