

BT5923

INTERNAL POLE JOINER FOR Ø1.5" POLES

The BT5923 is an internal joining kit for Ø1.5" poles which is designed to extend the drop of System V installations. The joiner is made from 0.2" thick heavy duty steel, which easily bolts to the inside of BT5935 poles to create a rigid, seamless join whilst still allowing cables to pass through unimpeded.

SPECIFICATIONS

Steel thickness **0.2"**

FEATURES

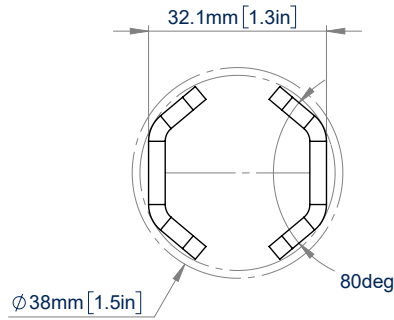
- 1 Attaches directly to BT5935 Ø1.5" poles
- 2 Hidden from view once installed for a seamless pole join
- 3 Two-piece design for a quick install
- 4 Heavy duty steel supports substantial loads with minimal movement
- Allows a rigid internal join of 2x Ø1.5" poles
- Allows cables to pass through the poles and joiner



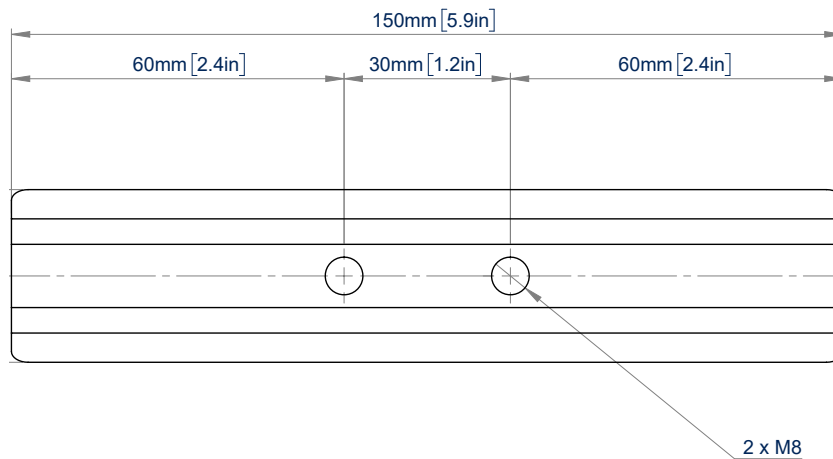
SYSTEM V



BT5923



TOP VIEW



SIDE VIEW

ORDERING INFORMATION

COLOR	ORDER REF	BARCODE
Zinc	BT5923-Z	5019318306877

RELATED PRODUCTS

PRODUCT CODE	NAME	DESCRIPTION
BT5935	1.5" Diameter Poles	Available in 1m or 2m lengths
BT5910	Dome Security Camera Mount	Carousel mount for small / medium dome CCTV cameras
BT5920	Fixed Ceiling Mount	Mounts BT5935 ø1.5" poles to the ceiling
BT5961-FD200	1m drop CCTV Ceiling Mount	CCTV Ceiling Mount with 2m drop - For small-medium dome security cameras

© 2015 B-Tech AV Mounts Co. All rights reserved. The information in this specification sheet reflects the current technical specifications of B-Tech AV Mounts Co. Ltd. We reserve the right to change the technical specifications without prior notice. The B-Tech name and logo are registered trademarks of B-Tech AV Mounts Co. Ltd. B-Tech is a registered trademark of B-Tech AV Mounts Co. Ltd. All other trademarks are the property of their respective owners. Any reproduction or transmission of any part of this specification sheet is strictly prohibited unless prior written permission has been granted by B-Tech AV Mounts Co. Ltd.

SS-V2-BT5923-220725