

## BT5923

### INTERNAL POLE JOINER FOR Ø38MM POLES

The BT5923 is an internal joining kit for Ø38mm poles which is designed to extend the drop of System V installations. The joiner is made from 4mm thick heavy duty steel, which easily bolts to the inside of BT5935 poles to create a rigid, seamless join whilst still allowing cables to pass through unimpeded.

#### SPECIFICATIONS

Steel thickness **4mm**

#### FEATURES

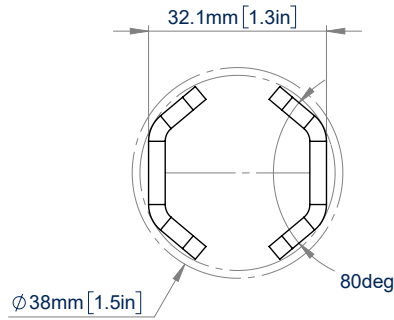
- 1 Attaches directly to BT5935 Ø38mm poles
- 2 Hidden from view once installed for a seamless pole join
- 3 Two-piece design for a quick install
- 4 Heavy duty steel supports substantial loads with minimal movement
- Allows a rigid internal join of 2x Ø38mm poles
- Allows cables to pass through the poles and joiner



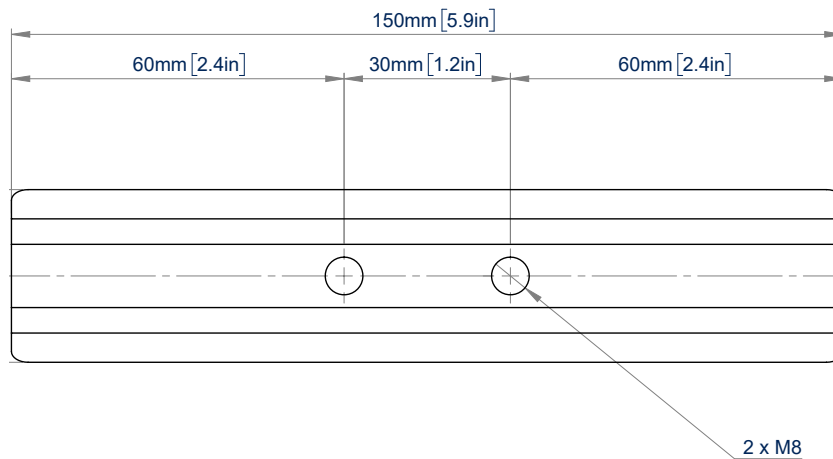
**SYSTEM V**



# BT5923



TOP VIEW



SIDE VIEW

## ORDERING INFORMATION

COLOUR	ORDER REF	EAN
Zinc	BT5923-Z	5019318306877

## RELATED PRODUCTS

PRODUCT CODE	NAME	DESCRIPTION
BT5935	38mm Diameter Poles	Available in 1 metre or 2 metre lengths
BT5910	Dome Security Camera Mount	Carousel mount for small / medium dome CCTV cameras
BT5920	Fixed Ceiling Mount	Mounts BT5935 ø38mm poles to the ceiling
BT5961-FD200	1m drop CCTV Ceiling Mount	CCTV Ceiling Mount with 2m drop - For small-medium dome security cameras

© 2018 B-Tech AV Mounts Co. Ltd. All rights reserved.  
 The information this specification sheet reflects the current technical specifications at the time of printing.  
 We reserve the right to change the technical or physical specifications without prior notice. This B-Tech name and the B-Tech logo are registered trademarks of B-Tech AV Mounts Co. Ltd.  
 B-Tech is not responsible for any loss or damage caused by improper installation or mounting on unsuitable structures. Any reproduction or reuse, permission or non-permission of any part of this  
 specification sheet is strictly prohibited unless prior written permission is granted by B-Tech AV Mounts Co. Ltd. 2018.

SS-V2-BT5923-200924