

BT5226-HWL

HORIZONTAL WALL PLATE FOR USE WITH A BT5226 DOUBLE ARM FLAT SCREEN WALL MOUNT

BT5226-HWL is an adaptor designed to mount the BT5226 double arm wall mount onto 16" stud walls. The horizontal plates offer a wider wall fixing option, converting the BT5226 from a single stud mount to a dual stud mount, simply add the adaptors onto the back of the BT5226 wall plate and continue with the screen installation.

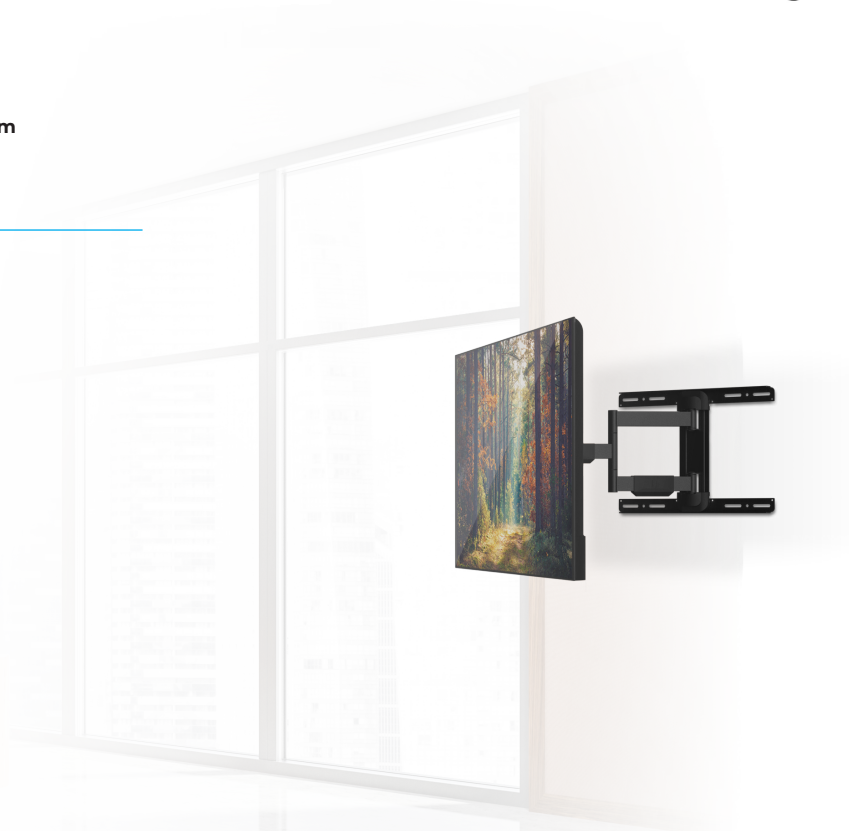
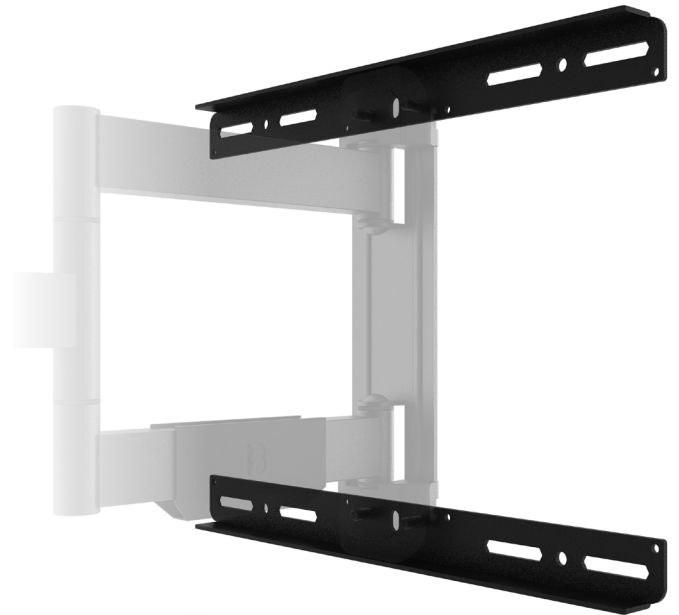
SPECIFICATIONS (WHEN ATTACHED TO THE BT5226)

(Max load and screen size specifications remain the same as stated on the BT5226)

Recommended screen size	up to 65"
Max load	35kg
VESA® and non-VESA fixings	up to 600 x 400
Tilt	12° downward / 2° upward
Screen levelling	+ / - 5°
Swivel	180°
Distance from wall	Min : 57.6mm Max : 497.8mm
Colour	Black

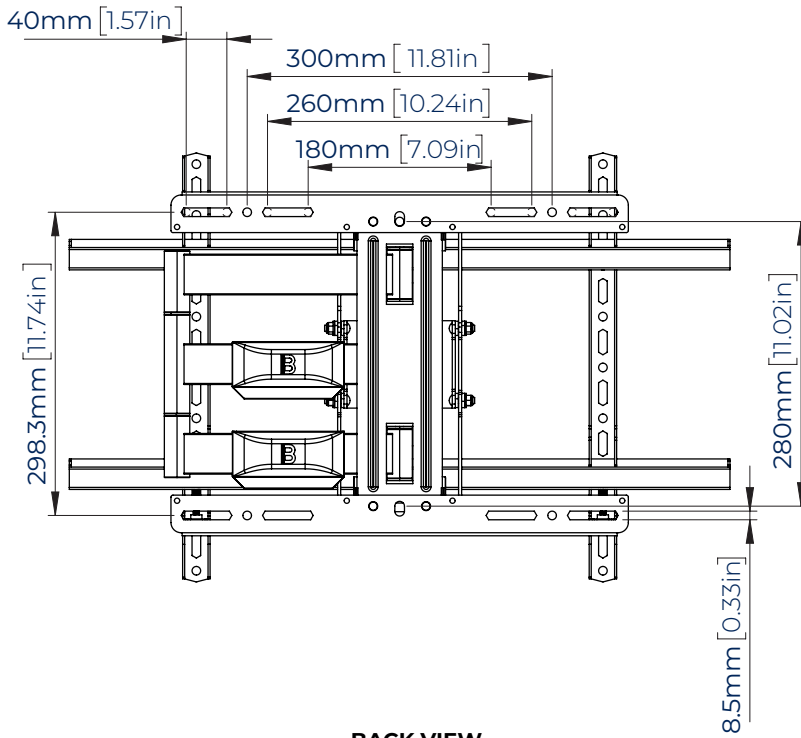
FEATURES

- 1** Use wall plate adaptors with a BT5226 flat screen mount
 - 2** Ideal for mounting across 16" stud walls
 - 3** Simple assembly and installation
 - 4** Mounts to the top and bottom of the BT5226 wall plate
- All mounting hardware included
 - **100% plastic free packaging**

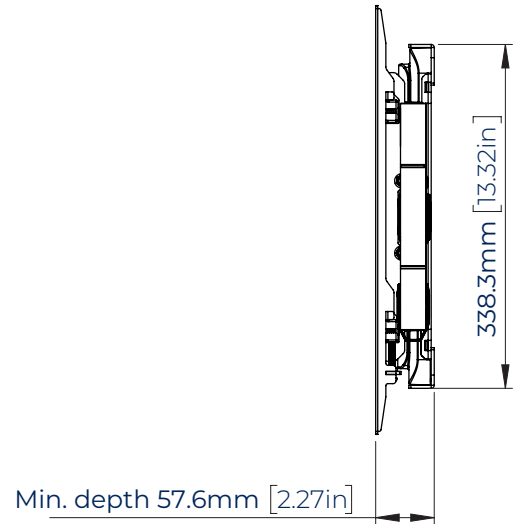


BT5226-HWL

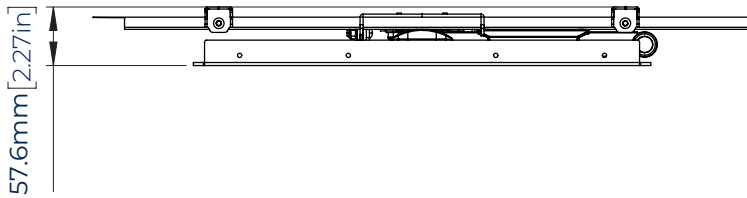
Dimensions show BT5226-HWL attached to a BT5226 Double Arm Flat Screen Mount



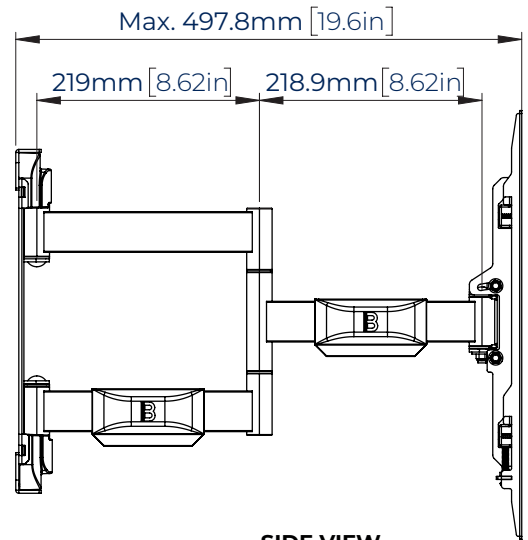
BACK VIEW



SIDE VIEW



TOP VIEW



SIDE VIEW WITH EXTENSION

ORDERING INFORMATION

COLOUR	ORDER REF	EAN
Black	BT5226-HWL/B	5019318309670

RELATED PRODUCTS

PRODUCT CODE	NAME	DESCRIPTION
BT5226	Double Arm Wall Mount	Features easy tilt and swivel, ideal for screens up to 65"
BT5229	Double Arm Wall Mount	Features easy tilt and swivel, ideal for screens up to 65"
BT5227	Twin Cantilever Arm Flat Screen Wall Mount	Features easy tilt and swivel, ideal for screens up to 75"
BT8229	Double Arm Wall Mount	Features easy tilt and swivel, ideal for screens up to 65"

© 2021 B-Tech AV Mounts Corporation Ltd. All rights reserved. The information in this document is subject to change without notice. B-Tech, the B-Tech logo and the BT logo are registered trademarks of B-Tech AV Mounts Corporation Ltd. B-Tech accepts no liability for loss or damage caused by improper installation or mounting on unstable structure. Any reproduction or translation of any part of this specification is strictly prohibited, unless prior written permission has been granted by B-Tech AV Mounts Corporation Ltd. BSGE

SS-V1-BT5226-HWL-100625