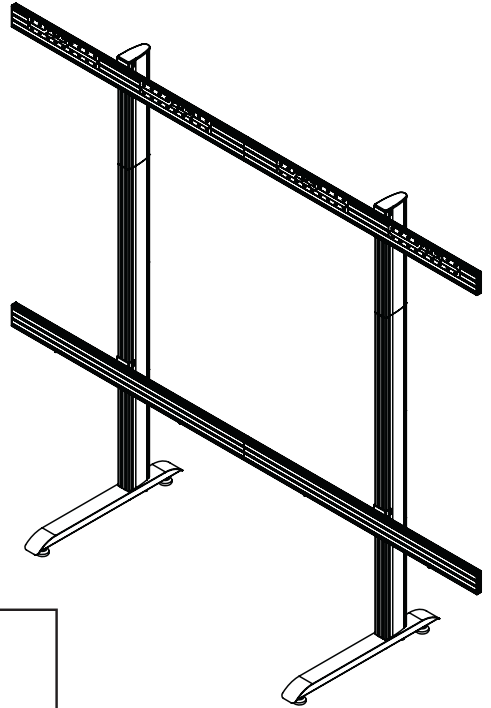


BT9370-SAM146

FLOOR STAND
FOR SAMSUNG'S ALL-IN-ONE IAB 146" DISPLAY

INSTALLATION GUIDE



SPECIFICATIONS

- Designed and configured specifically for the Samsung All-in-One IAB 146" Display
- Created from System X components
- Incorporates Samsung 146" All-in-One IAB Series mounting brackets
- Adjustable levelling feet to accommodate uneven floor surfaces
- Integrated cable management for a neat
- Dimensions:
W.3005mm (118.3") x H.2500mm (98.4") x D.950mm (37.4")



CONTENTS

Installation Safety Notes.....	2
Parts List.....	4
Installation Instructions.....	6
Product Dimensions.....	17
B-Tech Contact Details.....	20

INSTALLATION & OPERATING SAFETY INSTRUCTIONS



CAUTION: This mount is intended for use only with the maximum weights indicated. Use with equipment heavier than the maximum indicated may result in instability causing possible injury.

Do not attempt to install this product until all instructions and warnings have been read and properly understood. *Please keep these instructions for future reference.*

Please check carefully to make sure there are no missing or defective parts - defective parts must never be used. B-Tech AV Mounts, its distributors and dealers are not liable or responsible for damage or injury caused by improper installation, improper use or failure to observe these safety instructions. In such cases, all guarantees will expire. Check with the place of purchase for information on any guarantees, repairs or replacements of this product.

General

B-Tech AV Mounts recommends that a professional AV installer or other suitably qualified person install this product. Great care must always be taken during installation as most AV equipment is of a fragile nature, possibly heavy and easily damaged if dropped.

If you do not fully understand the instructions or are not sure how to install this product safely, then please consult a professional for advice and/or to install this product for you. Failure to mount this product correctly may cause serious injury or death, both during installation and at any time thereafter.

Do not mount any AV equipment that exceeds the specific weight limit of the product you are installing. This weight limit will be clearly stated on each product and its packaging and will vary from product to product.

Product location

Please pay careful attention to where this product is located. Designed for indoor use, this stand is suitable for public or home installation. Check load capacity of the floor prior to installation to ensure that it can support the combined weight of the equipment and hardware, some surfaces are not suitable for installation.

When verifying the stability of the structure, consider the following external factors: The strength of the floor, exposure to sudden and severe wind and danger arising from contact with people and / or objects (eg installations in passageways, emergency exits), if located in a public or frequently populated area ensure that the product is out of the immediate reach of people. When drilling holes it is essential to avoid contact with electrical cables and water or gas pipes contained within. Use of a good quality live wire detector and hidden object locator is therefore recommended. Only drill into structures when you are sure it is safe to do so.

Fixing hardware

It is highly recommended that all fixing screws be used where supplied and that the purpose of all other fixing hardware is fully understood. In some cases more AV equipment fixing hardware will be supplied to accommodate different models of equipment and set up configurations. The installer must be satisfied that any supplied fixing hardware is suitable for each specific installation.

If any fixing screws or included hardware are deemed not sufficient for a safe installation then please consult a professional or your local hardware store.

Hazard limitation

When routing cables take advantage of any built in cable management features that the product might provide and ensure that all cables are tidy and secure. Check to see that any moving aspect of the product can do so unhindered by any cabling. Some products have moving parts and the potential to cause injury through the crushing or trapping of fingers or other body parts. Particular attention to the nature of moving parts is required especially when assembling installing and adjusting during set up. Immediately after installation double-check that the work done is safe and secure. Double-check all necessary fixings are present and are of ample tightness.

Operating & Maintenance

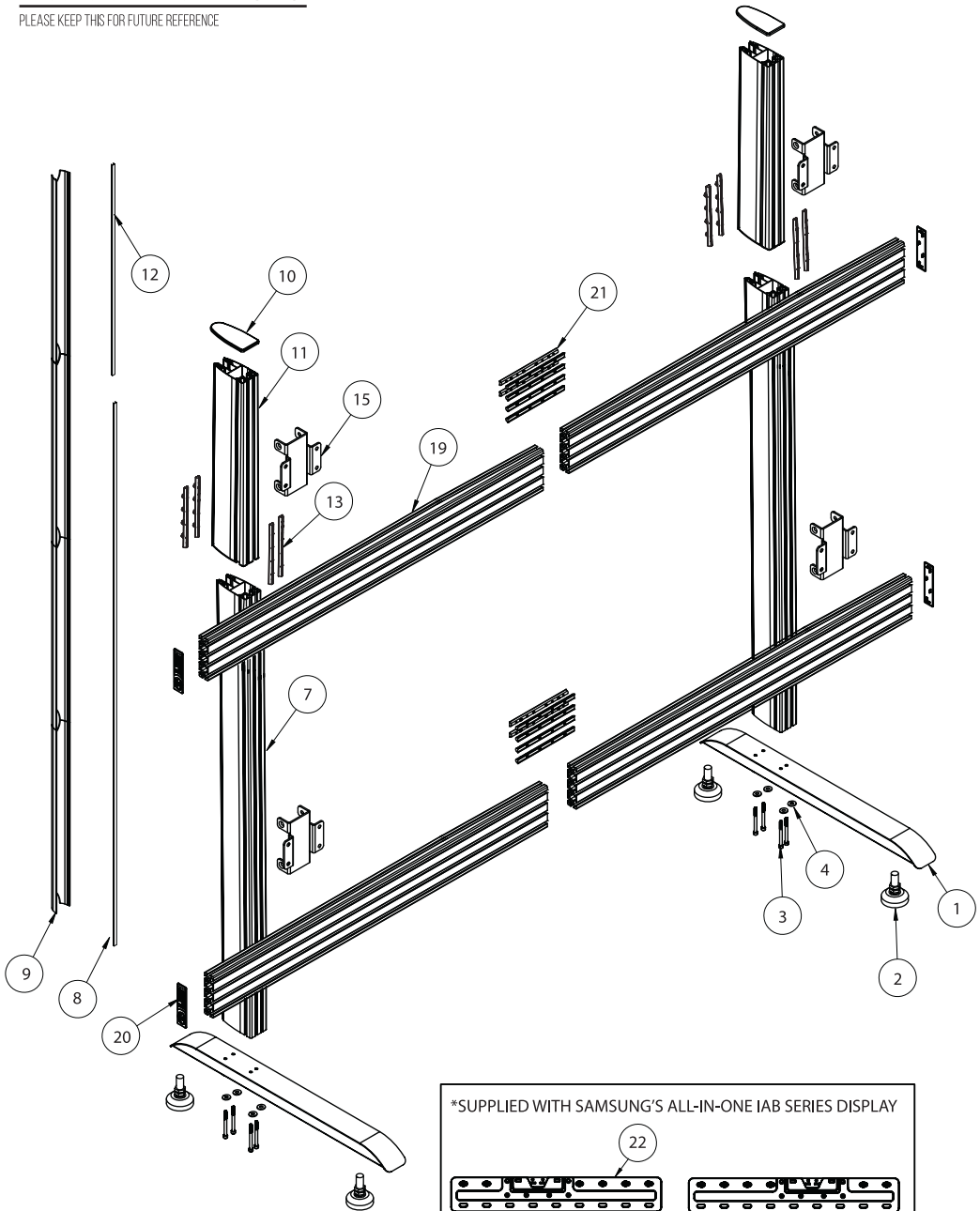
It is recommended that periodic inspections of the product and its fixing points are made as frequently as possible (no more than 6 months apart) to ensure that safety is maintained. B-Tech AV Mounts recommends that a suitably qualified person is used for the removal of this product. Please dispose of the product and packaging carefully and with consideration to the environment. If in doubt consult a professional AV installer or other suitably qualified person.

- CN B-Tech AV Mounts 建议本产品由专业AV安装人员或其他合格人员安装。B-Tech AV Mounts 及它的代理商、经销商不对由于不恰当的安装而造成的损失或伤害负责。本产品必须安装在合适的架构上，并仅用于不超过所标示的最大承重。
- CS Společnost B-Tech AV Mounts doporučuje provést instalaci tohoto produktu instalátora AV či jinak způsobilé osoby. Společnost B-Tech AV Mounts, její distributoři a prodejci nenesou prostřednictvím odborného odpov. édnost za škody nebo zranění zp. úšobená nevhodnou instalací. Tento výrobek je nutno umístit do vhodné konstrukce a používat jen po uvedené maximální výšku.
- DE B-Tech AV Mounts empfiehlt, dass dieses Produkt durch einen qualifizierten AV-Techniker oder eine andere Person mit geeigneter Qualifikation installiert wird. B-Tech AV Mounts, ihre Distributoren und Händler können nicht für durch fehlerhafte Montage verursachte Beschädigung oder Verletzung haftbar bzw. verantwortlich gemacht werden. Dieses Produkt muss auf einem geeigneten Untergrund montiert werden und darf nur bis zum angegebenen Höchstgewicht verwendet werden.
- EN B-Tech AV Mounts recommends that this product be installed by a qualified AV technician or other suitably qualified person. B-Tech AV Mounts, its distributors and dealers are not liable or responsible for damage or injury caused by improper installation, improper use or failure to observe these safety instructions. In such cases, all guarantees will expire. This product must be mounted on a suitable surface and may only be used up to the specified maximum weight.
- ES B-Tech AV Mounts recomienda que un instalador de audio y video profesional u otra persona debidamente cualificada instalen este producto. B-Tech AV Mounts, sus distribuidores y concesionarios no se hacen cargo ni se responsabilizan de ningún daño o lesión provocados por una instalación inapropiada. Este producto se debe montar en una estructura adecuada y se debe utilizar soportando solamente hasta el peso máximo indicado.
- FR B-Tech AV Mounts recommande de confier l'installation de ce produit à un installateur AV professionnel ou à une autre personne dûment qualifiée. B-Tech AV Mounts, ses distributeurs et ses revendeurs ne sauraient être tenus responsables de tout dégât ou de toute blessure résultant d'une installation incorrecte. Ce produit doit être monté sur un support approprié et utilisé dans la limite du poids maximum indiqué.
- IT B-Tech AV Mounts consiglia di affidare l'installazione di questo prodotto a un installatore specializzato o ad altra persona adeguatamente qualificata. B-Tech AV Mounts, i suoi distributori e rivenditori non accettano alcuna responsabilità nei riguardi di eventuali danni o infortuni causati da un'errata installazione. Questo prodotto deve essere fissato a una struttura idonea e utilizzato unicamente sino al peso massimo indicato.
- JP B-Tech AV Mounts はAV設置の専門家または適合した知識を備えた人が製品を設置することを推奨します。B-Tech AV Mounts と販売店、取引先はこうした安全指針に従わない場合に随伴される製品の損傷や傷害に対する責任を負いません。場合によって製品が設置されるに適していないところもあるので設置位置に特別な注意を傾けてください。この製品の位置に注意を傾けて設置に適していない壁があるかを確認してください。指定した重さ制限を超過するAV装備を装着しないでください。
- KR B-Tech AV Mounts 는 AV 설치 전문가 또는 적합한 지식을 갖춘 사람이 제품을 설치하도록 권장합니다. B-Tech AV Mounts 와 판매점, 거래처는 이러한 안전 지침을 따르지 않을 경우에 수반될 제품의 손상이나 손해에 대한 책임을 지지 않습니다. 경우에 따라 제품이 설치되기에 적합하지 않은 곳들도 있으므로 설치 위치에 특별한 주의를 기울여 주시기 바랍니다. 제품의 설치 위치에 주의를 기울여 확인하십시오. 지정된 무게 제한을 초과하는 AV 장비를 장착하지 마십시오.
- NL B-Tech AV Mounts adviseert om dit product te laten installeren door een professionele AV-instalateur of andere hiervoor gekwalificeerde persoon. B-Tech AV Mounts, haar distributeurs en dealers zijn niet aansprakelijk of verantwoordelijk voor schade of letsel die is veroorzaakt door onoordeelkundige installatie. Dit product moet worden gemonteerd aan een geschikte constructie, waarbij het aangegeven maximum gewicht niet mag worden overschreden.
- PL Firma B-Tech AV Mounts zaleca, aby ten produkt był instalowany przez profesjonalnych instalatorów AV lub inny odpowiednio przeszkolony personel. Firma B-Tech AV Mounts, jej dystrybutorzy i dealerzy nie ponoszą odpowiedzialności za uszkodzenia lub obrażenia ciała powstałe w wyniku nieprawidłowej instalacji. Niniejszy produkt musi być amontowany na odpowiedniej powierzchni, a podczas użytkowania nie wolno przekraczać podanego maksymalnego obciążenia.
- PT A B-Tech AV Mounts recomenda que a instalação deste produto seja efectuada por um instalador de AV profissional ou outra pessoa devidamente habilitada. A B-Tech AV Mounts e os seus distribuidores e concessionários não são responsáveis por danos ou lesões causados por uma instalação incorrecta. Este produto tem de ser montado numa estrutura adequada e utilizado somente até ao peso máximo indicado.
- RU Компания B-Tech AV Mounts рекомендует, чтобы установка данного изделия производилась инженером по установке аудио-видеотехники или другим специалистом с соответствующей квалификацией. Компания B-Tech AV Mounts ее дистрибьюторы и дилеры не несут ответственности за повреждения или травмы, полученные в результате неправильной установки.

توصي بي-تك للتجارة الدولية المحدودة بأن شخص محترف في تركيب ال AV او شخص مؤهل تأهيلا مناسباً لتركيب هذا المنتج. بي-تك للتجارة الدولية، موزعيها والتجار ليست عرضة أو مسؤولة عن الأضرار أو الإصابات الناجمة عن تركيب غير سليم، والاستخدام غير السليم أو عدم مراعاة هذه التعليمات للسلامة. يجب أن يتم تركيب هذا المنتج في بنية مناسبة ويجب استخدام فقط لدعم الحد الأقصى للوزن المشار إليه.

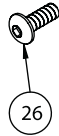
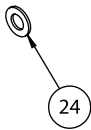
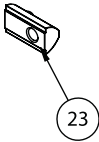
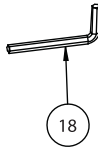
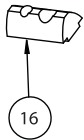
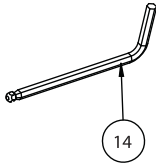
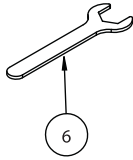
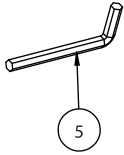
BT9370-SAM146 PARTS LIST

PLEASE KEEP THIS FOR FUTURE REFERENCE



*SUPPLIED WITH SAMSUNG'S ALL-IN-ONE IAB SERIES DISPLAY

Four views of the Samsung IAB series display interface (part 22) are shown in a 2x2 grid. The top-left view shows the front of the interface with a central display area and several ports. The top-right view shows the back of the interface with various mounting and connection points. The bottom-left view shows the front of the interface from a different angle, highlighting the display area. The bottom-right view shows the back of the interface from a different angle, highlighting the mounting and connection points.



ITEM	PART NAME	QTY
1	BASE	2
2	LEVELING FOOT	4
3	M8 x 90mm SCREW	8
4	M8 WASHER	8
5	6AF HEX KEY	1
6	24mm SPANNER	1
7	180cm COLUMN	2
8	PLASTIC SLOT INSERT	8
9	CABLE COVER	8
10	COLUMN END CAP	2
11	60cm COLUMN	2
12	60cm PLASTIC SLOT INSERT	8
13	COLUMN JOINDER	8
14	3AF HEX KEY	8
15	RAIL-TO-COLUMN FIXING PLATE	4
16	M8 SLIDING NUT	32
17	M8 x 12mm SCREW	32
18	5AF HEX KEY	1
19	MOUNTING RAIL L:1500mm	4
20	RAIL END CAP	4
21	RAIL JOINDER	12
CABINET FIXING KIT		
22	SAMSUNG MOUNTING PLATE*	4
23	M6 SLIDING NUT	28
24	M6 WASHER	28
25	M6 x 10mm SCREW	24
26	M6 x 16mm SCREW	4

INSTALLATION TOOLS REQUIRED

Knife/Cutter

Level (Optional)



INSTALLATION INSTRUCTIONS

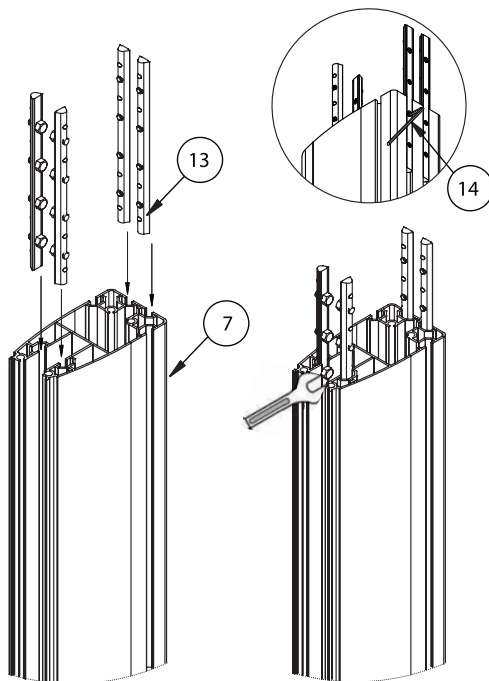
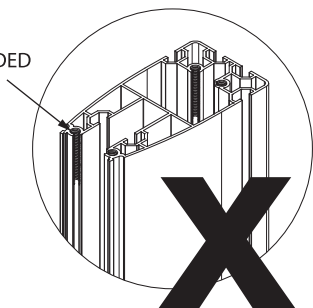
1. COMBINE COLUMNS

- i. Insert and secure *item 13* halfway into the non-threaded end of *item 7*.

Note: The two joining bars with *grub screws* go in the front of the column and the 2 joining bars with *hex bolts* go in the back.

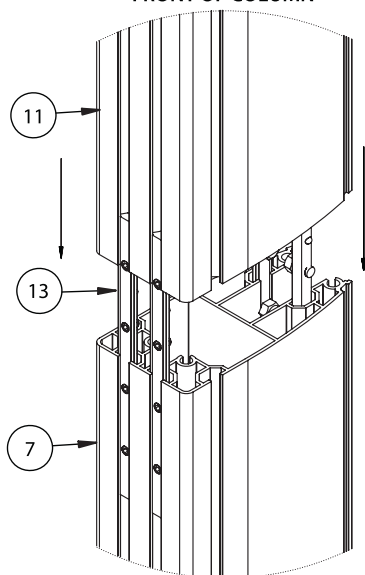
IMPORTANT: Joining bars should be inserted into the non-threaded end of the 180cm column.

THREADED

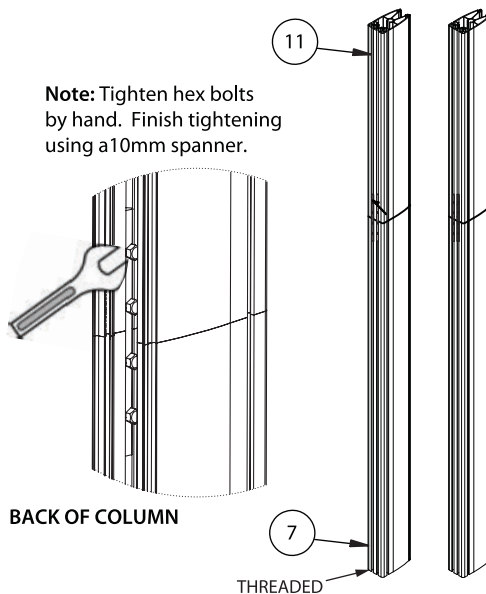


- ii. Fit *item 11* onto the top of *item 7* using *item 13* and tighten all fixings on *item 13*. Repeat for both sets of columns.

FRONT OF COLUMN



Note: Tighten hex bolts by hand. Finish tightening using a 10mm spanner.



2. COMBINE RAILS

- i. On one side of *item 19*, insert 4x *item 21* half-way into each channel.
On the back side of *item 19*, insert 1x *item 21* into the top channel and 1x *item 21* into the third channel (*see fig. 1*).
Loosely fasten the grub screws on each joining bar securing it to the mounting rail.
- ii. Slide another *item 19* onto *item 21* and tighten all the grub screws, combining the rails securely.

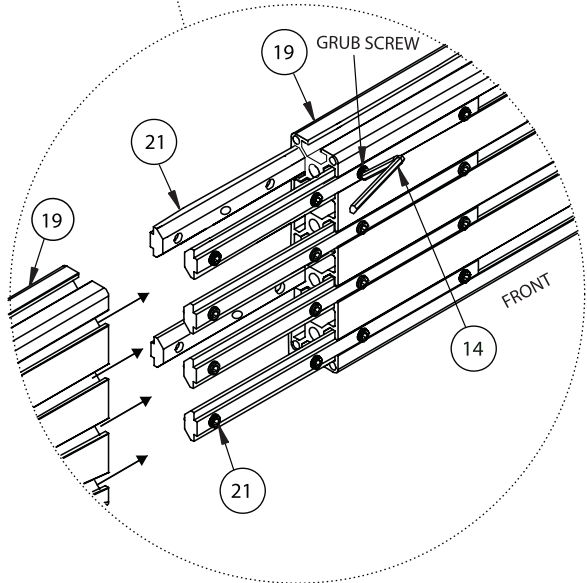
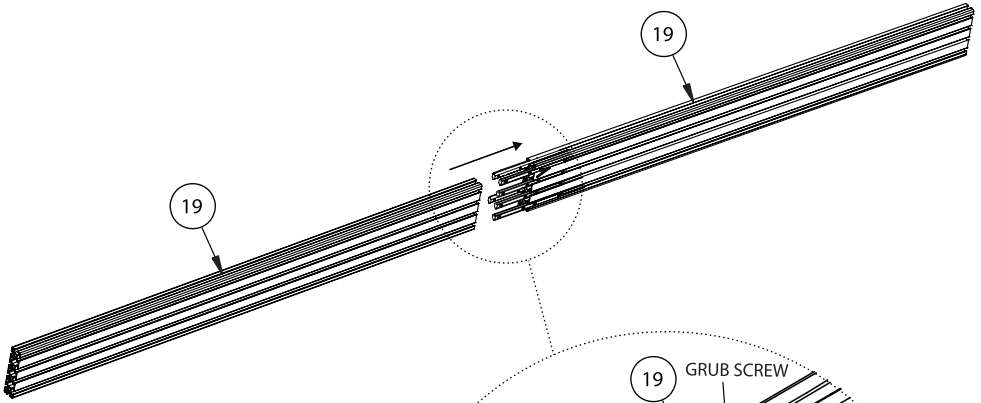
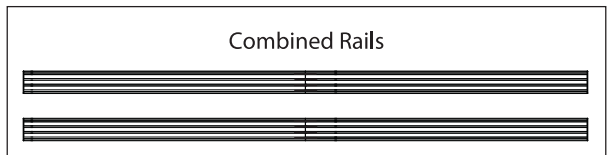
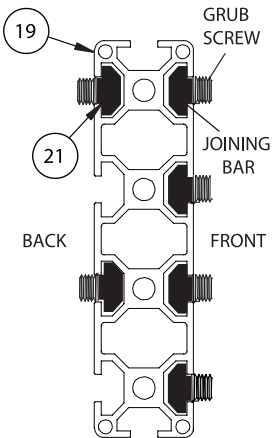
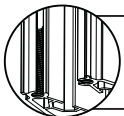
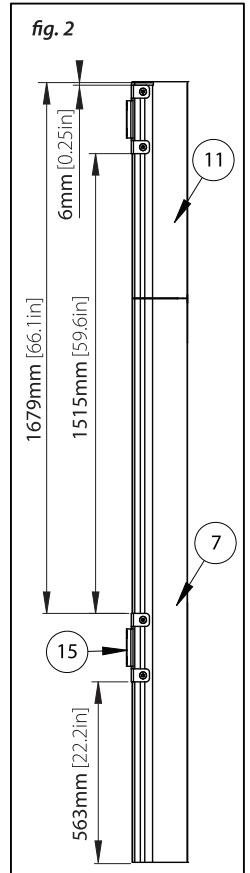
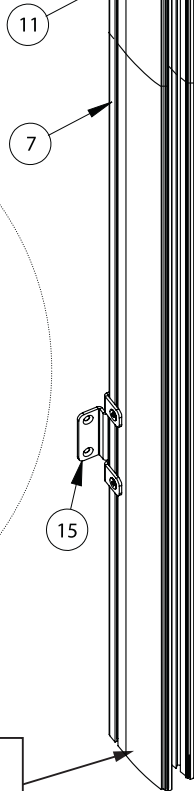
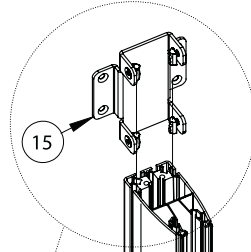
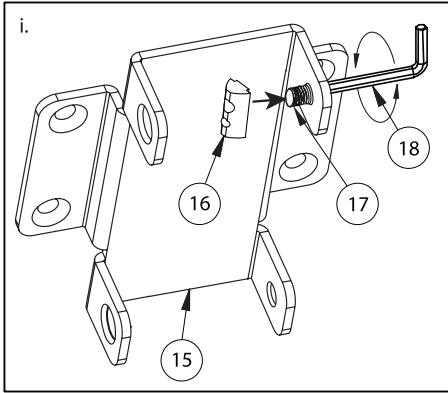


fig. 1



3. ATTACH JOINING PLATES TO COLUMNS

- i. On item 15, assemble 4x item 17 to item 16.
- ii. Lay the column on the floor and fit item 15 to items 7 & 11 (see fig 2. for placement of item 15). Repeat for both columns.



IMPORTANT:
Make sure the end with M8 threads
are at the bottom of the columns.

4. INSERT SLIDING NUTS INTO MOUNTING RAILS

Lay the rail on the floor and at either end insert 4x item 16 into item 19.

Two in the 2nd channel and two in the bottom channel (See fig. 3 for positioning of item 16). Repeat for both rails.

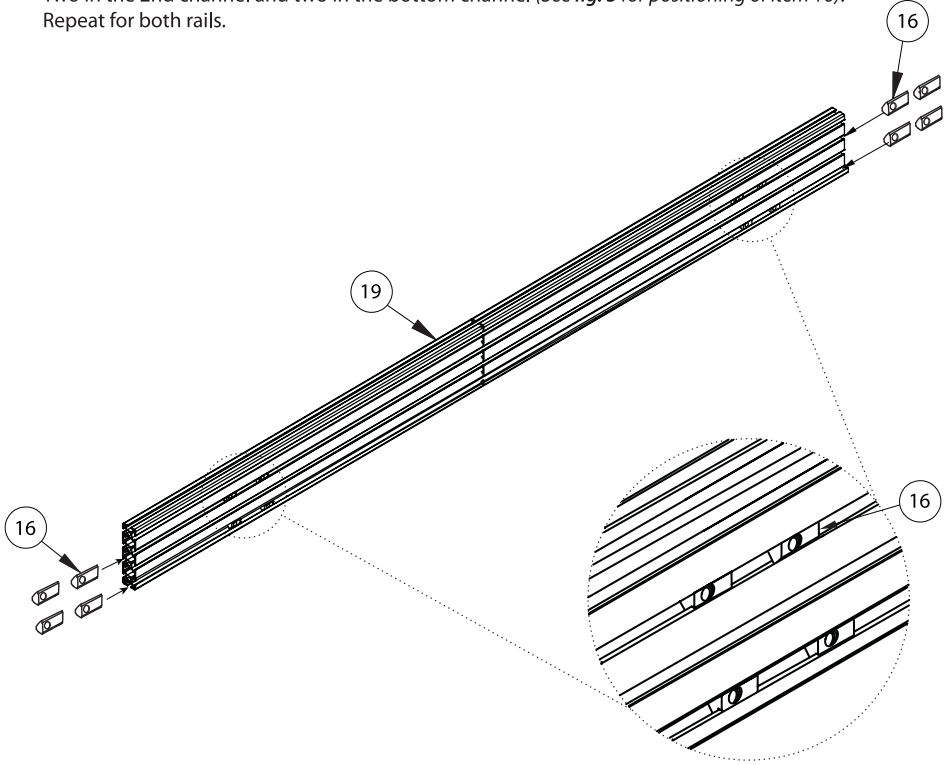
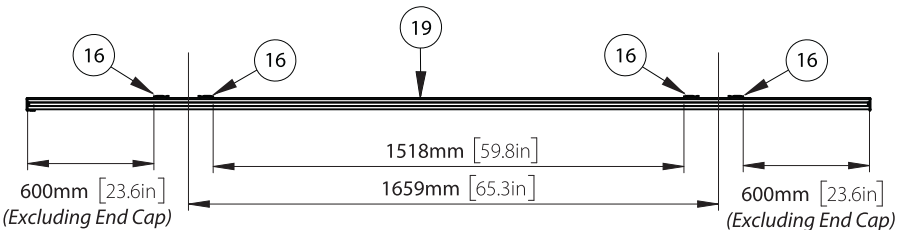


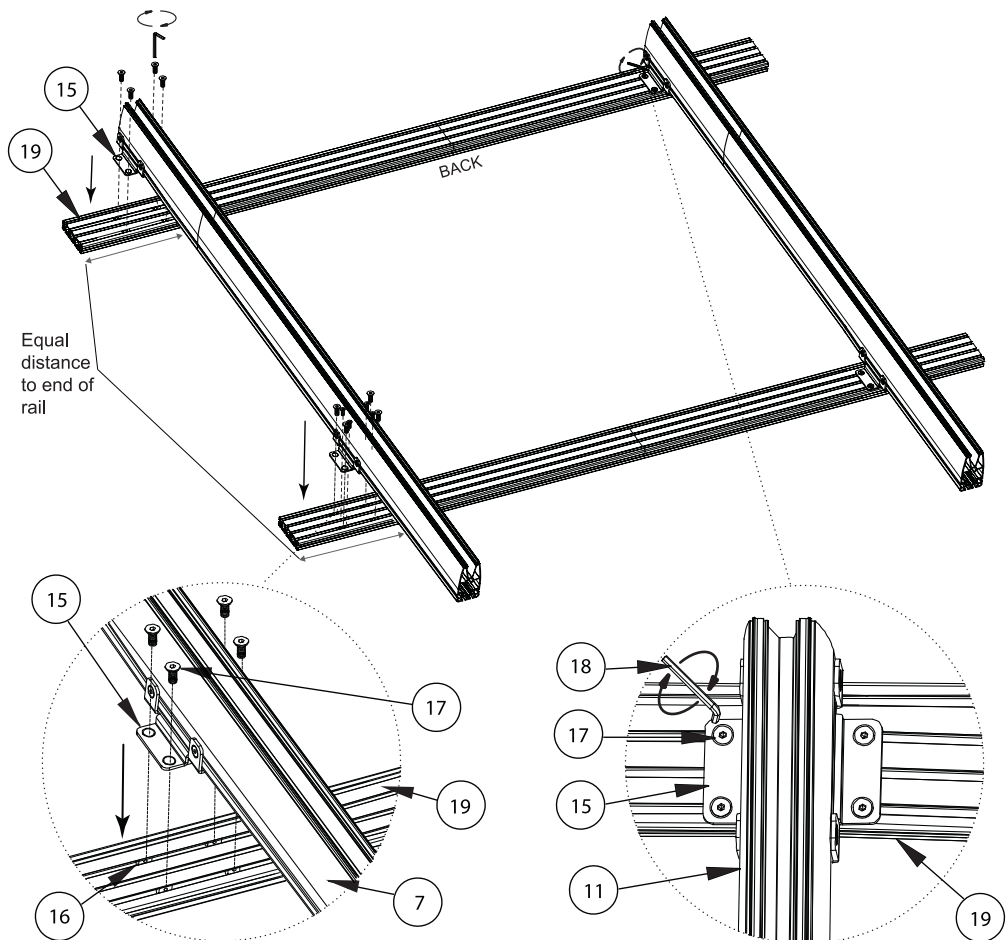
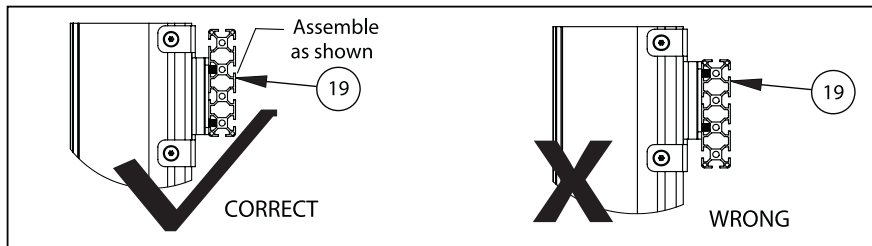
fig. 3



5. ATTACH COLUMNS TO RAILS

On the floor, place *items 7 & 11* onto *item 19*. Fix *item 15* to *item 19* by fastening *item 17* into *item 16*.

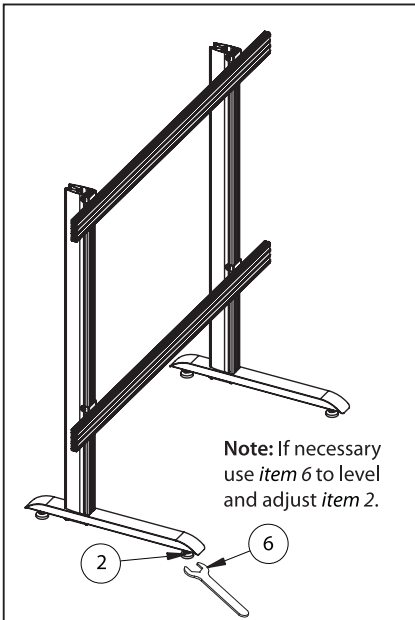
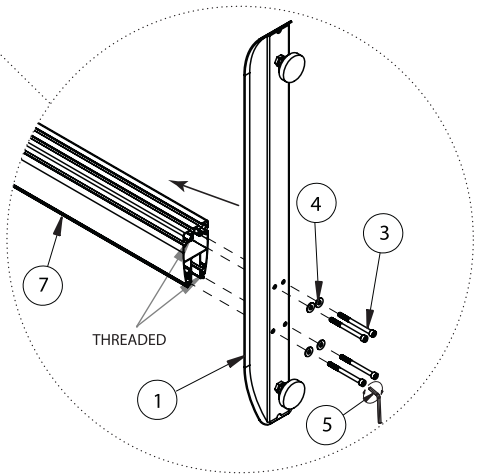
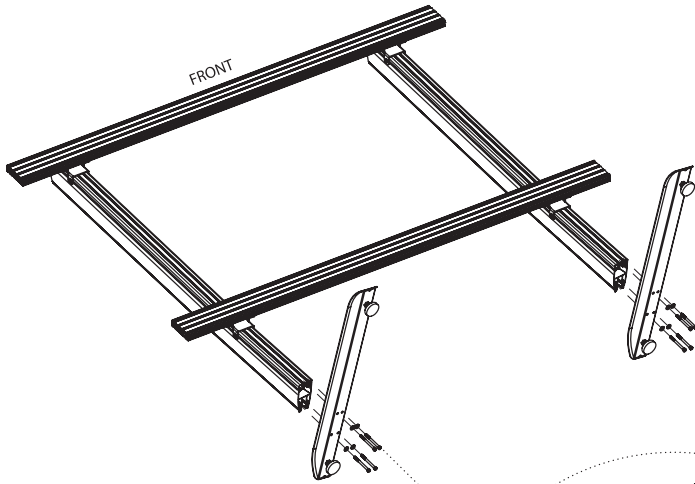
Note: To ensure straight assembly of *item 19* make sure the distance of *items 15* to the end of *item 19* are set the same on each rail.



6. ASSEMBLE BASES TO COLUMNS

Attach *item 1* to *item 7* using *items 3 & 4*.

Once bases are fixed to columns, return stand to upright position.



Note: If necessary
use *item 6* to level
and adjust *item 2*.

7. ATTACH SAMSUNG WALL PLATES TO TOP MOUNTING RAIL

- i. On the top rail, insert 24x item 23 into the top channel of item 19 (See **fig.4** for positioning of item 23).
- ii. Using items 23, 24 & 25, fix 4x items 22 (supplied with screen) to item 19.

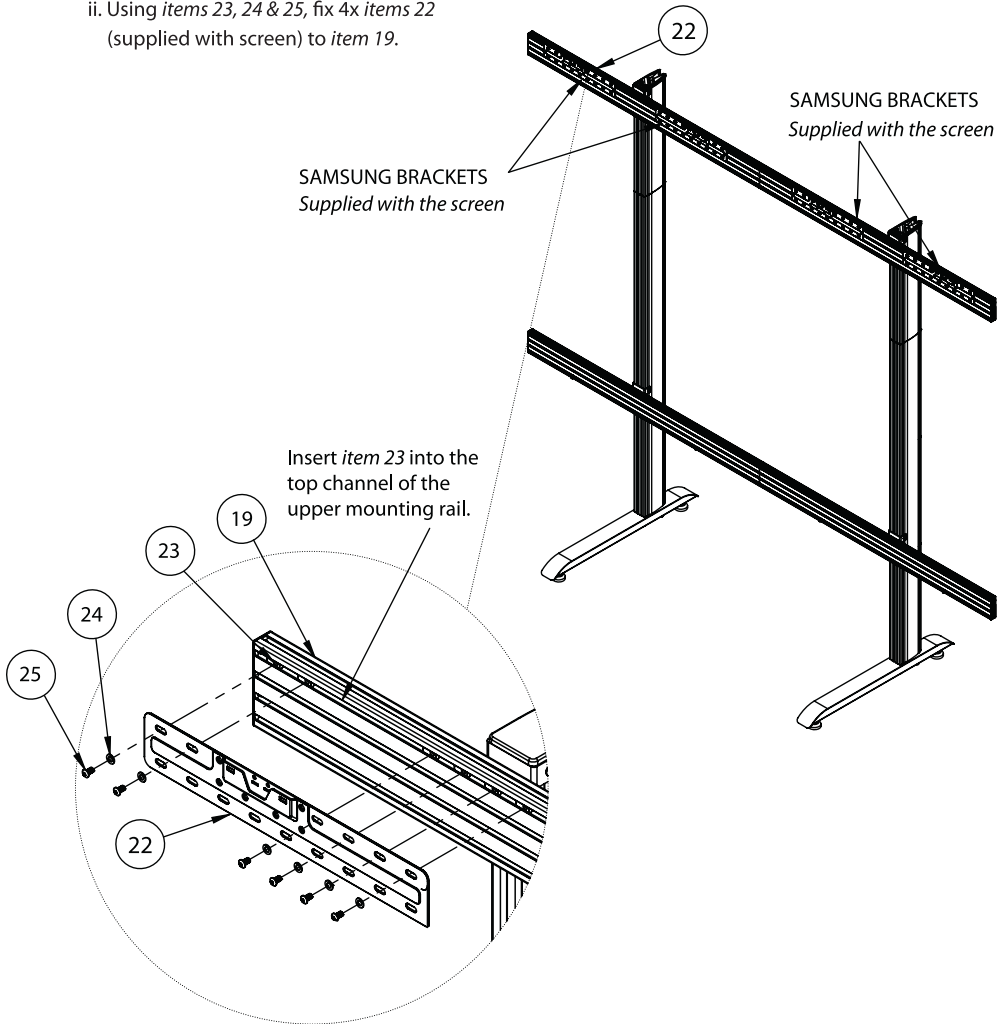
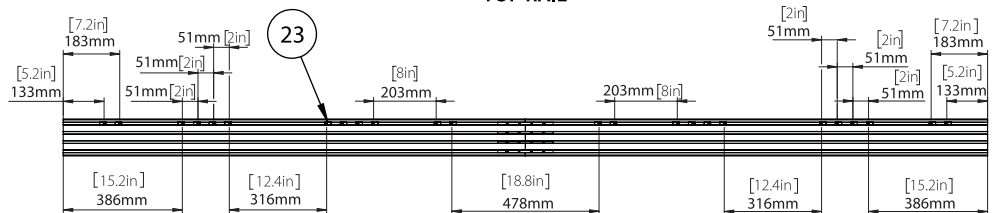


fig. 4

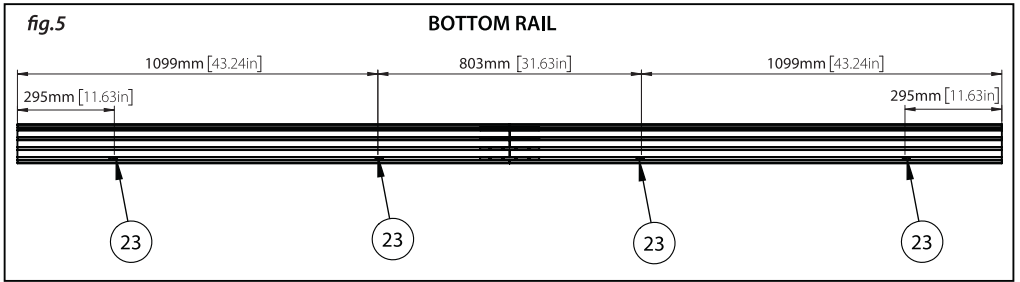
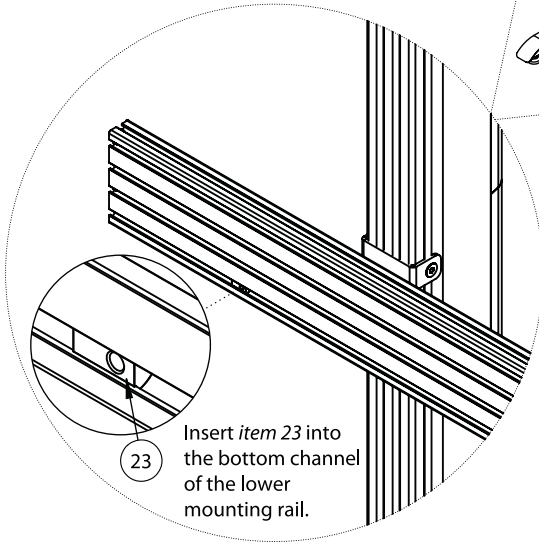
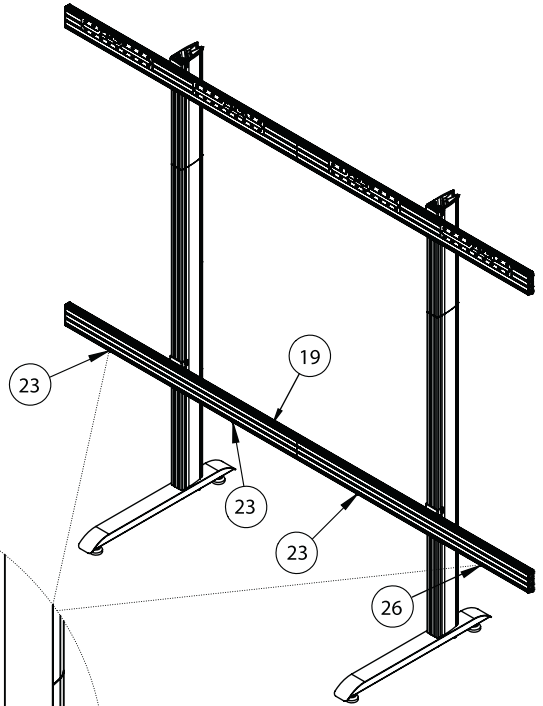
TOP RAIL



Note: See page 17 for Samsung wall plate (item 22) positioning

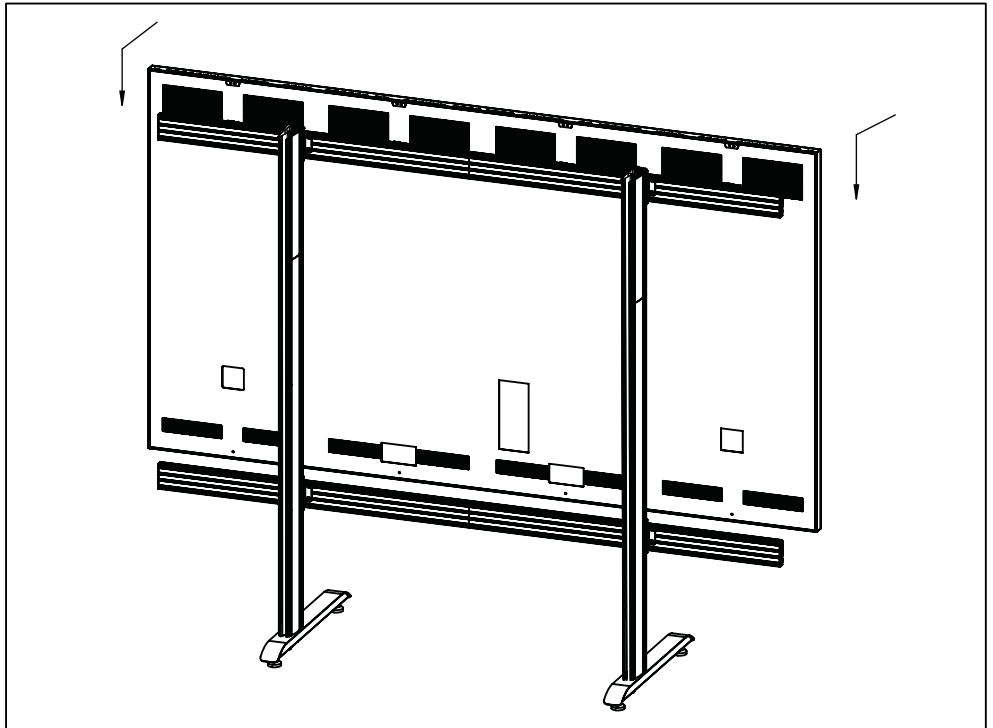
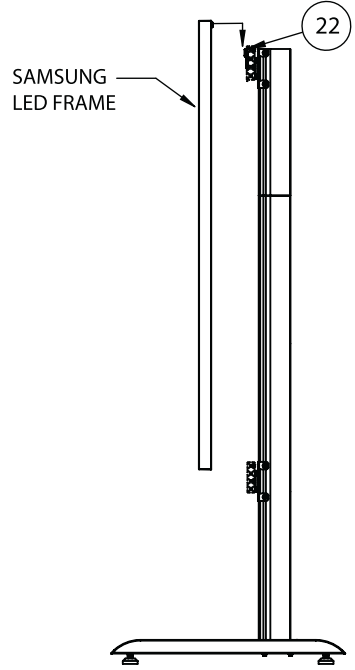
iii. On the lower rail, insert 4x *item 23* into the bottom channel of *item 19*.

Note: Refer to *fig.5* for the locations of *item 23*.



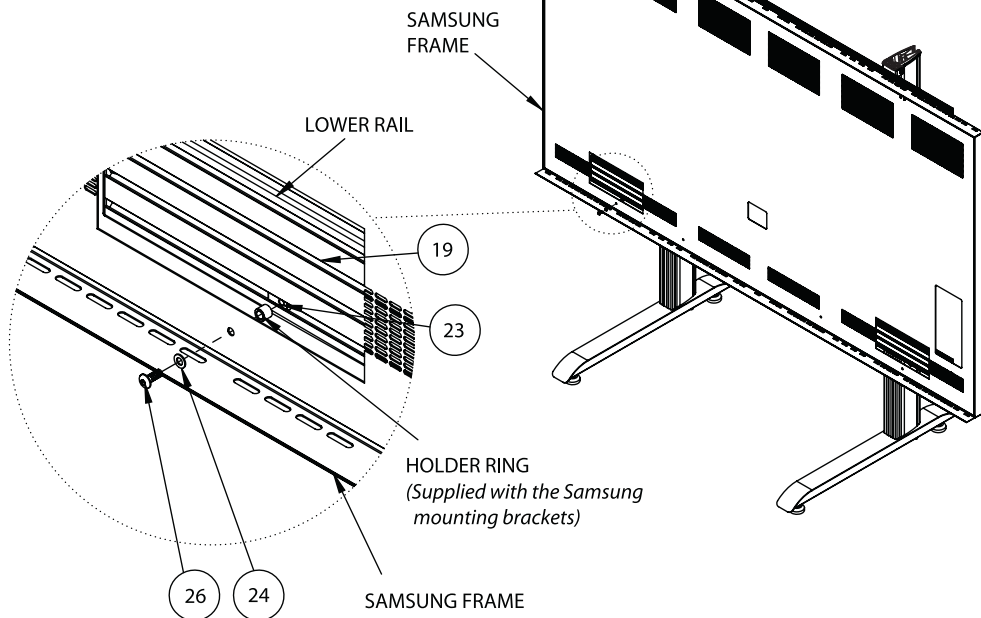
8. HOOK THE SAMSUNG FRAME ONTO STAND

- i. Following the installation instructions of the Display, hook the Samsung frame onto *item 22*.

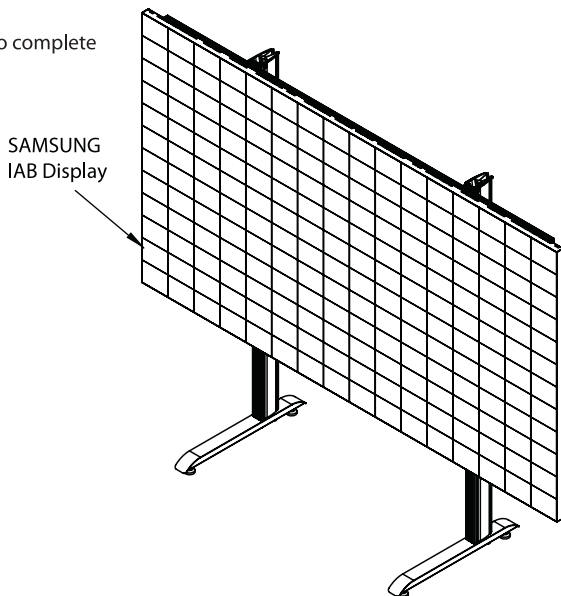


- ii. Fix the bottom of the frame to the lower rail (item 19) using items 23, 24 & 26 and the holder ring (supplied with the Samsung display*).

*Please refer to the display's assembly manual.

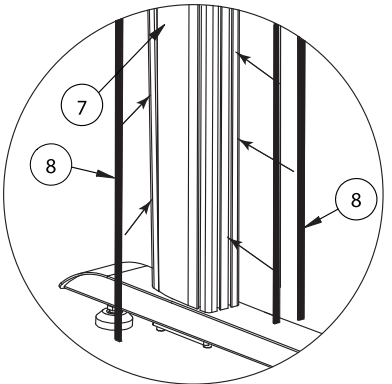
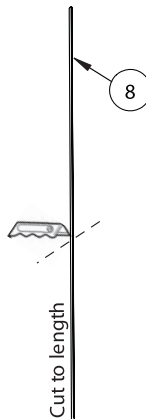
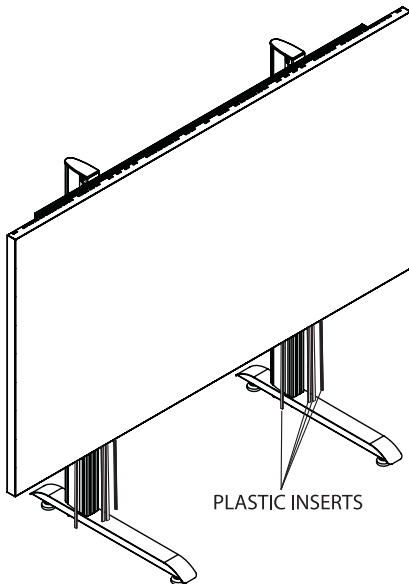
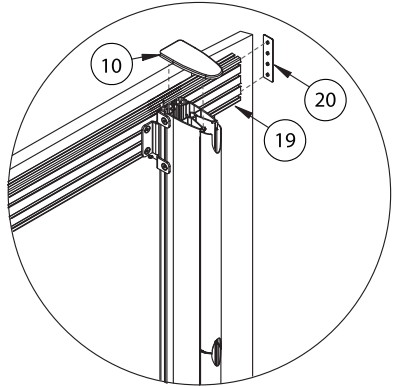
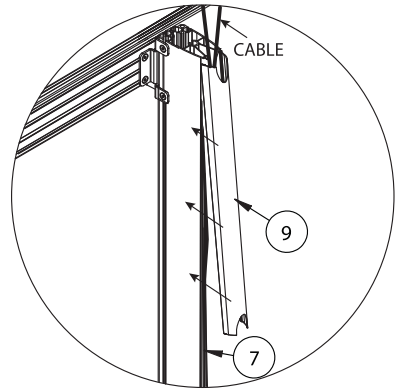
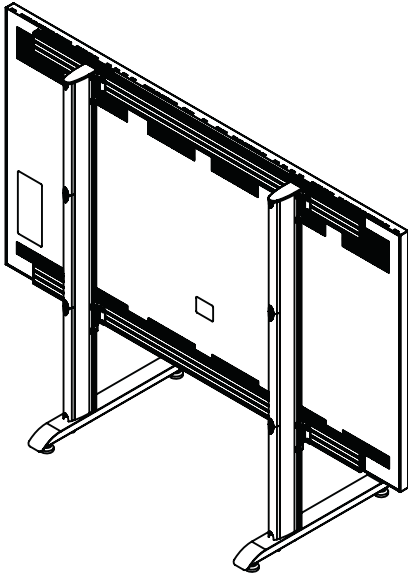


- iii. Follow the display's assembly manual to complete the screen installation.



9. ADD COVERS AND END CAPS

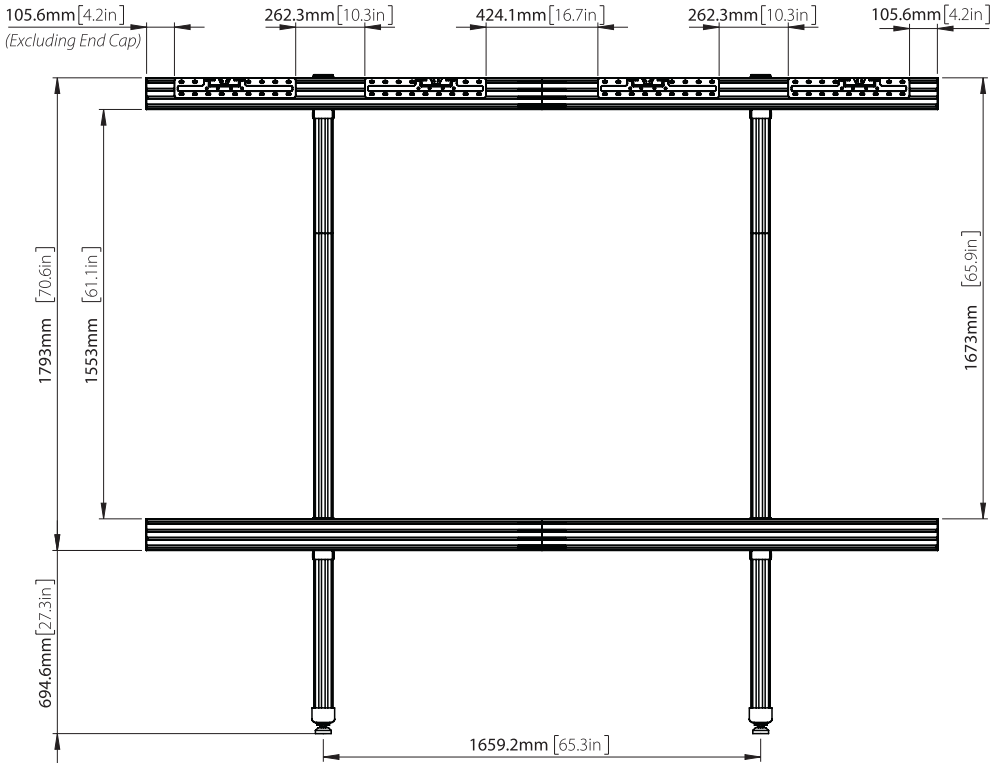
- i. After screen cables are connected and routed down the back of *item 7*, partially clip on the cable management *item 9*, this allows easy removal if more cables need adding. Once satisfied all cables are fitted, clip the covers on fully.
- ii. Fit *items 10* to the top of *item 7*.
- iii. Fit *items 20* to the ends of *item 19*.
- iv. With a knife, cut to length *item 8* and insert to the front and sides of *item 7*.



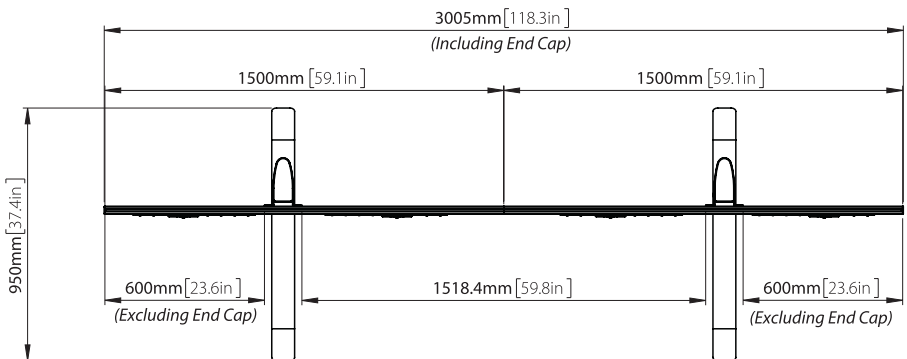
BT9370-SAM146 DIMENSIONS

PLEASE KEEP THIS FOR FUTURE REFERENCE

FRONT VIEW



TOP VIEW

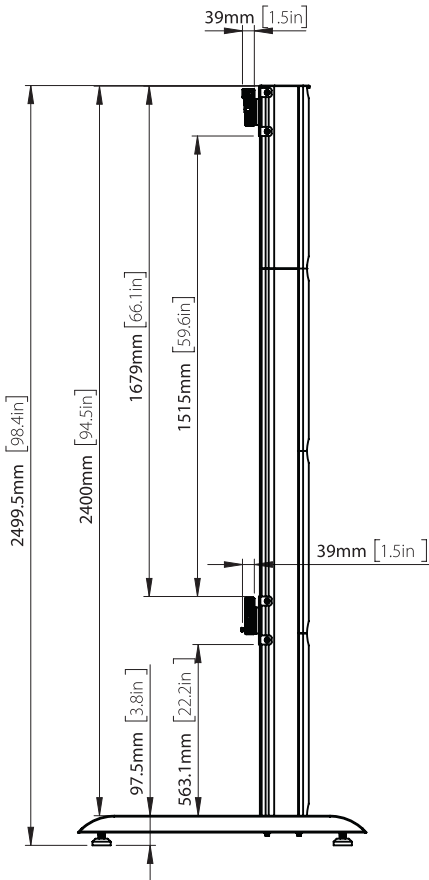


THESE INSTRUCTIONS ARE INTENDED AS A GUIDE ONLY AND B-TECH ACCEPTS NO LIABILITY FOR THE ACCURACY OF THE INFORMATION CONTAINED IN THIS DOCUMENT.

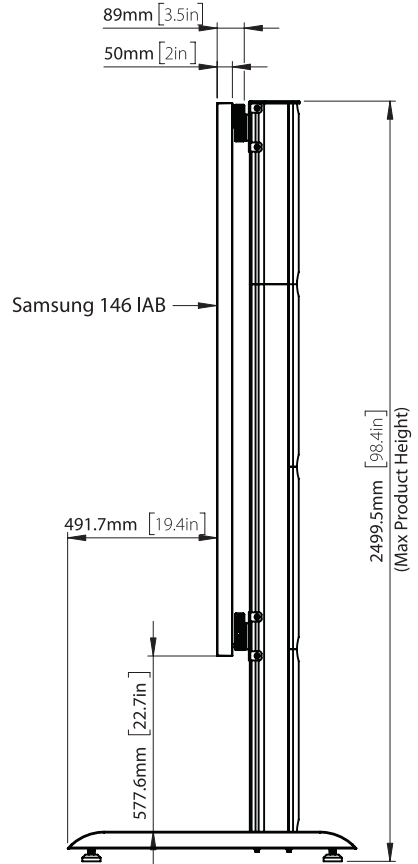
BT9370-SAM146 DIMENSIONS

PLEASE KEEP THIS FOR FUTURE REFERENCE

SIDE VIEW



SIDE VIEW
with Samsung 146" Display

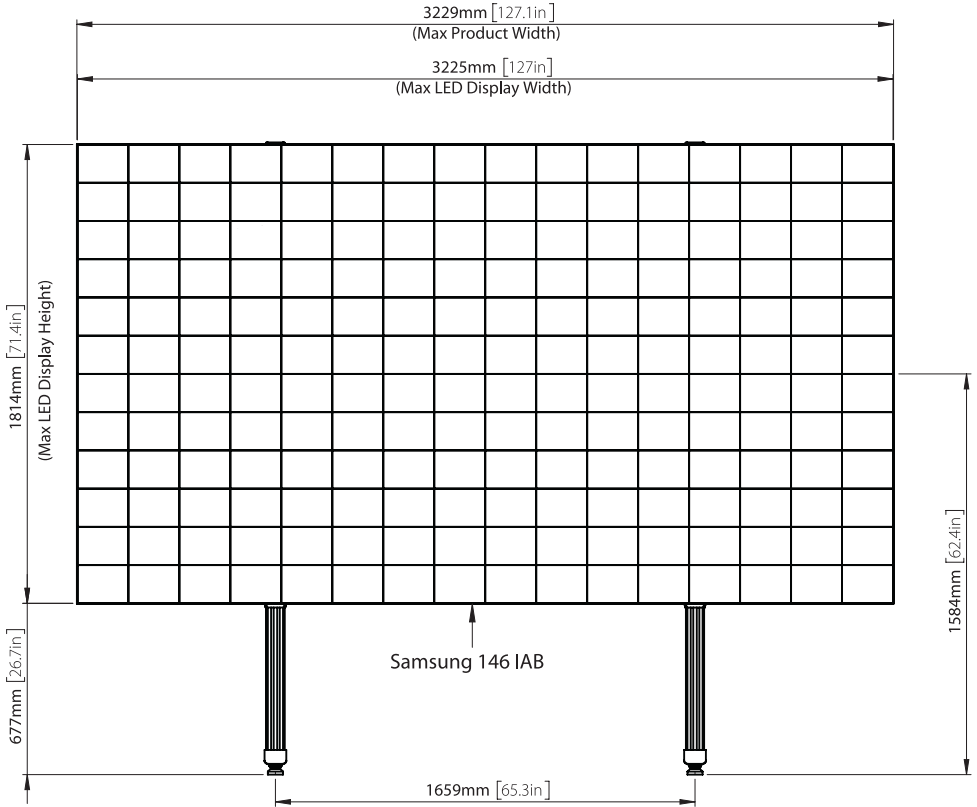


THESE INSTRUCTIONS ARE INTENDED AS A GUIDE ONLY AND B-TECH ACCEPTS NO LIABILITY FOR THE ACCURACY OF THE INFORMATION CONTAINED IN THIS DOCUMENT.

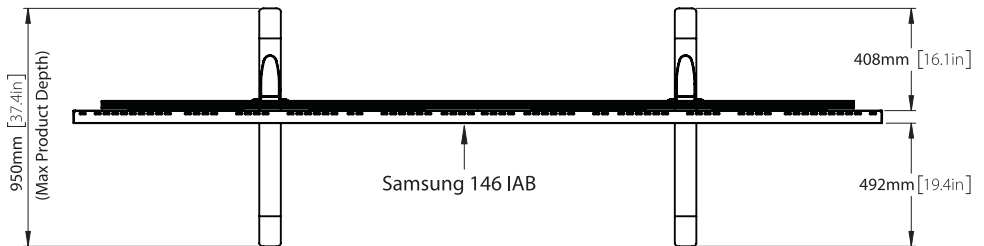
BT9370-SAM146 DIMENSIONS

PLEASE KEEP THIS FOR FUTURE REFERENCE

FRONT VIEW



TOP VIEW



THESE INSTRUCTIONS ARE INTENDED AS A GUIDE ONLY AND B-TECH ACCEPTS NO LIABILITY FOR THE ACCURACY OF THE INFORMATION CONTAINED IN THIS DOCUMENT.

B-TECH AV MOUNTS



CONTACT:

info@btechavmounts.com

©2023 B-Tech International Design and Manufacturing Ltd. All rights reserved.

B-Tech AV Mounts is a division of B-Tech International Design and Manufacturing Ltd.

B-Tech AV Mounts and the B-Tech logo are registered trade marks.

All other brands and product names are trademarks of their respective owners.

Photographs are for illustrative purposes only. E&OE.

AMA-BT9370-SAM146-V1-PROBX-0423-BTECH MADE IN VIETNAM



For More Information Visit www.btechavmounts.com