

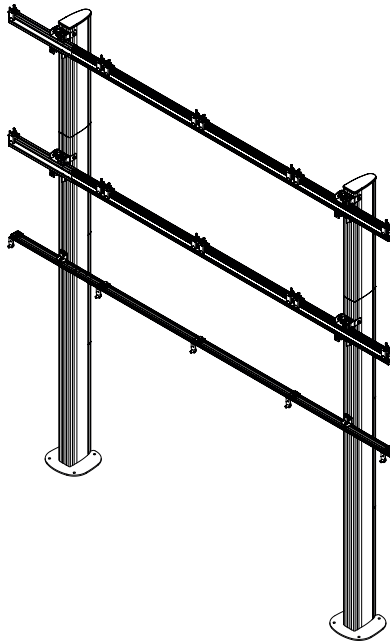
**BT9272**

SYSTEM  
**XPRESS**

# Universal Bolt-Down dvLED Stand

---

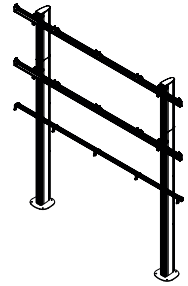
## Installation Guide



- Bolt down stand compatible with latching dvLED cabinets
- Suitable for rear mounted cabinets using M6, M8 or M10 fixings
- Height & depth adjustment: +/-5mm (0.2")
- Small footprint for an unobtrusive installation
- Simple 'Hook-on' installation



Installation Safety Notes	2
Parts List	4
Installation Instructions	6
Product Dimensions	22
B-Tech Contact Details	24



## Installation Safety Instructions



**Caution:** This mount is intended for use only with the maximum weights indicated. Use with equipment heavier than the maximum indicated may result in instability causing possible injury.

Do not attempt to install this product until all instructions and warnings have been read and properly understood. Please keep these instructions for future reference.

Please check carefully to make sure there are no missing or defective parts - defective parts must never be used. B-Tech AV Mounts, its distributors and dealers are not liable or responsible for damage or injury caused by improper installation, improper use or failure to observe these safety instructions. In such cases, all guarantees will expire.

### General

B-Tech AV Mounts recommends that a professional AV installer or other suitably qualified person install this product. Great care must always be taken during installation as most AV equipment is of a fragile nature, possibly heavy and easily damaged if dropped. If you do not fully understand the instructions or are not sure how to install this product safely, then please consult a professional for advice and/or to install this product for you. Failure to mount this product correctly may cause serious injury or death both during installation and at any time thereafter. Do not mount any AV equipment that exceeds the specific weight limit of the product you are installing. This weight limit will be clearly stated on each product and its packaging and will vary from product to product.

### Product location

Please pay careful attention to where this product is located. Designed for indoor use, this stand is suitable for public or home installation. Check load capacity of the floor prior to installation to ensure that it can support the combined weight of the equipment and hardware, some surfaces are not suitable for installation.

When verifying the stability of the structure, consider the following external factors: The strength of the floor, exposure to sudden and severe wind and danger arising from contact with people and / or objects (eg installations in passageways, emergency exits), if located in a public or frequently populated area ensure that the product is out of the immediate reach of people. When drilling holes it is essential to avoid contact with electrical cables and water or gas pipes contained within. Use of a good quality live wire detector and hidden object locator is therefore recommended. Only drill into structures when you are sure it is safe to do so.

### Fixing hardware

It is highly recommended that all fixing screws be used where supplied and that the purpose of all other fixing hardware is fully understood. In some cases more AV equipment fixing hardware will be supplied to accommodate different models of equipment and set up configurations. The installer must be satisfied that any supplied fixing hardware is suitable for each specific installation. The fixing kit supplied with the product may not be suitable for all walls. If any fixing screws or included hardware are deemed not sufficient for a safe installation then please consult a professional or your local hardware store.

### Hazard limitation

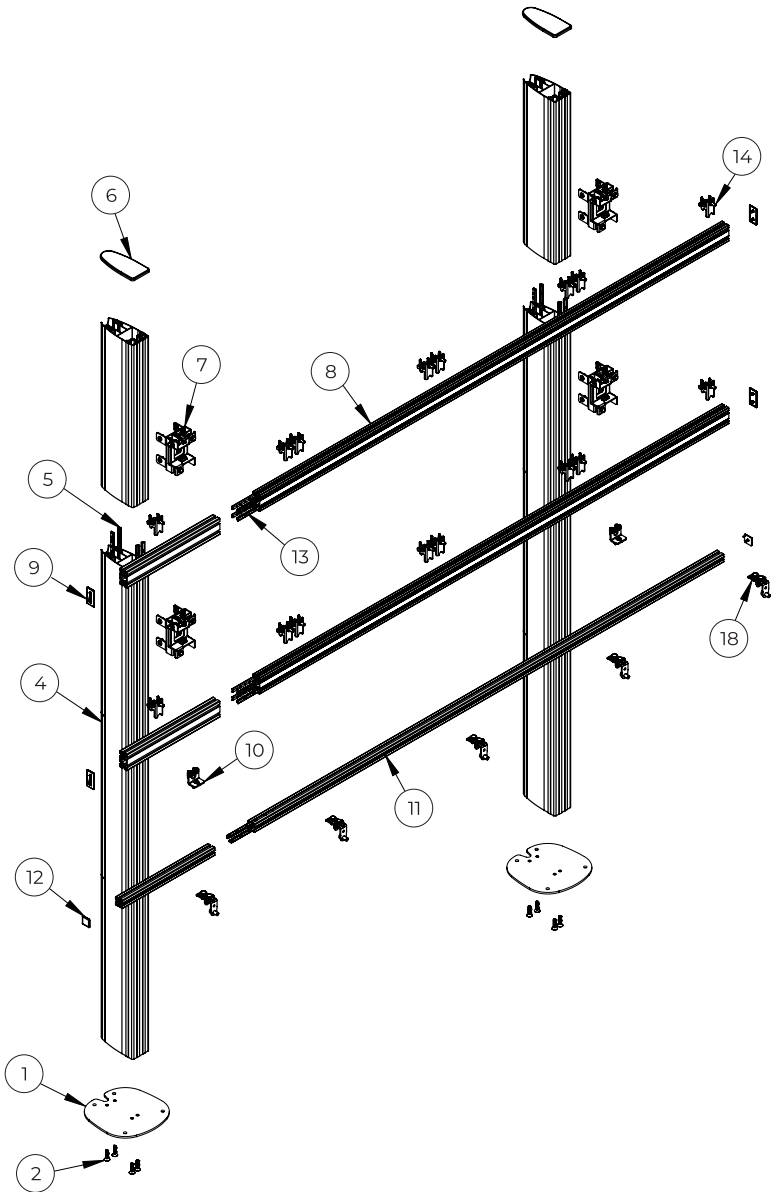
When routing cables take advantage of any built in cable management features that the product might provide and ensure that all cables are tidy and secure. Check to see that any moving aspect of the product can do so unhindered by any cabling. Some products have moving parts and the potential to cause injury through the crushing or trapping of fingers or other body parts. Particular attention to the nature of moving parts is required especially when assembling installing and adjusting during set up. Immediately after installation double-check that the work done is safe and secure. Double-check all necessary fixings are present and are of ample tightness. It is recommended that periodic inspections of the product and its fixing points are made as frequently as possible (no more than 6 months apart) to ensure that safety is maintained. If in doubt consult a professional AV installer or other suitably qualified person.

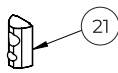
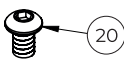
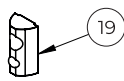
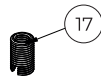
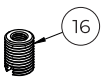
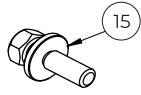
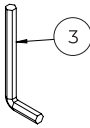
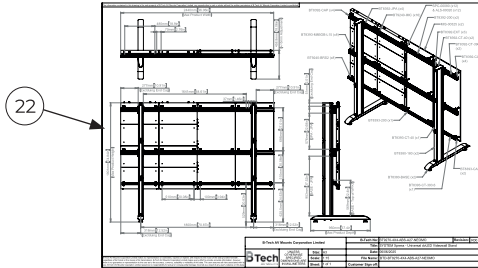
- CN B-Tech AV Mounts 建议本产品由专业AV安装人员或其他合格人员安装。B-Tech AV Mounts 及它的代理商、经销商不对由于不恰当的安装而造成的损失或伤害负责。本产品必须安装在合适的架构上，并仅用于不超过所标示的最大承重。
- CS Spoločnosť B-Tech AV Mounts doporučuje previesť instaláciu tohto produktu inštalátora AV či jinak spôsobilé osoby. Spoločnosť B-Tech AV Mounts a predajci distribútorí a predajci nenesú zodpovednosť za škody spôsobené nesprávnou alebo zranení z dôvodu nevhodnou inštaláciou. Tento výrobok je nutné umiestniť do vhodnej konštrukcie a používať ju po uvedenej maximálnej výške.
- DE B-Tech AV Mounts empfiehlt, dass dieses Produkt durch einen qualifizierten AV-Techniker oder eine andere Person mit geeigneter Qualifikation installiert wird. B-Tech AV Mounts, ihre Distributoren und Händler können nicht für durch fehlerhafte Montage verursachte Beschädigung oder Verletzung haftbar bzw. verantwortlich gemacht werden. Dieses Produkt muss auf einem geeigneten Untergrund montiert werden und darf nur bis zum angegebenen Höchstgewicht verwendet werden.
- EN B-Tech AV Mounts recommends that this product be installed by a qualified AV technician or other suitably qualified person. B-Tech AV Mounts, its distributors and dealers are not liable or responsible for damage or injury caused by improper installation, improper use or failure to observe these safety instructions. In such cases, all guarantees will expire. This product must be mounted on a suitable surface and may only be used up to the specified maximum weight.
- ES B-Tech AV Mounts recomienda que un instalador de audio y video profesional u otra persona debidamente cualificada instalen este producto. B-Tech AV Mounts, sus distribuidores y concesionarios no se hacen cargo ni se responsabilizan de ningún daño o lesión provocados por una instalación inapropiada. Este producto se debe montar en una estructura adecuada y se debe utilizar soportando solamente hasta el peso máximo indicado.
- FR B-Tech AV Mounts recommande de confier l'installation de ce produit à un installateur AV professionnel ou à une autre personne dûment qualifiée. B-Tech AV Mounts, ses distributeurs et ses revendeurs ne sauraient être tenus responsables de tout dégât ou de toute blessure résultant d'une installation incorrecte. Ce produit doit être monté sur un support approprié et utilisé dans la limite du poids maximum indiqué.
- IT B-Tech AV Mounts consiglia di affidare l'installazione di questo prodotto a un installatore specializzato o ad altra persona adeguatamente qualificata. B-Tech AV Mounts, i suoi distributori e rivenditori non accettano alcuna responsabilità nei riguardi di eventuali danni o infortuni causati da un'errata installazione. Questo prodotto deve essere fissato a una struttura idonea e utilizzato unicamente sino al peso massimo indicato.
- JP B-Tech AV Mounts はAV設置の専門家または適合した知識を備えた人が製品を設置することを推奨します。B-Tech AV Mountsと販売店、取引先はこうした安全指針に従わない場合に随伴される製品の損傷や傷害に対する責任を負いません。場合によって製品が設置されるに適していないところもあるので設置位置に特別な注意を傾けてください。この製品の位置に注意を傾けて設置に適していない壁があるかを確認してください。指定した重さ制限を超過するAV装備を装着しないでください。
- KR B-Tech AV Mounts 는 AV 설치 전문가 또는 적합한 지식을 갖춘 사람이 제품을 설치하도록 권장합니다. B-Tech AV Mounts 와 판매점, 거래처는 이러한 안전 지침을 따르지 않을 경우 수반될 제품의 손상이나 상해에 대한 책임을 지지 않습니다. 경우에 따라 제품이 설치되기에 적합하지 않은 곳들도 있으므로 설치 위치에 특별한 주의를 기울여 주시기 바랍니다. 제품의 설치 위치에 주의를 기울여 확인하십시오. 지정된 무게 제한을 초과하는 AV 장비를 장착하지 마십시오.
- NL B-Tech AV Mounts adviseert om dit product te laten installeren door een professionele AV-instalateur of andere hiervoor gekwalificeerde persoon. B-Tech AV Mounts, haar distributeurs en dealers zijn niet aansprakelijk of verantwoordelijk voor schade of letsel die is veroorzaakt door onoordeelkundige installatie. Dit product moet worden gemonteerd aan een geschikte constructie, waarbij het aangegeven maximum gewicht niet mag worden overschreden.
- PL Firma B-Tech AV Mounts zaleca, aby ten produkt był instalowany przez profesjonalnych instalatorów AV lub inny odpowiednio przeszkolony personel. Firma B-Tech AV Mounts, jej dystrybutorzy i dealerzy nie ponoszą odpowiedzialności za uszkodzenia lub obrażenia ciała powstałe w wyniku nieprawidłowej instalacji. Niniejszy produkt musi być amontowany na odpowiedniej powierzchni, a podczas użytkowania nie wolno przekraczać podanego maksymalnego obciążenia.
- PT A B-Tech AV Mounts recomenda que a instalação deste produto seja efectuada por um instalador de AV instalador de AV profissional ou outra pessoa devidamente habilitada. A B-Tech AV Mounts e os seus distribuidores e concessionários não são responsáveis por danos ou lesões causados por uma instalação incorrecta. Este produto tem de ser montado numa estrutura adequada e utilizado somente até ao peso máximo indicado.
- RU Компания B-Tech AV Mounts рекомендует, чтобы установка данного изделия производилась инженером по установке аудио-видеотехники или другим специалистом с соответствующей квалификацией. Компания B-Tech AV Mounts ее дистрибьюторы и дилеры не несут ответственности за повреждения или травмы, полученные в результате неправильной установки.

توصي بي-تك للتجارة الدولية المحدودة بأن شخص محترف في تركيب ال AV أو شخص مؤهل تأهيلا مناسباً لتركيب هذا المنتج. بي-تك للتجارة الدولية، موزعها والتجار ليست عرضة أو مسؤولة عن الأضرار أو الإصابات الناجمة عن تركيب غير سليم، والاستخدام غير السليم أو عدم مراعاة هذه التعليمات. يجب أن يتم تركيب هذا المنتج في بنية مناسبة ويجب استخدامه فقط لدعم الحد الأقصى للوزن المشار إليه.

# BT9272 Parts List

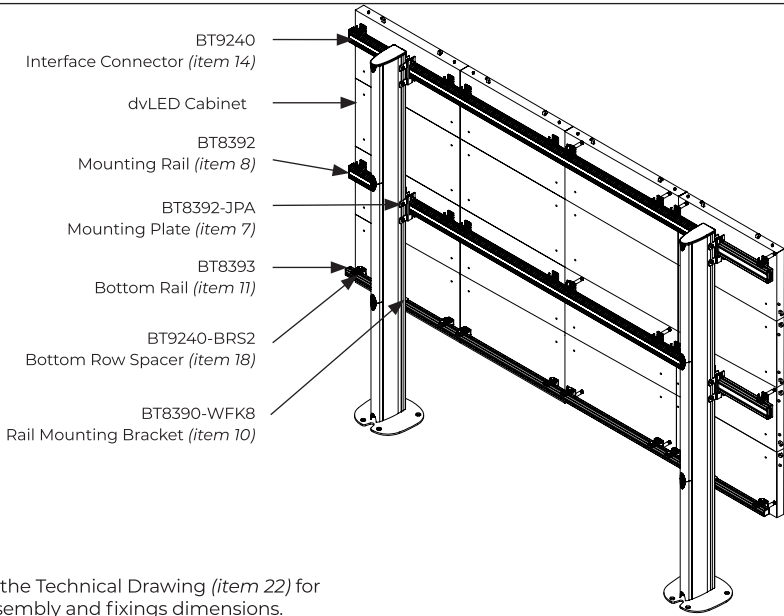
Please keep this for future reference





Item	Part number	Description
1	BT8380-FFB	Base
2		M8 x 35mm CSK Hex Screw
3		5AF Hex Key
4	BT8390	Vertical Column
5		Joining Bar
6		Column End Cap
7	BT8392-JPA	Mounting Plate for BT8392 Rails
8	BT8392	Mounting Rail 60x30mm
9		Rail End Cap 60x30mm
10	BT8390-WFK8	Rail Mounting Bracket
11	BT8393	Mounting Rail 30x30mm
12		Rail End Cap 30x30mm
13	BT8392-EXT	Rail Joiners
14	BT9240-IMC	Interface Mounting Connector
15	BT9240-BOB	Precision Adjustment Pin
16		M6 to M10 Threaded Insert
17		M6 to M8 Threaded Insert
18	BT9240-BRS2	Bottom Row Spacer
19	Fixing Kit	M8 Insert Nut
20		M8 x 12mm Hex Screw
21		M6 Insert Nut
22	BT9270	Technical Installation Drawing

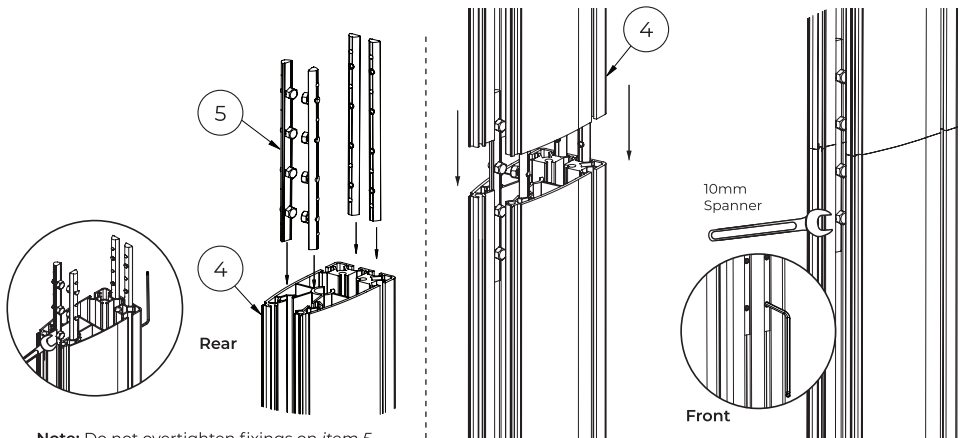
# Typical Installation



# Installation Instructions

## Extending Vertical Columns

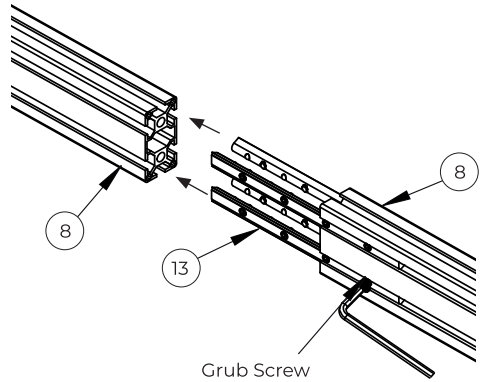
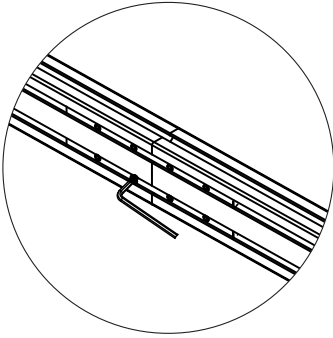
- i. Insert *item 5* halfway into the bottom column and loosely fit in place. Insert 2x *item 5* with the grub screws into the front of the column and 2x *item 5* with the hex bolts into the back of the column.
- ii. Once joining bars have been loosely fixed, fit the top column onto *items 5*.
- iii. Tighten all fixings. Use a 10mm spanner to tighten the hex bolts on the rear of column.



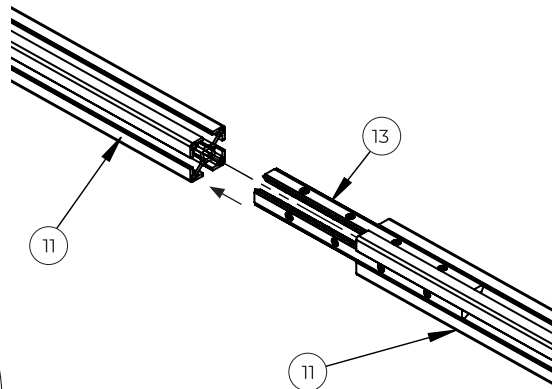
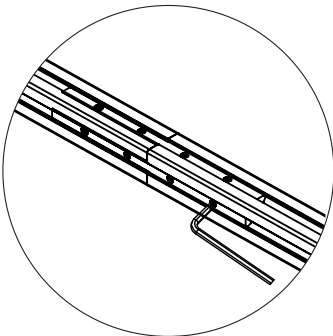
### Extending Mounting Rails

To increase the length of the rails, use *item 13* to join 2x *item 8* together.

Insert *item 13* halfway into each channel on the front and back of *item 8* and loosely fix in place (*do not overtighten*). Fix another rail onto *item 13* connecting the two rails and fully tighten all the grub screws.



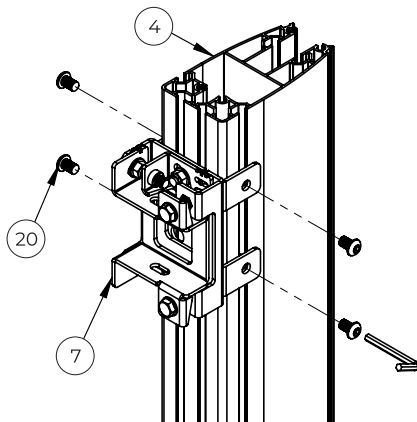
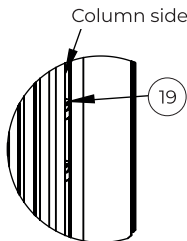
### Bottom Rail



## Rail Assembly - Option 1

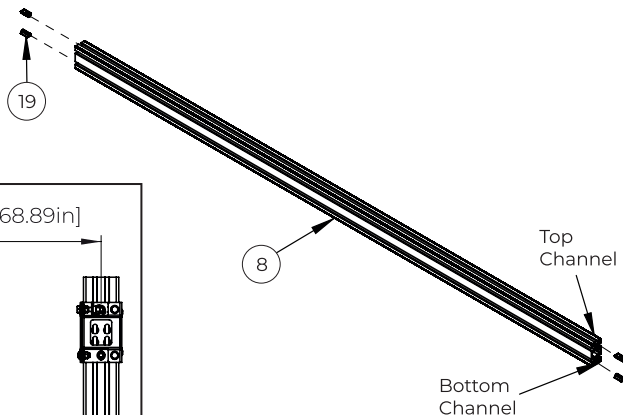
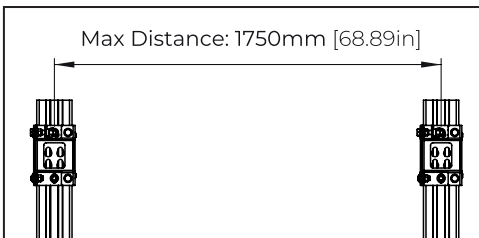
### 1. Attach Mounting Plate to Column

- i. Insert 2x *item 19* into the side channel of *item 4* and attach *item 7* to the column using *item 20*.

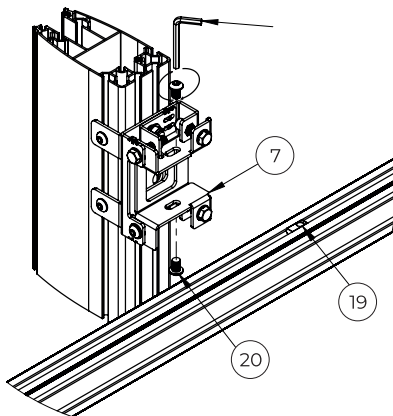
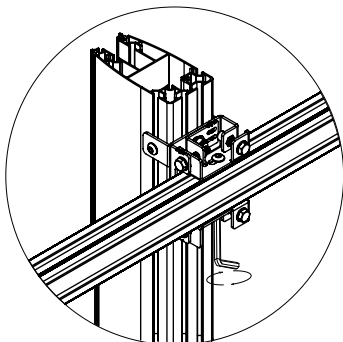


- ii. Insert *item 19* into the top and bottom channels of *item 8*

**Note:** The max distance between columns is 1750mm (69").



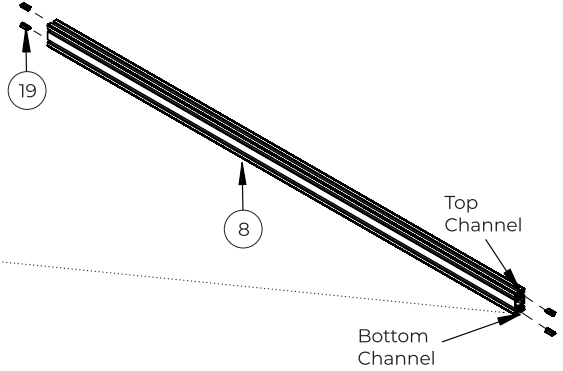
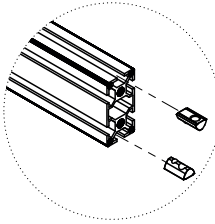
- iii. Attach the *item 8* to *item 7* using *items 19 & 20*.



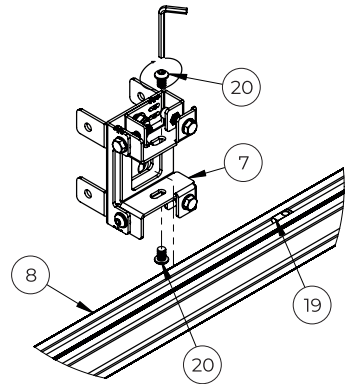
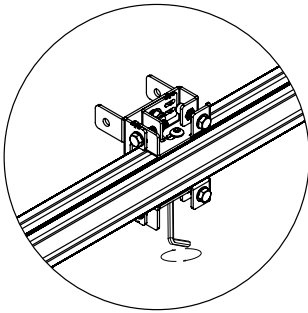
## Rail Assembly - Option 2

### 1b. Attach Mounting Plate to Rail

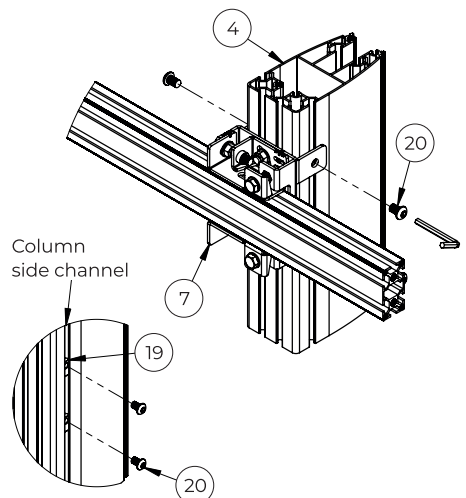
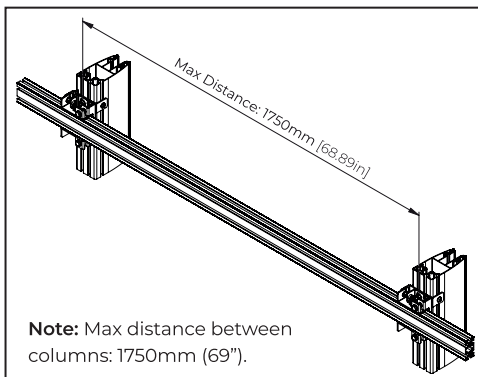
- i. Insert *item 19* into the top and bottom channels of *item 8*.



- ii. Attach *item 7* to *item 8* using *items 19* & *20*.



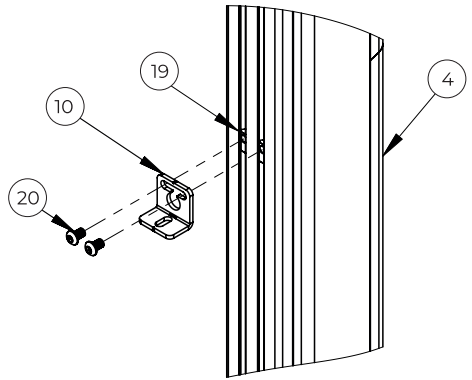
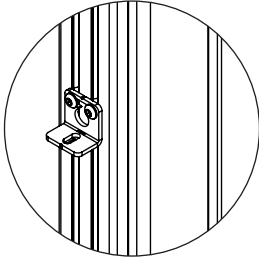
- iii. Insert 2x *item 19* into each side channel of *item 4* and attach *item 7* to the column using *item 20*.



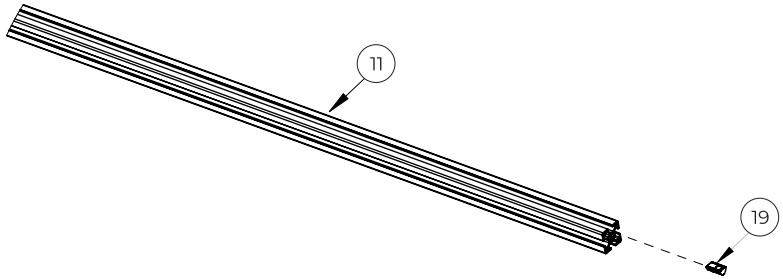
## Bottom Rail Assembly - Option 1

### 2a. Attach Rail Mounting Bracket to Column

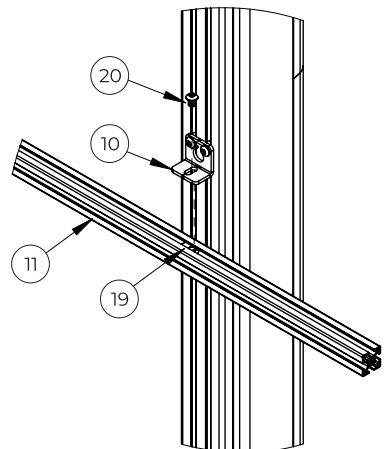
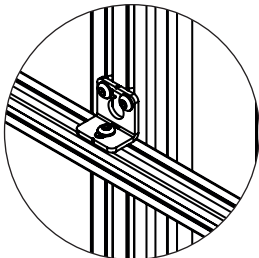
- i. Insert *item 19* into the front channels of *item 4* and attach *item 10* to the column using *item 20*.



- ii. Insert 1x *item 19* into the top channel of *item 11*.

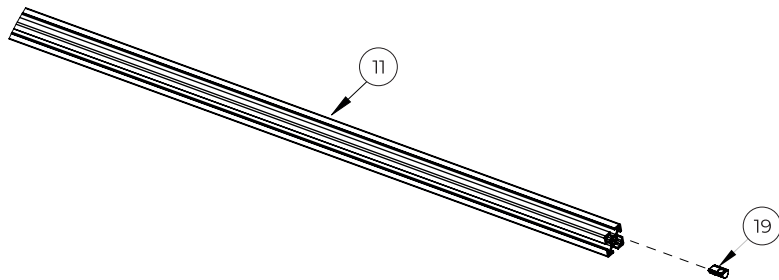


- iii. Attach *item 11* to *item 10* using *item 20*, securing the bottom rail to the column.

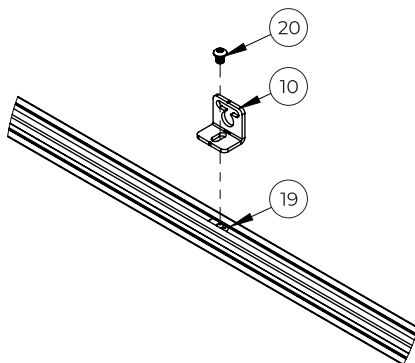
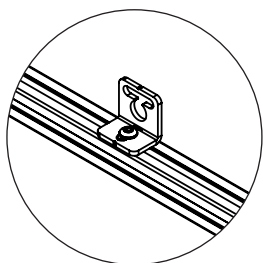


## 2b. Attach Rail Mounting Bracket to Rail

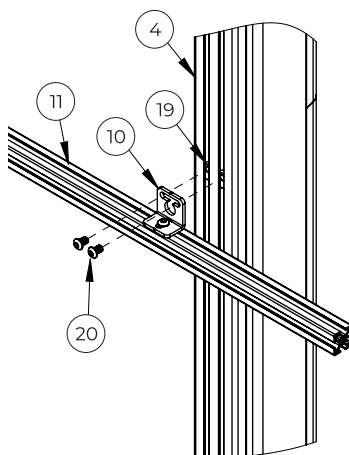
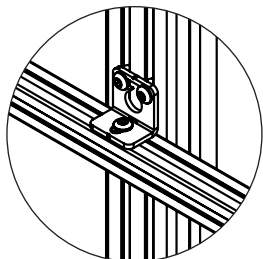
i. Insert 1x *item 19* into the top channel of *item 11*.



ii. Fix *item 10* to *item 11* using *item 20*.

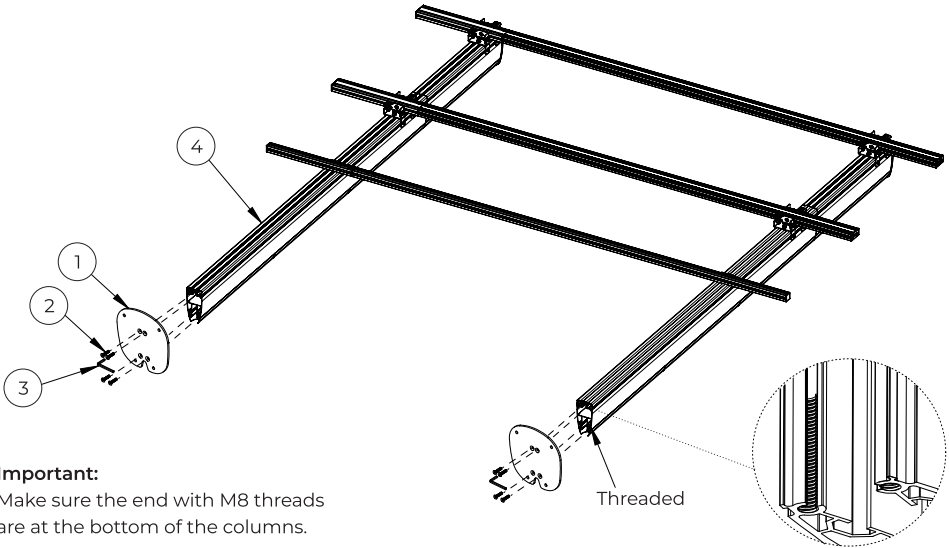


iii. Attach *item 10* to *item 4* using *item 20*,  
securing the bottom rail to the column.



### 3. Fix Bases To Columns

- i. Lay columns on the floor and attach *item 1* to the bottom of *item 4* using *item 2*.

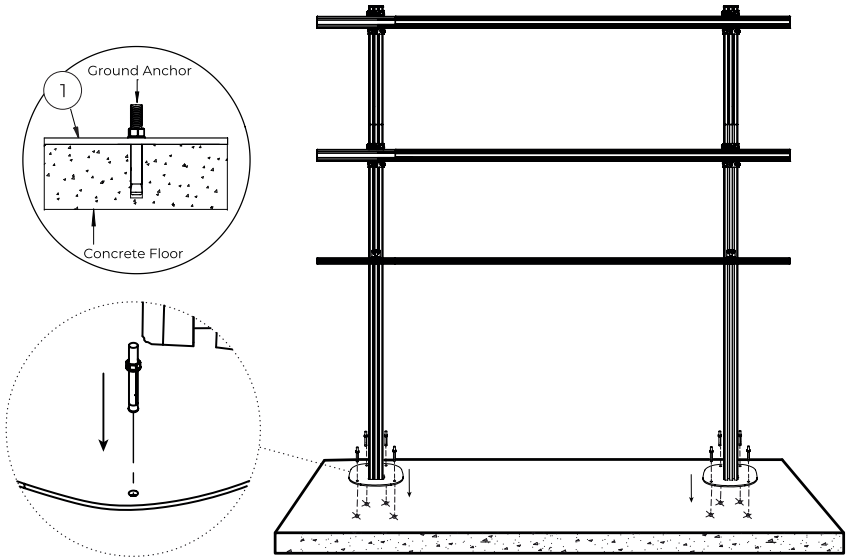


**Important:**

Make sure the end with M8 threads are at the bottom of the columns.

### Bolt Stand To The Floor

- ii. Pre-drill holes in floor and using suitable ground anchor fixings (*not supplied*), fix stand to floor.



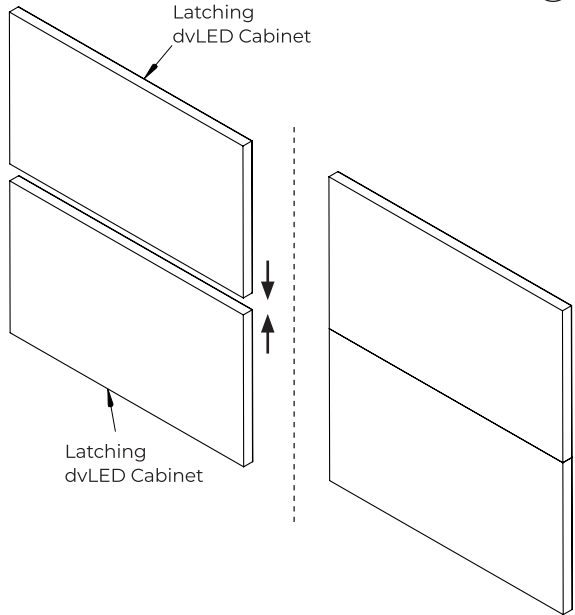
## 4. Assemble dvLED Cabinets

1

### 1x2 Process

Start facing the front - left to right, bottom row first.

- i. Connect the two cabinets securely together using the locking mechanism.



### Warning!

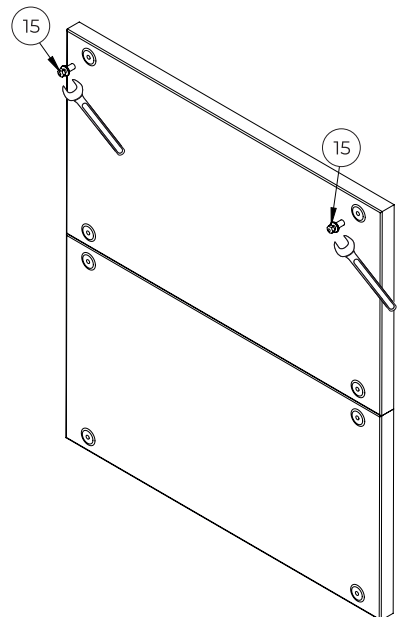
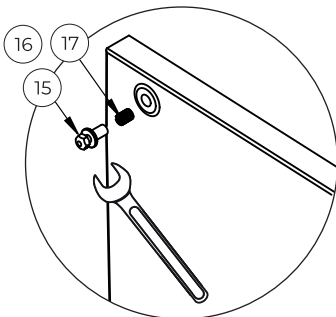
The sequence of assembly should be Bottom row left to right (when looking from the back), Top row left to right.

### Attach Bobbins To Back Of Cabinet

- ii. Fit 2x *item 15*\* into the top cabinet mounting holes and tighten securely.

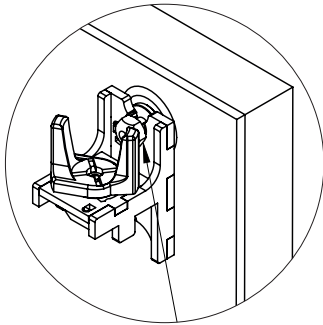
**Note:** Screw into the top row only.

\*Use *item 16* or *item 17* with *item 15* if the cabinet hole fixings are M8 or M10.

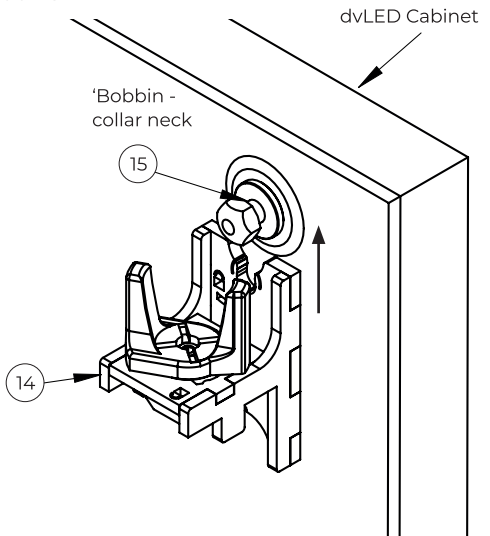


## Clip Interface Mounting Connector Onto Bobbins

- iii. Slide *item 14* upward and “click” onto the neck of *item 15*.



“Click”  
Self-hold design

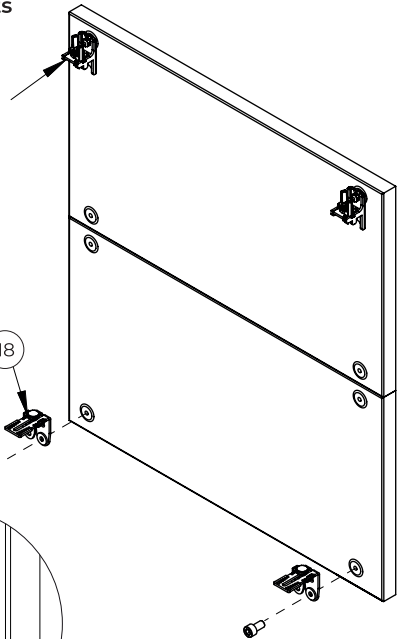


**Note:** After *item 14* has been clicked onto *item 15*, the connector should automatically stay vertical and ready to hook onto the mounting rail.

## Fix Bottom Row Spacers To The First Set Of Cabinets

### Connect 2x Bottom Row Spacer

- iv. Screw 2x *item 18* into the bottom row of the bottom cabinet using the appropriate size screws.

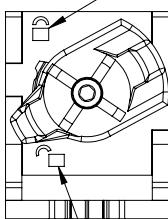


### Interface Mounting Connector

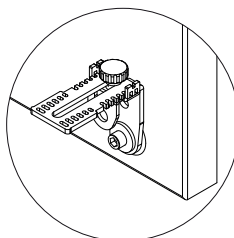
#### Warning!

When mounting cabinets, ensure the Locking Knob on *item 14* is in the ‘Unlocked’ position.

Locked Position



Unlocked Position

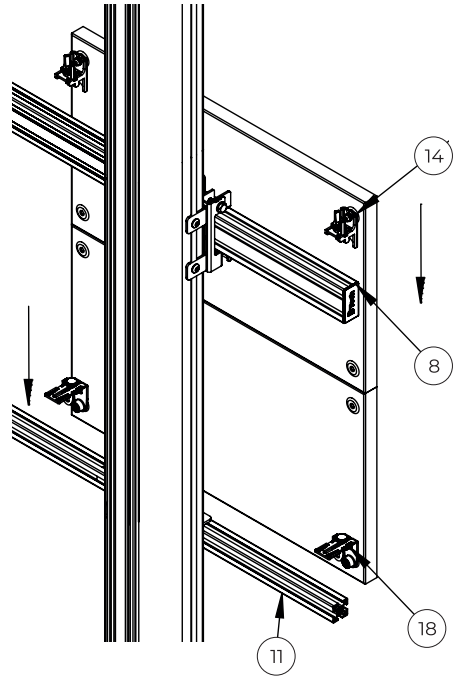
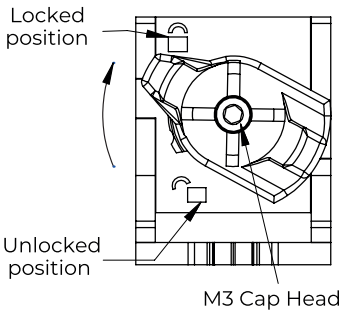


M6 / M8 / M10

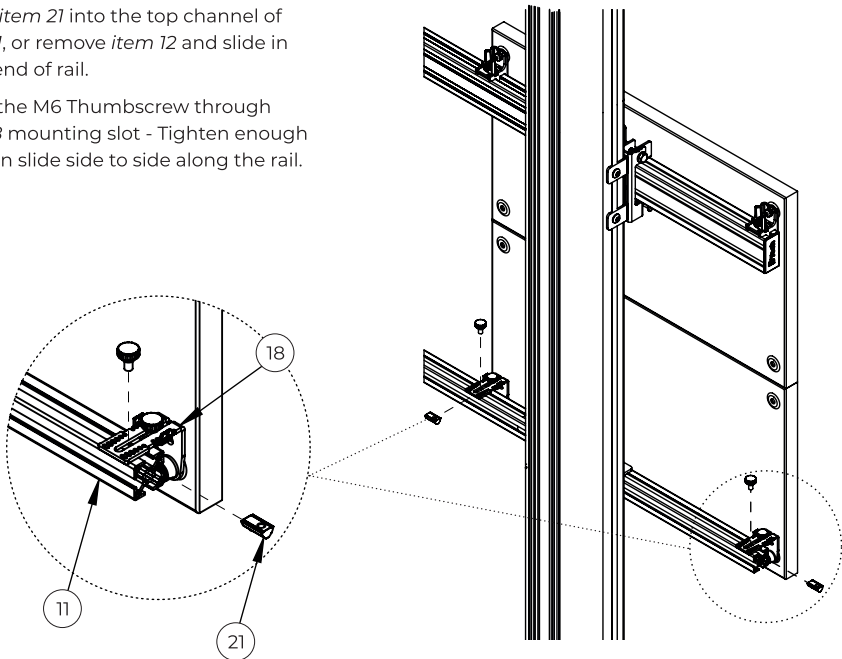
## 5. Prepare Bottom Row Spacers

- i. Lift and lower the cabinet assembly onto the bottom left hand side (from front) of items 8 & 11.
- ii. Adjust to cabinets to desired position by lightly lifting and sliding.
- iii. Once at desired position, twist lever on top of item 14 to lock in position.

### Interface Mounting Connector



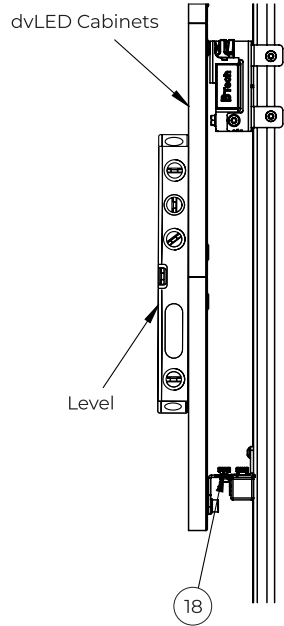
- iv. Insert item 21 into the top channel of item 11, or remove item 12 and slide in from end of rail.
- v. Screw the M6 Thumbscrew through item 18 mounting slot - Tighten enough so it can slide side to side along the rail.



- vi. Loosen thumbscrew on *item 18* and adjust spacer to create a vertically level monitor face.

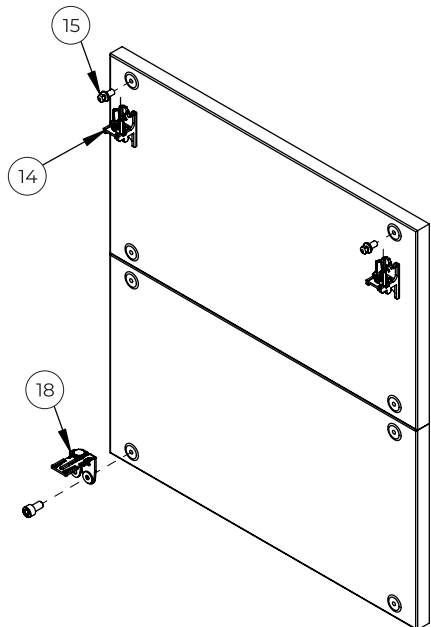
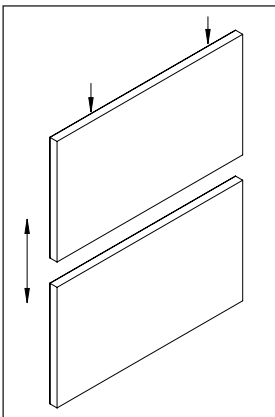
**Note:** Use a spirit level to gauge squareness.

- vii. Once level, tighten the thumbscrew on *item 18*.



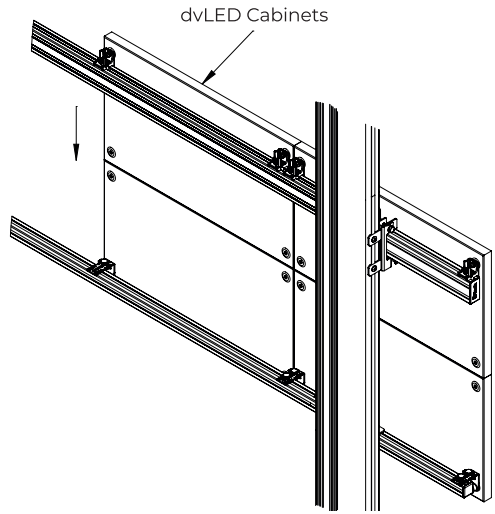
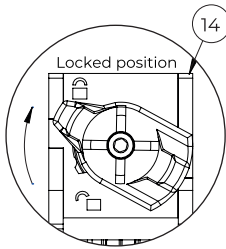
## 6. Assemble Bottom Row Of Cabinets

- i. Using *item 15* fit 2x *item 14* into the top fixing holes of the remaining bottom row of cabinets and 1x *item 18* to the bottom left hole on each set of cabinets.



## Assemble 1x2 (2nd Set)

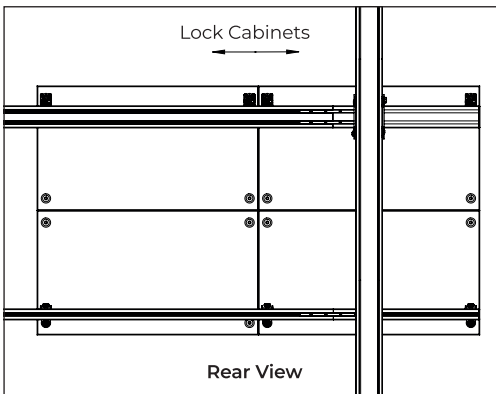
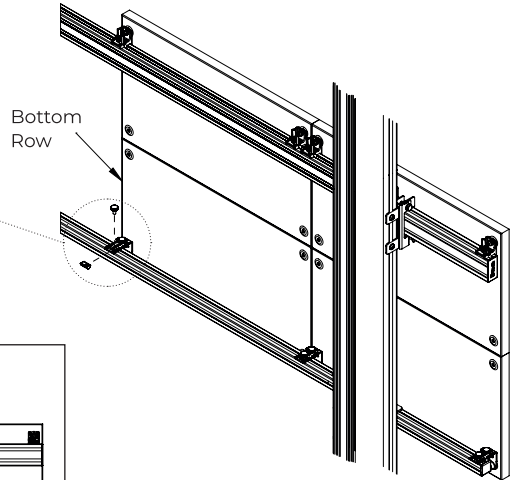
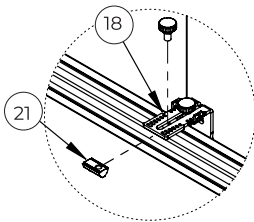
ii. Hook On The 2nd Cabinets (1x2 Set)



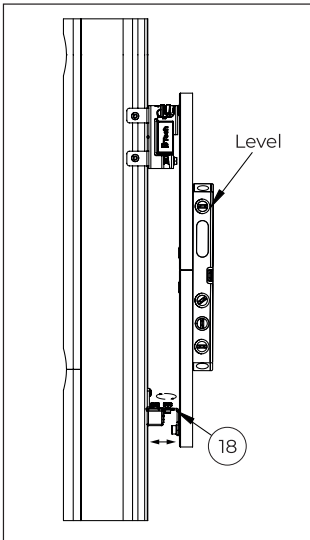
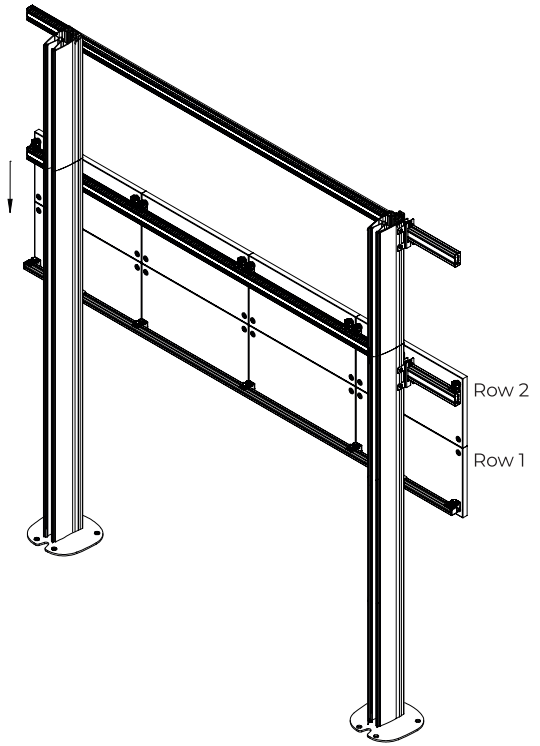
### Important:

The sequence of assembly should be bottom row left to right (when looking from the back).

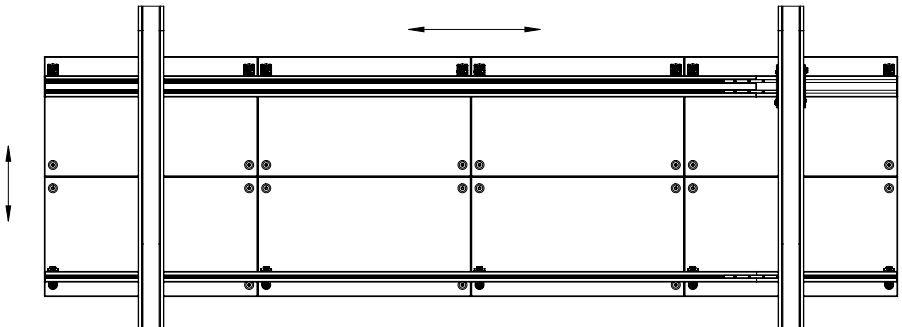
iii. Insert *item 21* into the top channel of *item 11* and screw the M6 thumbscrew through *item 18* mounting slot



iv. Lock cabinets together horizontally using the locking mechanism. Then square vertically.



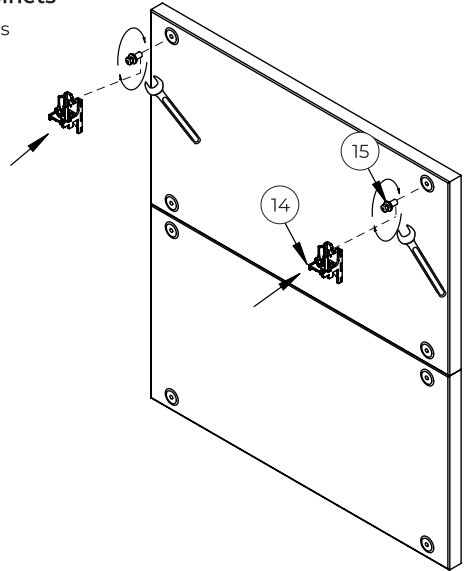
Connect cabinets securely together.



## 7. Assemble 2nd Set Of Upper Row Of Cabinets

i. Using *item 15* fit *item 14* to the top fixing holes of the next row cabinets.

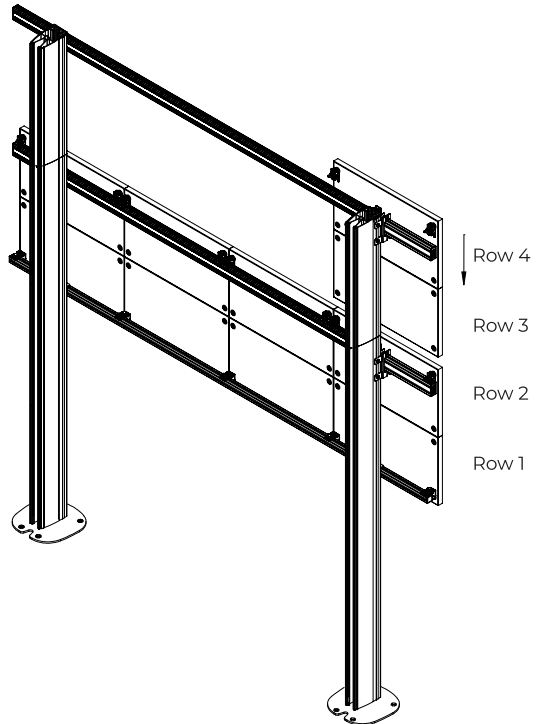
**Note:** Bottom row spacers (*item 18*) are not required for the upper rows of cabinets.



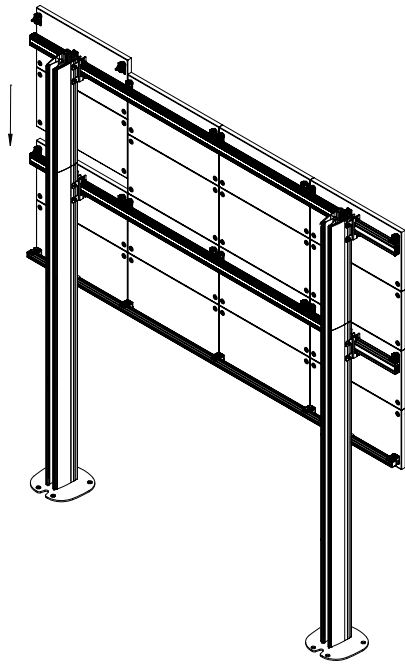
ii. Hook the upper row of cabinets onto the rail.

### **Important:**

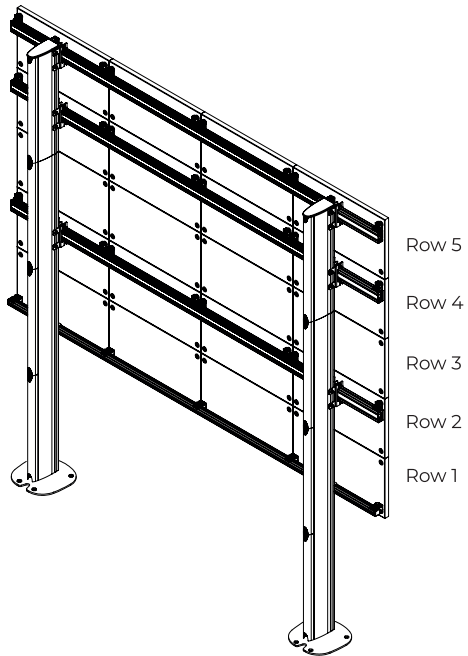
The sequence of assembly should be left to right (when looking from the back).



iii. Assemble 1x2 (6th, 7th & 8th Set)

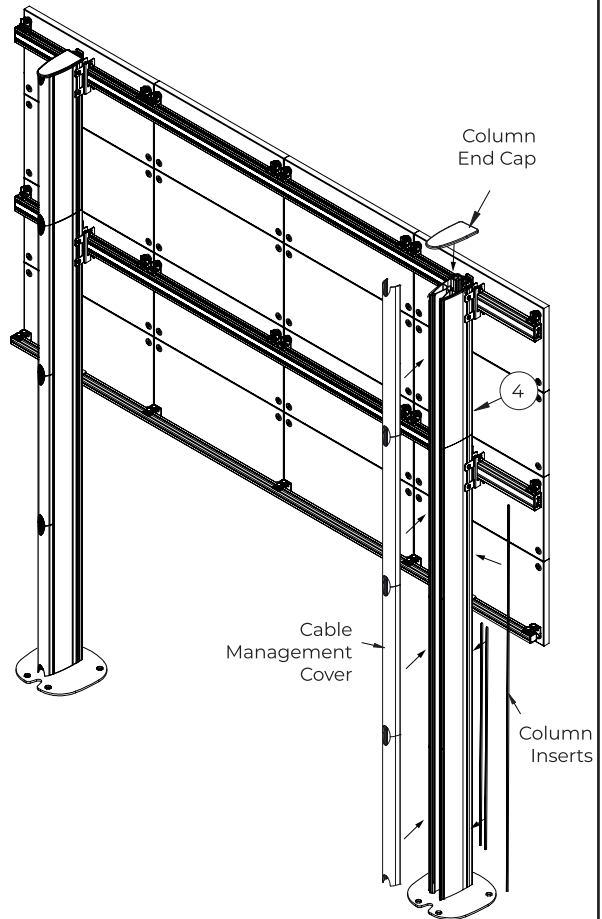
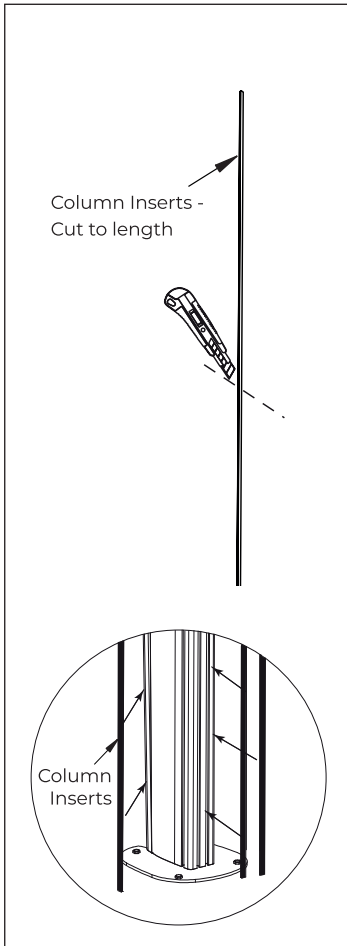


**Note:** For odd numbered rows, add 1 row of single cabinets, to the top row. Bottom row spacers are not required.



## 8. Add End Caps And Covers

- i. After display cables are connected and routed down the back of *item 4*, partially clip on the cable management covers this allows easy removal if more cables need adding. Once satisfied all cables are fitted, clip cover on fully.
- ii. Fit the Column End Cap to the top of *item 4*.
- iii. With a knife, cut to length the plastic column inserts *item* and fit into the front and side channels of the column.

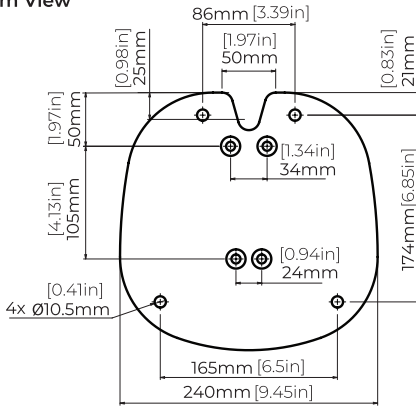


# BT9272 Dimensions

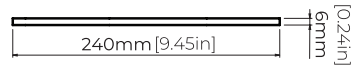
Please keep this for future reference

## BT8380-FFB - Floor Base

Bottom View

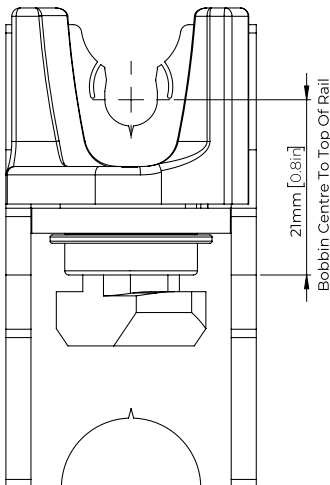


Side View

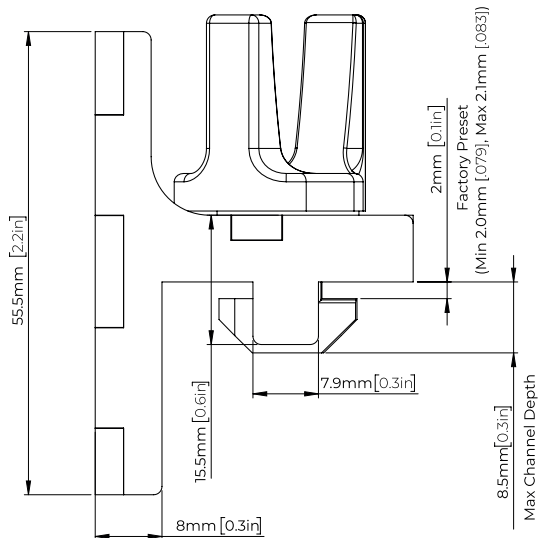


## BT9240-IMC - Interface Mounting Connector

Rear View



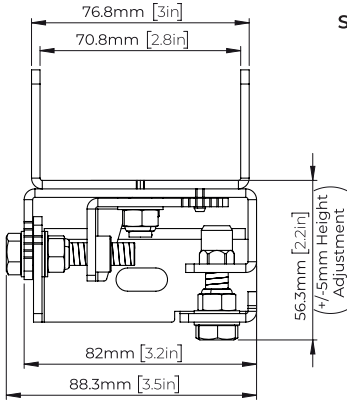
Top View



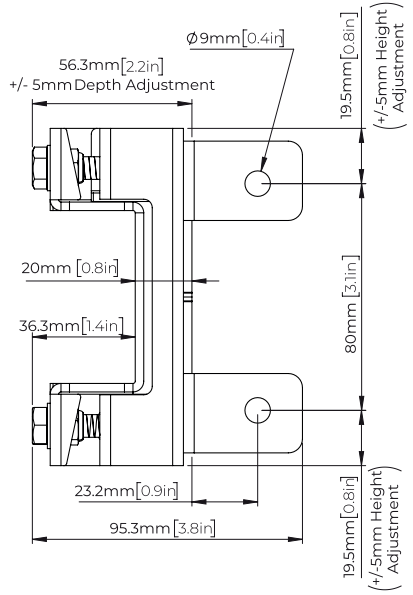
Refer to the Technical Drawing supplied for specific fixing and assembly dimensions

**BT8392-JPA - Rail Joining Plate**

**Top View**



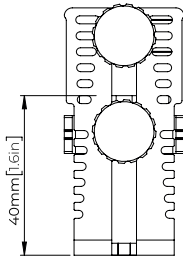
**Side View**



**BT9240-BRS2 - Bottom Row Spacer**

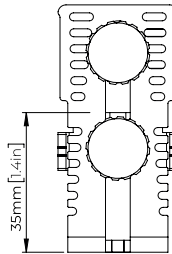
**Top View**

Maximum Spacing

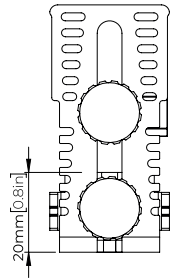


**Front Distances**

Medium Spacing

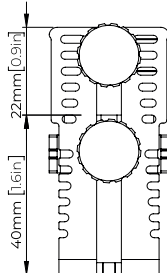


Minimum Spacing

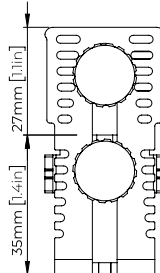


**Rear Distances**

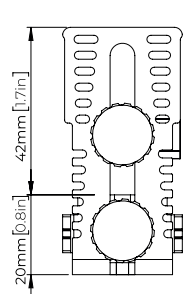
Maximum Spacing



Medium Spacing



Minimum Spacing



These instructions are intended as a guide only and B-Tech accepts no liability for the accuracy of the information contained in this document.

**BT9272**

**Contact:** [info@btechavmounts.com](mailto:info@btechavmounts.com)

©2026 B-Tech AV Mounts Corporation Ltd. All rights reserved.

B-Tech AV Mounts is a division of B-Tech AV Mounts Corporation Ltd.

B-Tech AV Mounts and the B-Tech logo are registered trademarks.

All B-Tech images and symbols are exclusive property of B-Tech AV Mounts Corporation Ltd.

All other brands and product names are trademarks of their respective owners.

Any reproduction, retransmission or republication of any part of this manual is strictly prohibited,

unless prior written permission has been granted by B-Tech AV Mounts Corporation Ltd.

Photographs are for illustrative purposes only. E&OE

AMA-BT9272-V1-0126-BTECH Made in the P.R.C.

