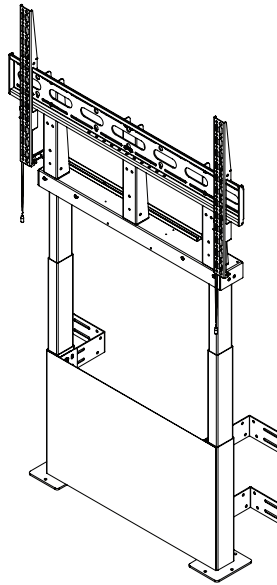


Motorised Height Adjustable Floor-To-Wall Flat Screen Stand

Installation Guide

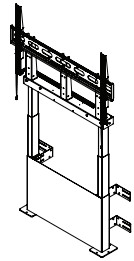


- Recommended for screens up to: 86"
- Max load: 100kg (220lbs)
- Suitable for displays with VESA[®] & non-VESA fixings up to 1000 x 600mm
- Motorised height adjustment range: 650mm (27.17")
- Features easy to use control panel and automatic safety stop function
- Includes front cover and cable management for a neat & tidy installation
- Stand dimensions:
H.1220mm - 1870mm x W.1070mm x D.256.5 - 272mm
(H.48" - 73.62" x W.42.13" x D.10.10 - 10.71")



Recommended Max Screen	Max Load	Max VESA	Height Adjustment	Post Install Alignment
86" 218cm	100kg [220lbs]	1000 x 600	↑ ↓	← →

Installation Safety Notes	2
Parts List	4
Installation Instructions	6
Operating Console System	15
Product Dimensions	18
B-Tech Contact Details	20



Installation Safety Instructions



Caution: This mount is intended for use only with the maximum weights indicated. Use with equipment heavier than the maximum indicated may result in instability causing possible injury.

Do not attempt to install this product until all instructions and warnings have been read and properly understood.

Please keep these instructions for future reference.

Please check carefully to make sure there are no missing or defective parts - defective parts must never be used.

B-Tech AV Mounts, its distributors and dealers are not liable or responsible for damage or injury caused by improper installation, improper use or failure to observe these safety instructions. In such cases, all guarantees will expire.

Danger: To reduce the risk of an electric shock always:

- Turn off power at source before cleaning.
- Do not use near water or outdoors.

Warning: To reduce the risk of burns, re, electric shock, or injury to persons:

- Unplug from outlet before putting on or taking off parts.
- Protect any cables or cords being used near this equipment from being walked on or pinched.
- Clean only with a dry cloth and always unplug any electrical items being used in conjunction with this product before cleaning.
- Never operate this mounting system if it has a damaged cord or plug, if it is not working properly, if it has been dropped or damaged, or dropped into water. Return the mounting system to a service centre for examination and repair.
- Keep the cord away from heated surfaces.
- Never drop or insert any object into any opening.
- Do not operate where aerosol (spray) products are being used or where oxygen is being administered.
- To disconnect, turn all controls to the off position, then remove plug from outlet.

Warning: Use this mounting system only for its intended use as described in these instructions. Do not use attachments not recommended by the manufacturer.

Warning: Never operate the product if it is damaged in any way, liquid has been spilled or objects have fallen into the apparatus, the apparatus has been exposed to rain or moisture, does not operate normally, or has been dropped. Contact the original installer/manufacturer to arrange repair or return. Any switch or similar device used to operate the interactive board system must be installed at a height of between 750mm and 1200 from the floor

Note: Noise emissions within 30cm is below 48 dB.

Note: BT8569 has no user serviceable parts.

Note: BT8569 can support screen sizes up to a maximum of 86 inches (diagonal).

Caution: Changes or modifications to this unit not expressly approved by the manufacturer can void the units CE certifications and make the unit illegal to operate.

General

B-Tech AV Mounts recommends that a professional AV installer or other suitably qualified person install this product. Great care must always be taken during installation as most AV equipment is of a fragile nature, possibly heavy and easily damaged if dropped. If you do not fully understand the instructions or are not sure how to install this product safely, then please consult a professional for advice and/or to install this product for you. Failure to mount this product correctly may cause serious injury or death both during installation and at any time thereafter. Do not mount any AV equipment that exceeds the specific weight limit of the product you are installing. This weight limit will be clearly stated on each product and its packaging and will vary from product to product.

Product location

Please pay careful attention to where this product is located, some locations are not suitable for installation. For indoor use only. Install stand on level ground. When verifying the stability of the structure, consider the following external factors: The strength of the floor/wall, exposure to sudden and severe wind and danger arising from contact with people and / or objects (eg installations in passageways, emergency exits), if located in a public or frequently populated area ensure that the product is out of the immediate reach of people. To avoid any damages ensure a distance of at least 1 metre is kept between the stand and other furnishings.

Fixing hardware

It is highly recommended that all fixing screws be used where supplied and that the purpose of all other fixing hardware is fully understood. In some cases more AV equipment fixing hardware will be supplied to accommodate different models of equipment and set up configurations. The installer must be satisfied that any supplied fixing hardware is suitable for each specific installation. If any fixing screws or included hardware are deemed not sufficient for a safe installation then please consult a professional or your local hardware store.

Hazard limitation

When routing cables take advantage of any built in cable management features that the product might provide and ensure that all cables are tidy and secure. Check to see that any moving aspect of the product can do so unhindered by any cabling. Some products have moving parts and the potential to cause injury through the crushing or trapping of fingers or other body parts. Particular attention to the nature of moving parts is required especially when assembling installing and adjusting during set up. Immediately after installation double-check that the work done is safe and secure. Double-check all necessary fixings are present and are of ample tightness. It is recommended that periodic inspections of the product and its fixing points are made as frequently as possible to ensure that safety is maintained. If in doubt consult a professional AV installer or other suitably qualified person. This appliance can be used by children aged from 8 years and above and persons with reduced physical, sensory or mental capabilities or lack of experience and knowledge if they have been given supervision or instruction concerning the use of the appliance in a safe way and understand the hazards involved. Children shall not play with the appliance. Cleaning and user maintenance shall not be made by children without supervision. This mount is intended for use only with the maximum weights indicated. Use with equipment heavier than the maximum indicated may result in instability causing possible injury.

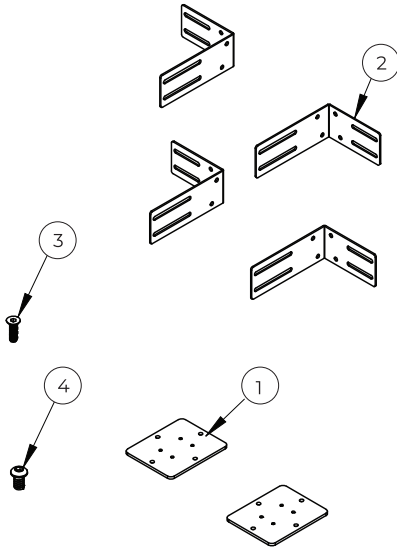
- CN B-Tech AV Mounts 建议本产品由专业AV安装人员或其他合格人员安装。B-Tech AV Mounts 及它的代理商、经销商不对由于不恰当的安装而造成的损失或伤害负责。本产品必须安装在合适的架构上，并仅用于不超过所标示的最大承重。
- CS Spoločnosť B-Tech AV Mounts doporučuje previesť inštaláciu tohto produktu inštalátorom AV či inak spôsobilé osoby. Spoločnosť B-Tech AV Mounts, jej distribútori a predajci nenesú zodpovednosť za škody spôsobené nesprávnou inštaláciou alebo zranenie spôsobené nevhodnou inštaláciou. Tento výrobok je nutné umiestiť do vhodnej konštrukcie a používať ju po uvedenej maximálnej výške.
- DE B-Tech AV Mounts empfiehlt, dass dieses Produkt durch einen qualifizierten AV-Techniker oder eine andere Person mit geeigneter Qualifikation installiert wird. B-Tech AV Mounts, ihre Distributoren und Händler können nicht für durch fehlerhafte Montage verursachte Beschädigung oder Verletzung haftbar bzw. verantwortlich gemacht werden. Dieses Produkt muss auf einem geeigneten Untergrund montiert werden und darf nur bis zum angegebenen Höchstgewicht verwendet werden.
- EN B-Tech AV Mounts recommends that this product be installed by a qualified AV technician or other suitably qualified person. B-Tech AV Mounts, its distributors and dealers are not liable or responsible for damage or injury caused by improper installation, improper use or failure to observe these safety instructions. In such cases, all guarantees will expire. This product must be mounted on a suitable surface and may only be used up to the specified maximum weight.
- ES B-Tech AV Mounts recomienda que un instalador de audio y video profesional u otra persona debidamente cualificada instalen este producto. B-Tech AV Mounts, sus distribuidores y concesionarios no se hacen cargo ni se responsabilizan de ningún daño o lesión provocados por una instalación inapropiada. Este producto se debe montar en una estructura adecuada y se debe utilizar soportando solamente hasta el peso máximo indicado.
- FR B-Tech AV Mounts recommande de confier l'installation de ce produit à un installateur AV professionnel ou à une autre personne dûment qualifiée. B-Tech AV Mounts, ses distributeurs et ses revendeurs ne sauraient être tenus responsables de tout dégât ou de toute blessure résultant d'une installation incorrecte. Ce produit doit être monté sur un support approprié et utilisé dans la limite du poids maximum indiqué.
- IT B-Tech AV Mounts consiglia di affidare l'installazione di questo prodotto a un installatore specializzato o ad altra persona adeguatamente qualificata. B-Tech AV Mounts, i suoi distributori e rivenditori non accettano alcuna responsabilità nei riguardi di eventuali danni o infortuni causati da un'errata installazione. Questo prodotto deve essere fissato a una struttura idonea e utilizzato unicamente sino al peso massimo indicato.
- JP B-Tech AV Mounts はAV設置の専門家または適合した知識を備えた人が製品を設置することを推奨します。B-Tech AV Mountsと販売店、取引先はこうした安全指針に従わない場合に随伴される製品の損傷や傷害に対する責任を負いません。場合によって製品が設置されるに適していないところもあるので設置位置に特別な注意を傾けてください。この製品の位置に注意を傾けて設置に適していない壁があるかを確認してください。指定した重さ制限を超過するAV装備を装着しないでください。
- KR B-Tech AV Mounts 는 AV 설치 전문가 또는 적합한 지식을 갖춘 사람이 제품을 설치하도록 권장합니다. B-Tech AV Mounts 와 판매점, 거래처는 이러한 안전 지침을 따르지 않을 경우에 수반될 제품의 손상이나 상해에 대한 책임을 지지 않습니다. 경우에 따라 제품이 설치되기에 적합하지 않은 곳들도 있으므로 설치 위치에 특별한 주의를 기울여 주시기 바랍니다. 제품의 설치 위치에 주의를 기울여 확인하십시오. 지정된 무게 제한을 초과하는 AV 장비를 장착하지 마십시오.
- NL B-Tech AV Mounts adviseert om dit product te laten installeren door een professionele AV-instalateur of andere hiervoor gekwalificeerde persoon. B-Tech AV Mounts, haar distributeurs en dealers zijn niet aansprakelijk of verantwoordelijk voor schade of letsel die is veroorzaakt door onoordeelkundige installatie. Dit product moet worden gemonteerd aan een geschikte constructie, waarbij het aangegeven maximum gewicht niet mag worden overschreden.
- PL Firma B-Tech AV Mounts zaleca, aby ten produkt był instalowany przez profesjonalnych instalatorów AV lub inny odpowiednio przeszkolony personel. Firma B-Tech AV Mounts, jej dystrybutorzy i dealerzy nie ponoszą odpowiedzialności za uszkodzenia lub obrażenia ciała powstałe w wyniku nieprawidłowej instalacji. Niniejszy produkt musi być amontowany na odpowiedniej powierzchni, a podczas użytkowania nie wolno przekraczać podanego maksymalnego obciążenia.
- PT A B-Tech AV Mounts recomenda que a instalação deste produto seja efectuada por um instalador de AV instalador de AV profissional ou outra pessoa devidamente habilitada. A B-Tech AV Mounts e os seus distribuidores e concessionários não são responsáveis por danos ou lesões causados por uma instalação incorrecta. Este produto tem de ser montado numa estrutura adequada e utilizado somente até ao peso máximo indicado.
- RU Компания B-Tech AV Mounts рекомендует, чтобы установка данного изделия производилась инженером по установке аудио-видеотехники или другим специалистом с соответствующей квалификацией. Компания B-Tech AV Mounts ее дистрибьюторы и дилеры не несут ответственности за повреждения или травмы, полученные в результате неправильной установки.

توصي بي-تيك للتجارة الدولية المحدودة بأن شخص محترف في تركيب ال AV أو شخص مؤهل تأهيلا مناسباً لتركيب هذا المنتج. بي-تيك للتجارة الدولية، موزعها والتجار ليست عرضة أو مسؤولة عن الأضرار أو الإصابات الناجمة عن تركيب غير سليم، والاستخدام غير السليم أو عدم مراعاة هذه التعليمات للسلامة. يجب أن يتم تركيب هذا المنتج في بنية مناسبة ويجب استخدامة فقط لدعم الحد الأقصى للوزن المشار إليه.

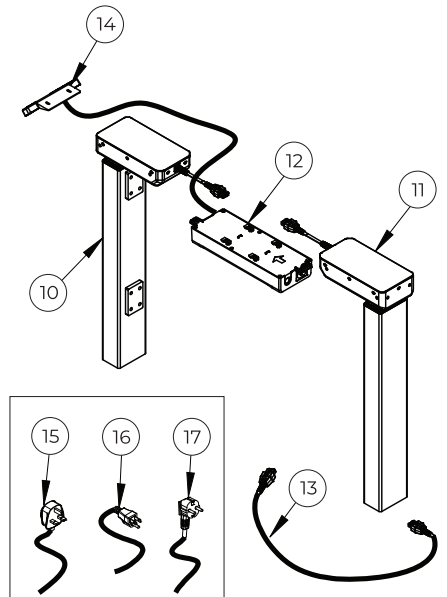
BT8569 Parts List

Please keep this for future reference

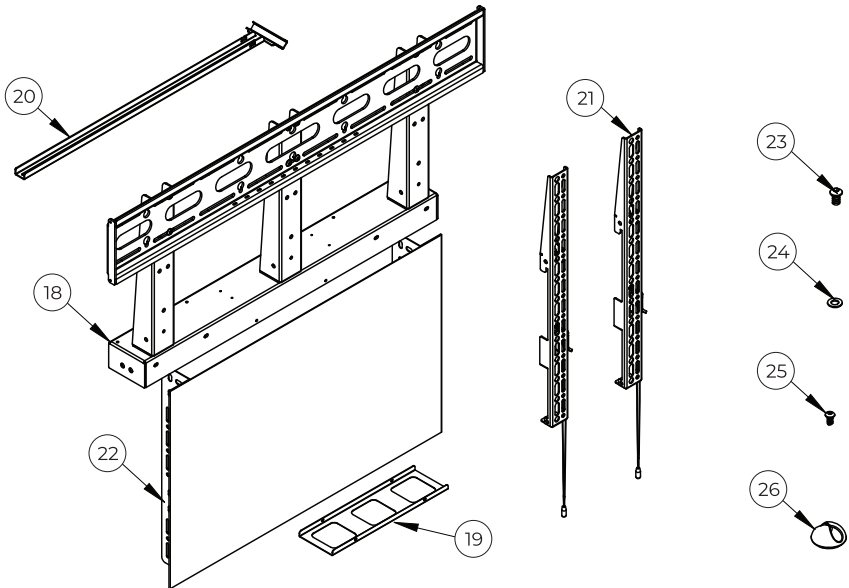
Box 1 Floor-To-Wall Fixing Kit

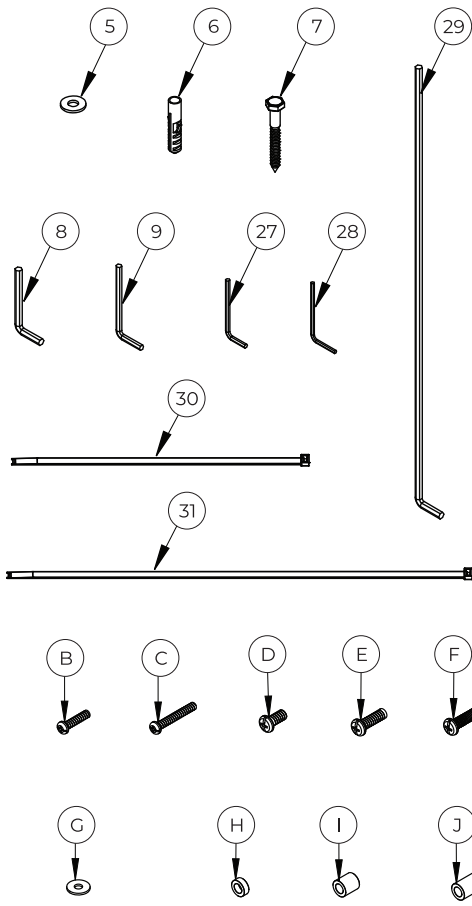


Box 2 Columns



Box 3 Screen Interface & Cover

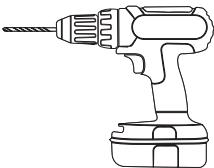







Item	Description	Qty
1	Floor Plate	2
2	Wall Plate	4
3	M6 x 20mm CSK Screw	8
4	M8 x 14mm Screw	16
5	M8 Washer	24
6	No.10 x 50mm Wall Plug	8
7	M8 x 63mm Coach Screw	8
8	5AF Hex Key	1
9	4AF Hex Key	1
10	Left Column	1
11	Right Column	1
12	Power Box	1
13	1m Cable	1
14	Control Panel	1
15	UK Plug	1
16	US Plug	1
17	EU Plug	1
18	Top Section	1
19	Cable Management Tray	1
20	Control Panel Holder	1
21	Interface Arm	2
22	Front Cover	1
23	M6 x 10mm Screw	14
24	M6 Washer	10
25	M4 x 8mm Screw	2
26	Cable Management Clip	4
27	3AF Hex Key	1
28	2.5AF Hex Key	1
29	5AF Long Hex Key	1
30	Cable Tie L:250mm	4
31	Cable Tie L:400mm	4

Screen Fixings		
A	M6 x 16mm Screw	4
B	M6 x 25mm Screw	4
C	M6 x 40mm Screw	4
D	M8 x 16mm Screw	4
E	M8 x 25mm Screw	4
F	M8 x 50mm Screw	4
G	M6 Washer	4
H	M8 x 5mm Spacer	4
I	M8 x 15mm Spacer	4
J	M8 x 25mm Spacer	4

Installation Tools Required

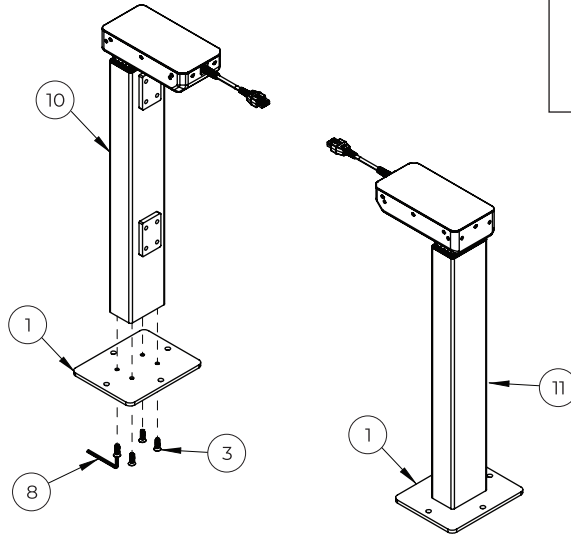
<p>Drill 10mm (7/16") Masonry or 6mm (1/4") Wood bit</p> 	<p>Pencil</p> 	<p>13mm (1/2") Spanner</p> 	<p>Screwdriver</p> 
---	--	---	---

Suitable for loads up to 100kg (220lbs)

Installation Instructions

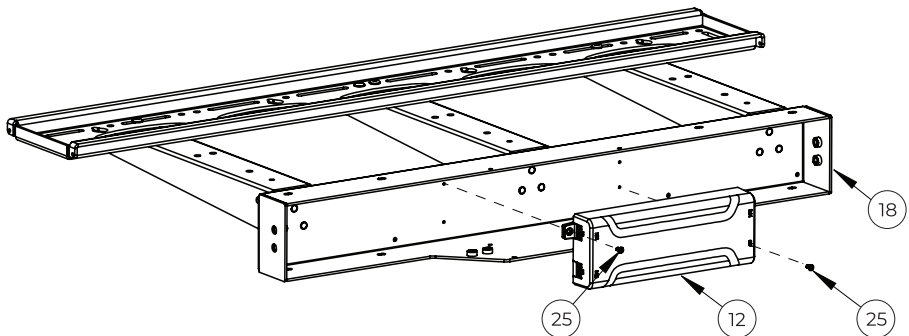
1. Assemble Floor Plates To Columns

Fix item 1 to the bottom of items 10 & 11 using item 3.



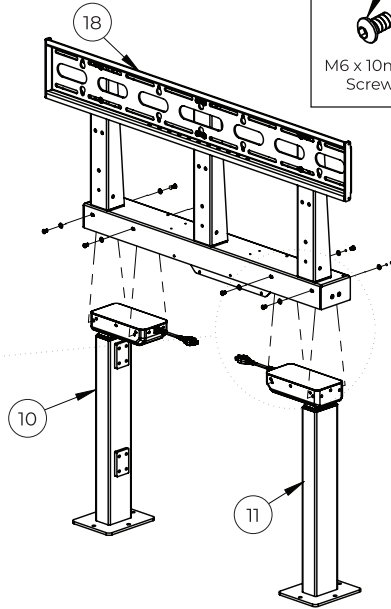
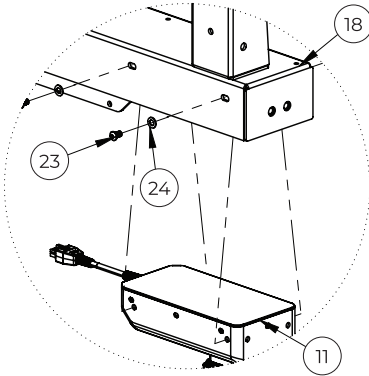
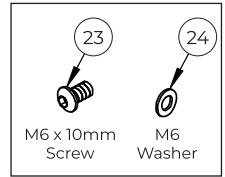
2. Insert Power Box Into Top Section

Fix item 12 to item 18 using item 25.



3. Assemble Top Section

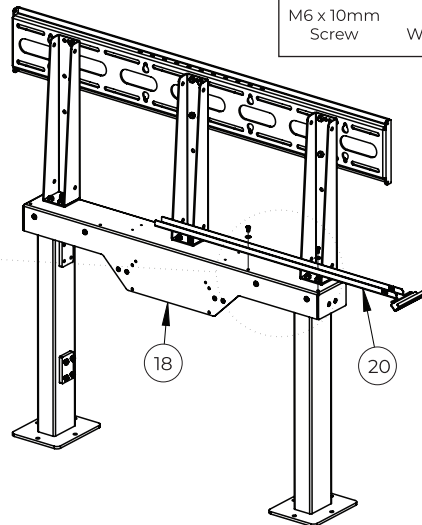
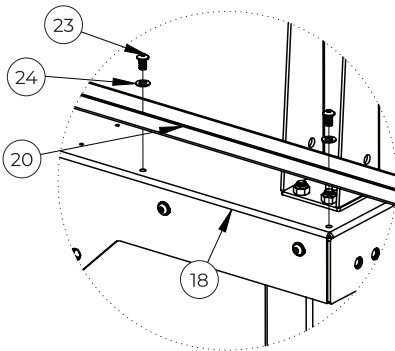
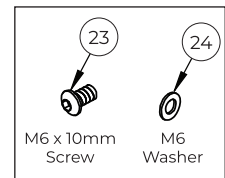
Mount item 18 onto items 10 & 11 and fix in place using items 23 & 24.



4. Fix Control Panel Holder

Fix item 20 to item 18 using items 23 & 24.

Note: Do not over-tighten, so item 20 can slide out - See *Step 13*.

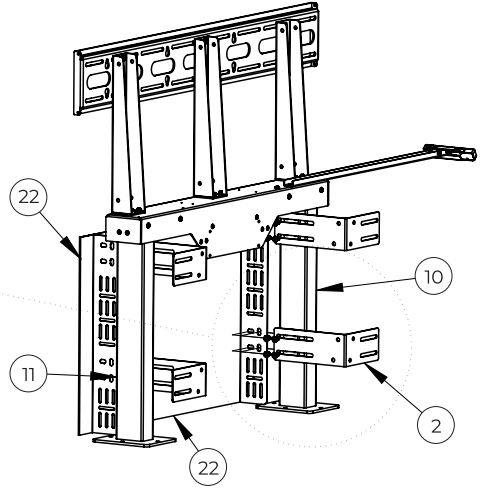
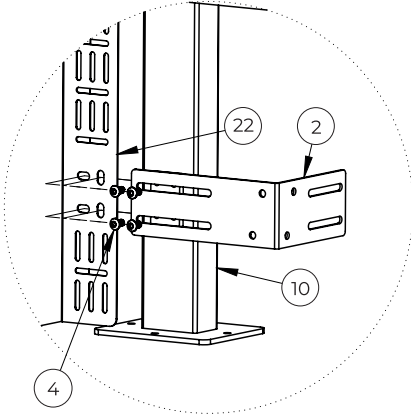
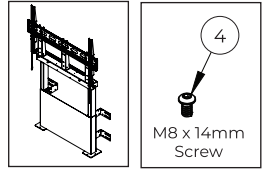


5. Attach Wall Plates

Assembly Option A

Fix *item 2* pointing outwards and mount the blanking plate (*item 22*).

Fix 4x *item 2* to *items 10 & 11* (2 on each column), using *item 4*. Use the slots to reach desired distance from wall.

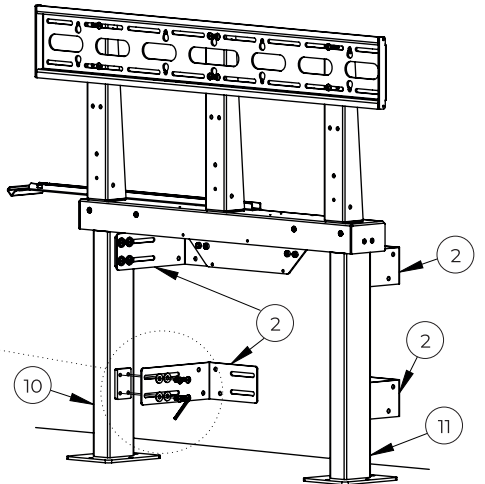
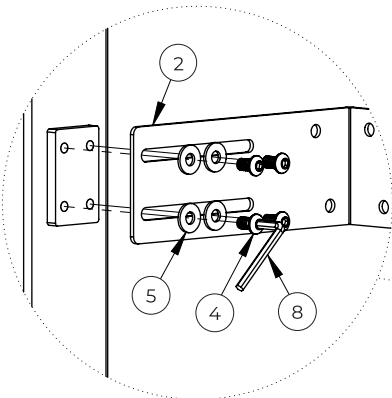
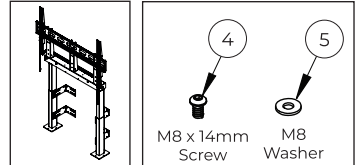


Assembly Option B

Mount *item 2* facing inwards, but with no blanking plate (*item 22*).

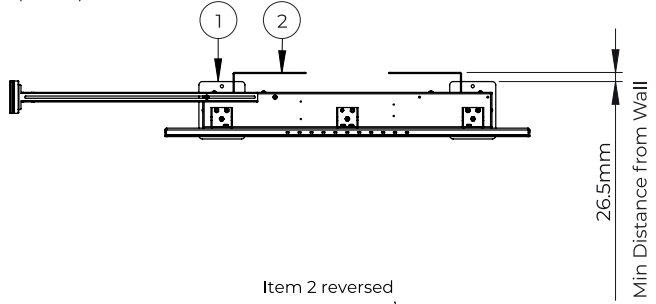
Fix 4x *item 2* to *items 10 & 11*, using *items 4 & 5*. Use the slots to reach desired distance from wall.

Note: *Item 2* can be reversed to allow the stand to be mounted further away or closer to the wall.

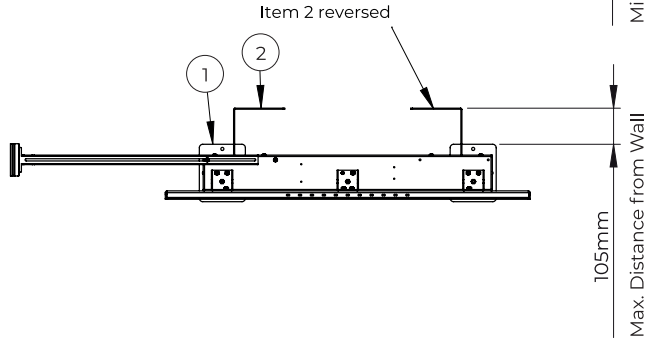


Measure from rear of floor plate (*item 1*) to wall.

Min. distance from wall



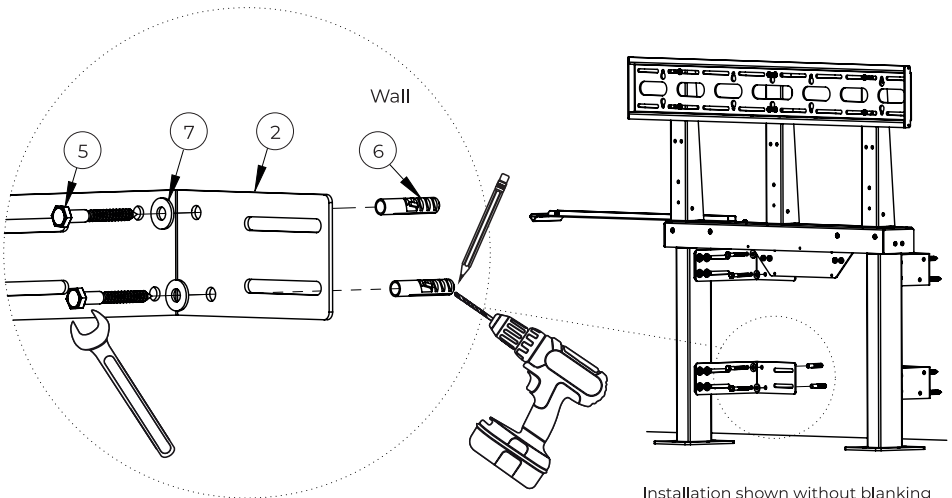
Max. distance from wall



6. Fix to Stand to Wall

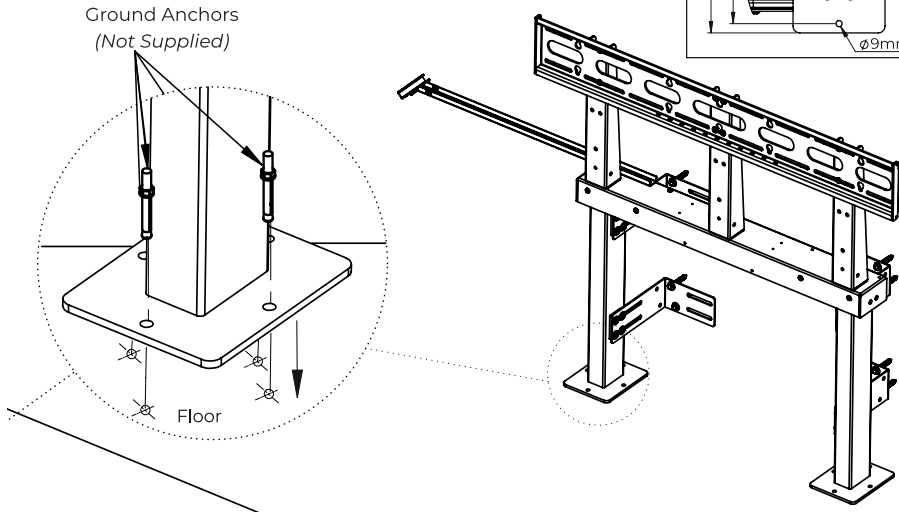
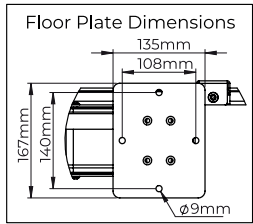
- Mark and drill 8 fixing holes in the wall and insert *item 6* into the holes.
- Using *items 5 & 7*, fix the stand to the wall through the holes in *item 2*.

Note: Pre-drill holes in floor if bolting stand to floor - *see Step 7*



7. Optional Bolt Stand To Floor

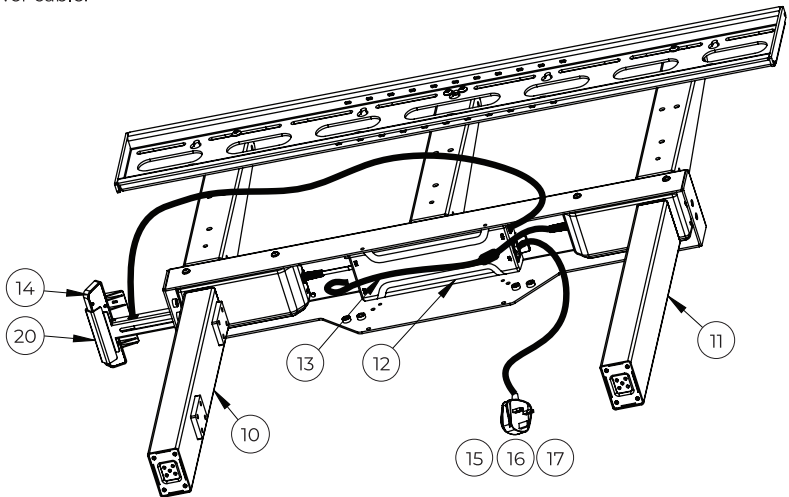
Pre-drill holes in floor and using suitable ground anchors (not supplied) and fix item 1 to the floor.



8. Connect all Cables

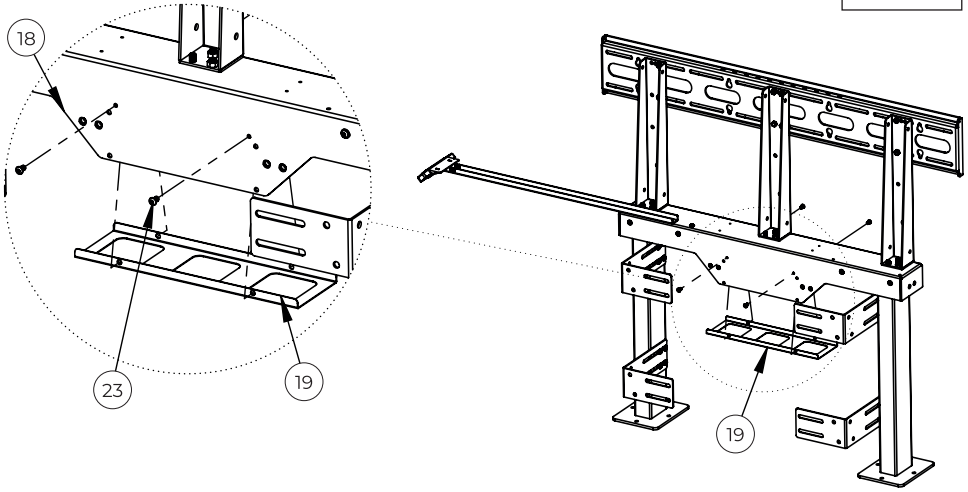
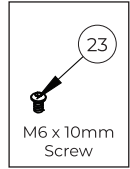
Connect items 10, 11, 14 and item 15, 16 or 17 to item 12.

Note: Use item 13 to extend the lifting column power cable.



9. Attach Cable Management Tray

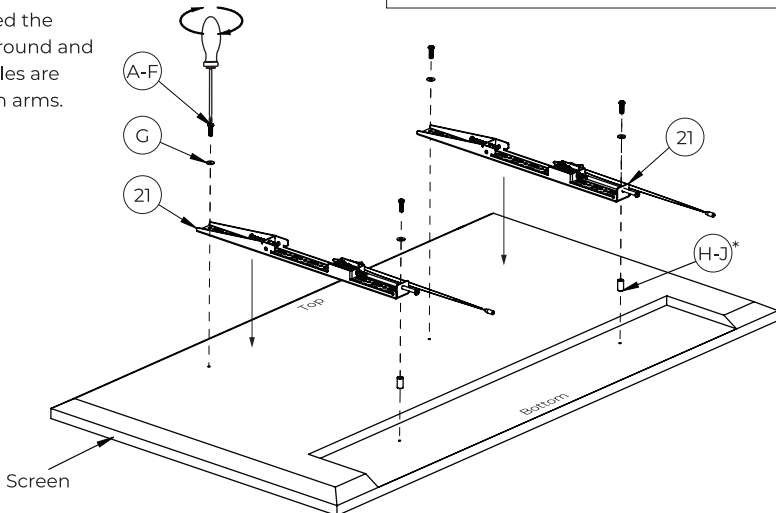
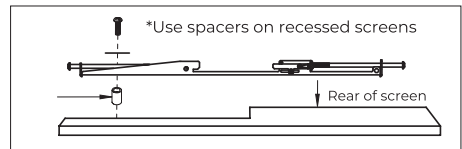
- i. Arrange cables in the underside of *item 18* using *item 19* to keep cables in place.
- ii. Fix *item 19* with *item 23*.



10. Fix Interface Arms To Screen

Attach *item 21* to the rear of the screen using the screen fixing kit (*items A-J*).

Note: Ensure *items 21* are positioned the correct way round and the same holes are used on both arms.

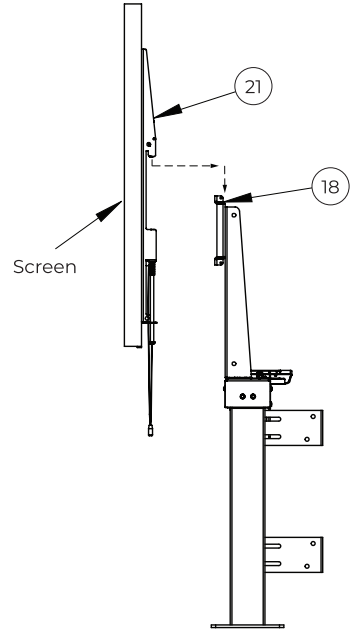
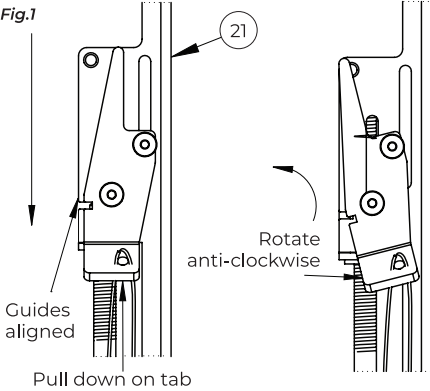


11. Mount Screen Onto Stand

- i. Retract locking piece on *item 21* to open position - See **Fig.1**
- ii. Hook *item 21* on *item 18*.

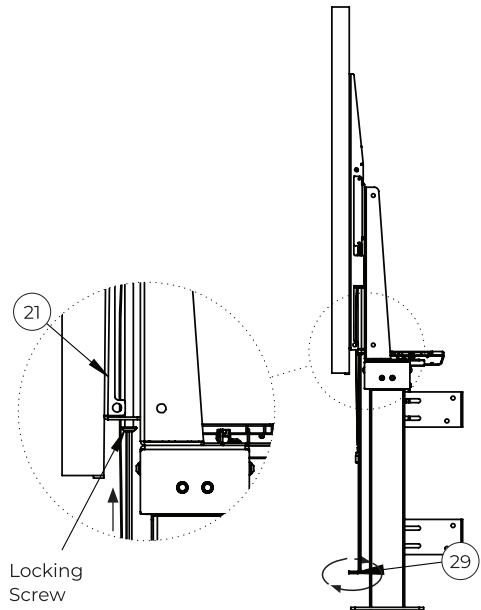
To enable the hook-on interface arms to lock onto the mounting plate pull down the tab on the locking piece until guides align, then rotate the locking piece anti-clockwise. The locking piece will now be secure in open position.

Fig.1



12. Secure Screen

Secure screen to mount using the locking screws on the bottom of *item 21*.

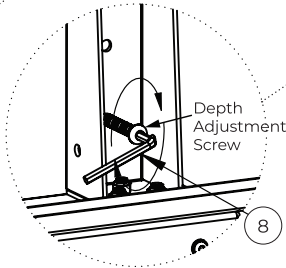
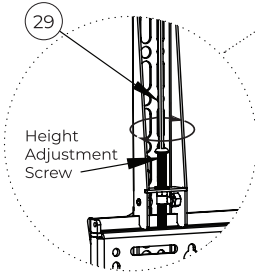
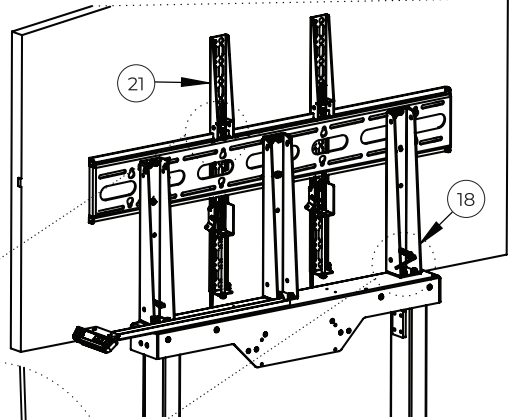


Optional Screen Levelling

Height: Level the screen using the height adjustment screws on top of *item 21*.

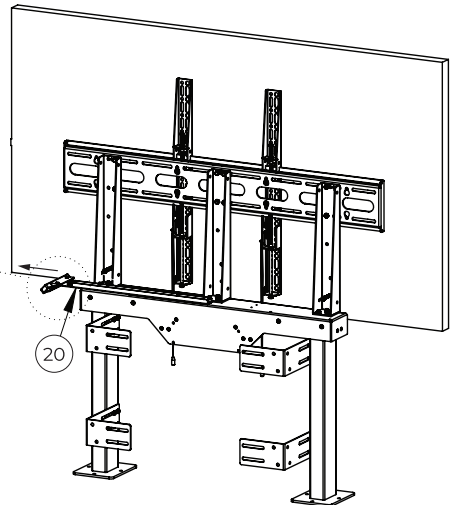
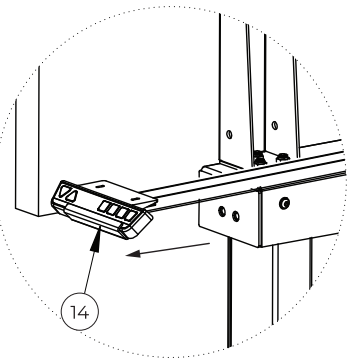
Depth: Use the adjustment screws at the rear of *item 18* to push out the bottom of the screen to level.

Warning! Do not over tighten and damage the screen.



13. Position Control Panel

Slide out *item 20* so the control panel (*item 14*) is easily accessible behind the screen.

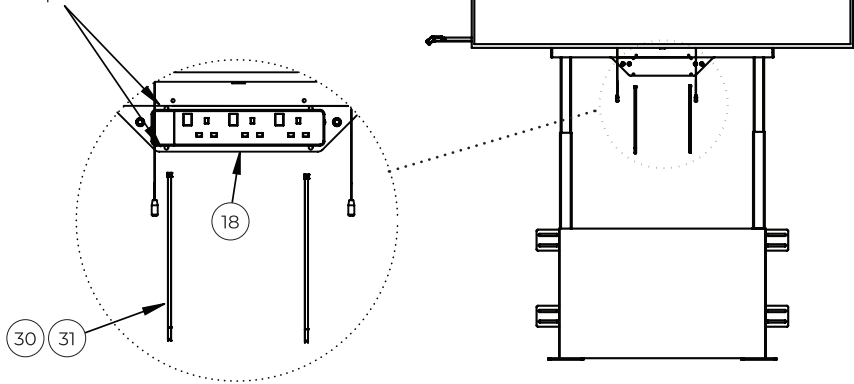


Optional Attach Extension Lead

Use the cable ties (*items 30 & 31*) to fix an extension lead (*not supplied*) to *item 18*.

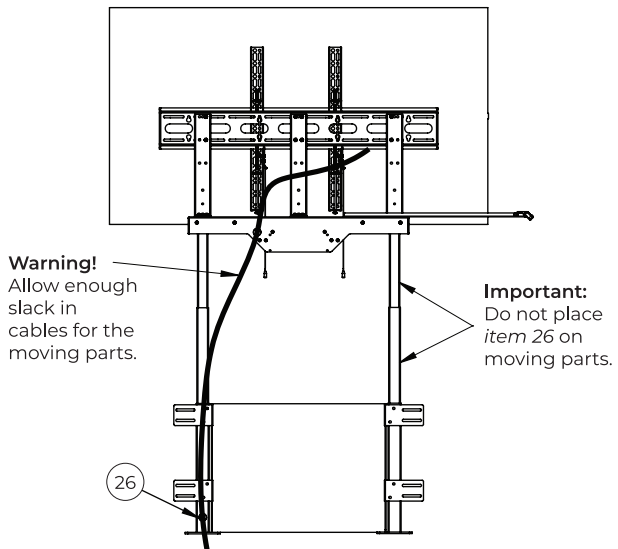
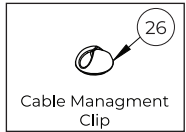
Note: Refer to Operating Control System on *page 15* for instructions on raising the screen.

Note: Insert *item 30 or 31* through the holes provided in *item 18*.



14. Cable Management

Use *item 26* to organise and keep the cables tidy.





Operating Control System

Control Panel





Manual Reset

Note: If it is necessary to manually reset the control panel. Please follow the steps below:

- i.   Press and hold the 'DOWN' button until the display shows "E-1" and "rES" alternately, then release.
- ii.  Press the 'DOWN' button and the display will move slowly down and return back until the display shows "60". Then release the button.

Warning: The Auto-Stop function is not enabled during the resets. There is a potential risk of pinching, ensure there are no obstacles in the columns/screen path.


Up And Down Operation

- i.  Press and hold the 'UP' button until the required height is reached, then release the button.
- ii.  Press and hold the 'DOWN' button until the required height is reached, then release the button.

Note: Pressing the '3' button will automatically take the screen to the maximum height, pressing '1' will automatically take the screen to the minimum height. See Memory Saving Function (*page 16*) to change the factory settings and save different set heights.

Auto-Stop Function

Note: Before using the electronic height-adjustable stand, ensure there are no obstacles (above and below) and no body parts interfering with the movement of the columns/screen.

- i.  When operating the screen up or down, if the screen encounters any obstacles in its path, the display will show "E-2".
- ii. The screen will move small distance in the opposite direction. After the obstacle is removed the system will return to working normally.

Changing The Unit Display (Cm / Inch)

- i. **M** Press the 'M' key for 3 seconds until the display shows "S--" to enter Set-up menu.
- ii. **▲** **Unt** Press the 'UP' key until the displays flashes "Unt".
- iii. **1** **M** Press '1' the display will show alternately as "Unt" and the current height in cm. Press the 'M' key to save the unit in cm.
- iv. **2** **M** Press '2' the display will show alternately as "Unt" and the current height in inches. Press the 'M' key to save the unit display in inches.

Memory Saving Function

Use the memory function to save a preferred height. The screen can then go easily to the set position.

- i. **▲** **▼** Adjust the display to the height that you want to save.
- ii. **M** Press the 'M' button and the display panel will show "S--".
- iii. **1** Press "1" and the display will show alternatively as "S-1" and the screen height.
- iv. **M** Press "M" button and the 1st memory position is set. Use the same procedure to save a 2nd & 3rd memory position.

Plug Detection

This function can detect whether the motors are connected normally.

- i. **E-3** **rES** If the display shows "E-2" and "rES", check the motors connected with control unit. Disconnect the main cable and wait at least 5 seconds.
- ii. Re-connect all the plugs.
- iii. **rES** Follow manual reset procedure.

Reset Control Unit To Factory Setting

Use this function to reset the control unit to the factory setting.

- i. **M** **FAC** Press and hold the 'M' button until the display shows 'S' and then "FAC".
- ii. Release the 'M' button and press again so the control system is reset to the factory setting (including the memory position etc.).

Control System Display

Code Meaning

Code	Information	Operation
E-1/rES	Manual reset required	Refer to the control system manual reset procedure
ovr	Overload	Ensure that the mounted weight is less than 100kg (220lbs) for further operation
E-2	Auto-Stop function	Can be used normally after removing the obstacle
dut	Operated continuously without suitable rest	Rest the system and then continue height adjustment

Troubleshooting

Code	Operation
E-4 / The height between two columns exceeds 2.5cm (1")	Stop the operation and manually reset the system
E-3	Check the cables and ensure they are properly connected The height adjustable columns can be used normally after reset
Full range of height movement not available	Height limitations may have been set on the control system Reset the system manually to restore to factory settings

Technical Data

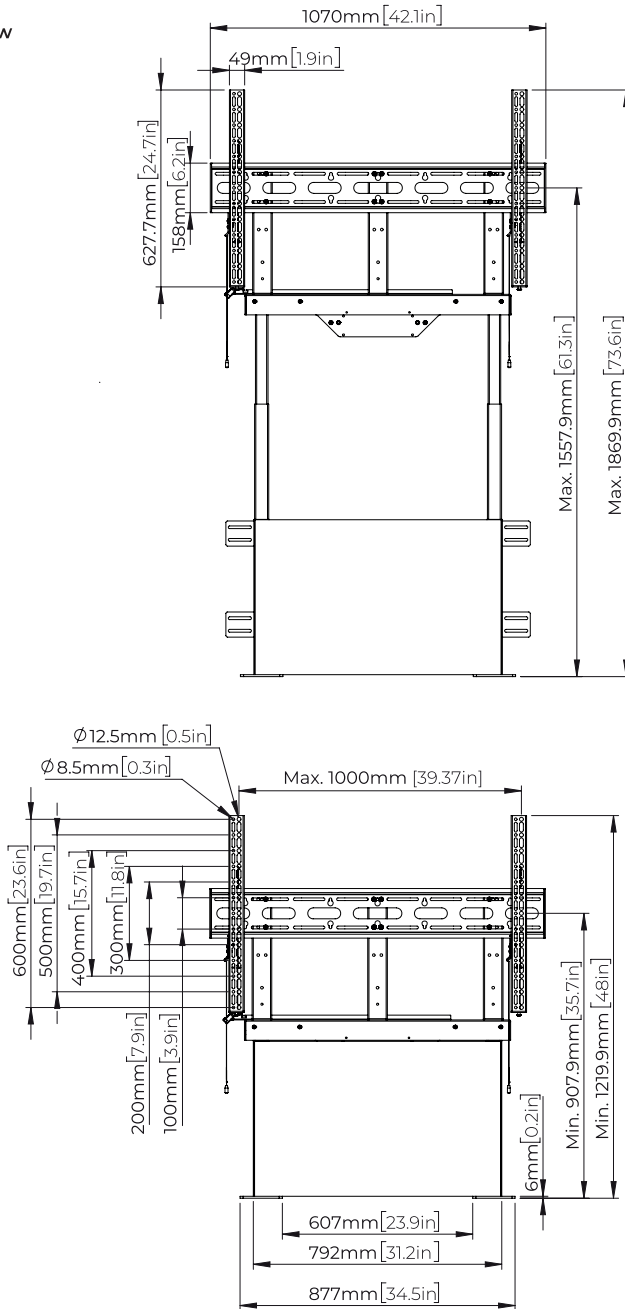
Item	Data
Input Voltage	100~240VAC 50/60HZ 4.7A
Output Voltage	216VAC 24VDC
Max Loading	1000N
Height Range (columns only)	57.15cm - 121.67cm (22.5" - 47.9")
Duty Cycle	2 min on / 18 min off

Note: Noise	Noise emissions within 30cm is below 48 dB.
--------------------	---

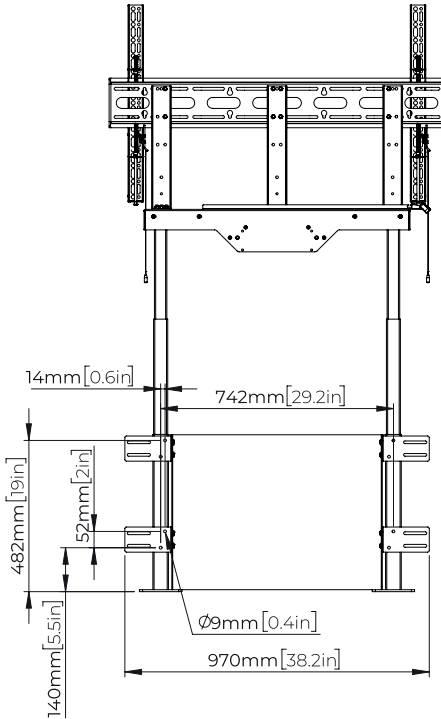
BT8569 Dimensions

Please keep this for future reference

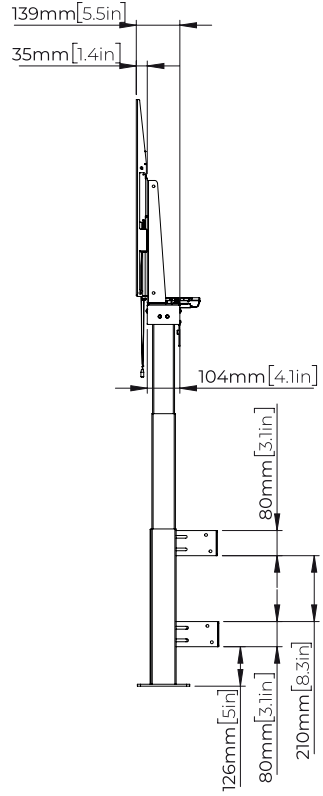
Front View



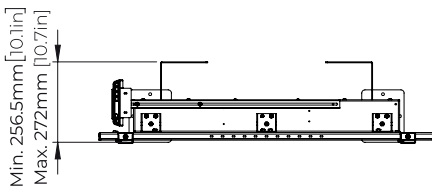
Rear View



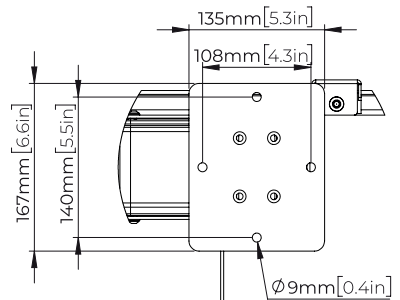
Side View



Top View



Floor Plate



These instructions are intended as a guide only and B-Tech accepts no liability for the accuracy of the information contained in this document.

BT8569

Contact: info@btechavmounts.com

©2025 B-Tech AV Mounts Corporation Ltd. All rights reserved.

B-Tech AV Mounts is a division of B-Tech AV Mounts Corporation Ltd.

B-Tech AV Mounts and the B-Tech logo are registered trademarks.

All B-Tech images and symbols are exclusive property of B-Tech AV Mounts Corporation Ltd.

All other brands and product names are trademarks of their respective owners.

Any reproduction, retransmission or republication of any part of this manual is strictly prohibited, unless prior written permission has been granted by B-Tech AV Mounts Corporation Ltd.

Photographs are for illustrative purposes only. E&OE

AMA-BT8569-V3-0325-44 Made in the P.R.C.

