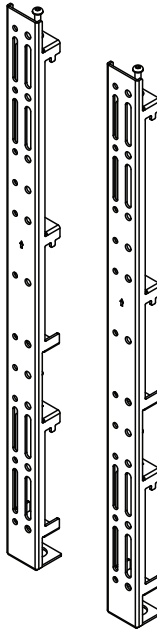






XL Interface Arms

Use with BT8390 Mounting Rails

Installation Guide



- Can be mounted across single or dual BT8390 mounting rails
- Recommended screen size (landscape) 72" and over
- Recommended screen size (portrait) 42" and over
- Max load (single rail mounting): 70kg (154lbs)
Max load (dual rail mounting): 200kg (440lbs)
- Suitable for VESA[®] & non-VESA fixings up to 800mm (vertical dimension)

Max Load Single Rail	Max Load Dual Rails	Max VESA	Post Install Alignment
 70kg [154lbs]	 200kg [440lbs]	 800	

Installation Safety Instructions



Caution: This mount is intended for use only with the maximum weights indicated. Use with equipment heavier than the maximum indicated may result in instability causing possible injury.

B-Tech AV Mounts, it's distributors and dealers are not responsible for damage or injury caused by improper installation, improper use, modifications, installations over the specified weight capacity and/or failure to observe these safety instructions. In such cases, any warranty will expire.

It is recommended that this product should only be installed by a qualified professional / installer.

B-Tech AV Mounts does not claim any liability for any difficulties that may arise from the interpretation contained in these instructions. Failure to mount this product correctly may lead to serious injury and/or death.

Please check carefully to make sure there are no missing or defective parts - defective parts must never be used.

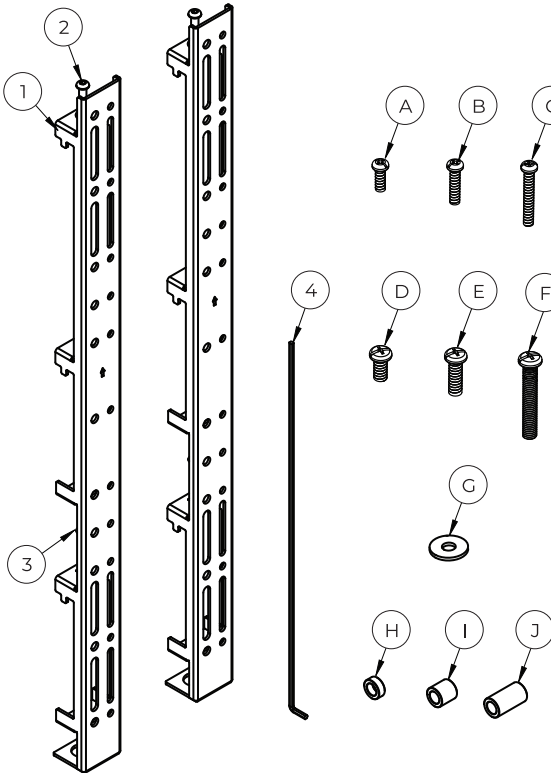
In the event of missing and/or defective parts, or technical questions, please contact an authorised dealer.

Pay careful attention to where this product is located, some locations are not suitable for installation. For indoor use only. It is recommended that periodic inspections of the product are made as frequently as possible to ensure that safety is maintained.

Please keep these instructions for future reference.

BT8390-VESA800F Parts List

Please keep this for future reference



Item	Description	Qty
1	Interface Arm	2
2	M8 x 55mm Hex Screw	4
3	M8 x 70mm Hex Screw	4
4	5AF x L550mm Hex Key	1
Screen Fixings		
A	M6 x 16mm Screw	4
B	M6 x 25mm Screw	4
C	M6 x 40mm Screw	4
D	M8 x 16mm Screw	4
E	M8 x 25mm Screw	4
F	M8 x 50mm Screw	4
G	M6 Washer	4
H	M8 x 5mm Spacer	4
I	M8 x 15mm Spacer	4
J	M8 x 25mm Spacer	4

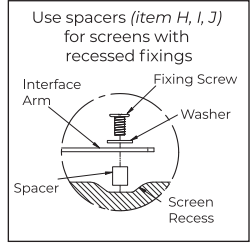
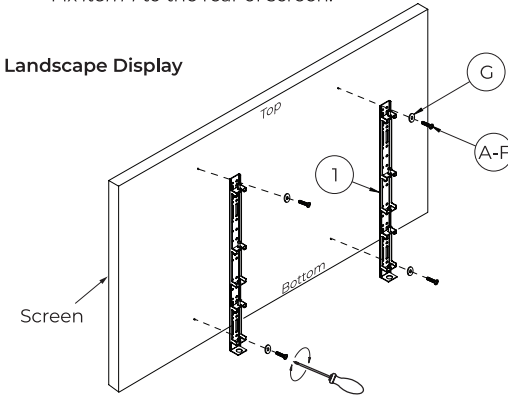
Suitable for loads up to 70kg (154lbs) when mounted on a single rail
 Suitable for loads up to 200kg (440lbs) when mounted on dual rails

Installation Instructions

1. Attach Arms To Screen

Fix *item 1* to the rear of screen.

Landscape Display



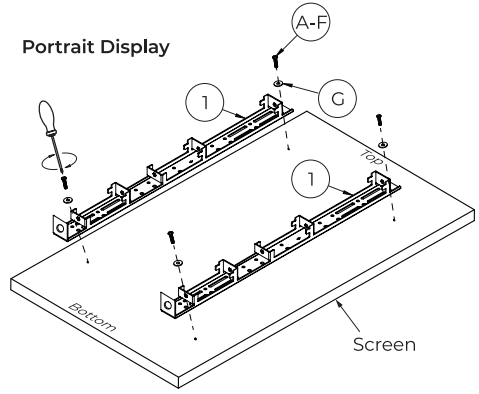
72"+
182cm

Suitable for screens over 72" when mounting in a landscape display. Min. height of screen when mounting in landscape: 890mm (35")

42"+
107cm

Suitable for screens over 42" when mounting in a portrait display. Max. height of screen when mounting in portrait: 1780mm (70")

Portrait Display

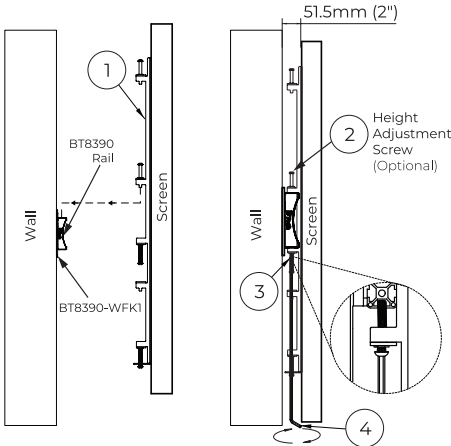


2. Hook Screen Onto Rail(s)

Hook the screen onto BT8390 mounting rail(s) and tighten *item 3* on the bottom of *item 1* to secure screen to rail. If required, adjust *item 2* for screen height alignment.

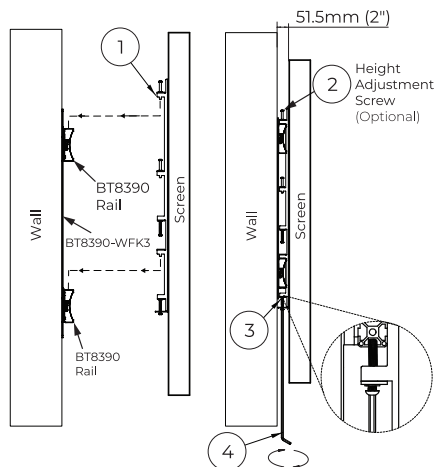
Single Rail Mounting

Use middle hook on interface arms



Twin Rail Mounting

Use top and bottom hooks on interface arms

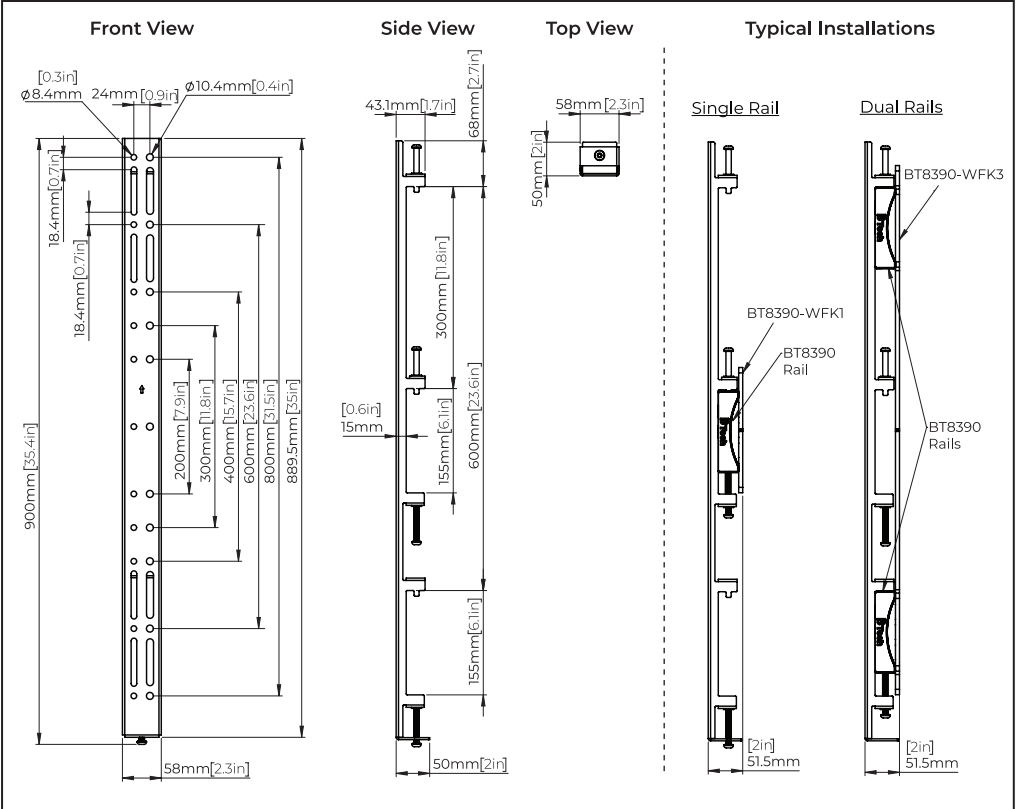


Note: Height adjustment function may be affected if weight of screen is over 50kg (110lbs)

XL Interface Arms

Use with BT8390 Mounting Rails

Dimensions



Contact: info@btechavmounts.com

©2024 B-Tech AV Mounts Corporation Ltd. All rights reserved.

B-Tech AV Mounts is a division of B-Tech AV Mounts Corporation Ltd.
B-Tech AV Mounts and the B-Tech logo are registered trademarks.
All B-Tech images and symbols are exclusive property of B-Tech AV Mounts Corporation Ltd.
All other brands and product names are trademarks of their respective owners.
Any reproduction, retransmission or republication of any part of this manual is strictly prohibited, unless prior written permission has been granted by B-Tech AV Mounts Corporation Ltd.
Photographs are for illustrative purposes only. E&OE

Manufactured by:
B-Tech International Design & Manufacturing Ltd
Unit 26, 22/F Metro Centre II, 21 Lam Ling St., Kowloon Bay, Kowloon, Hong Kong

AMA-BT8390-VESA800F-V3-0124-44 Made in the P.R.C.

