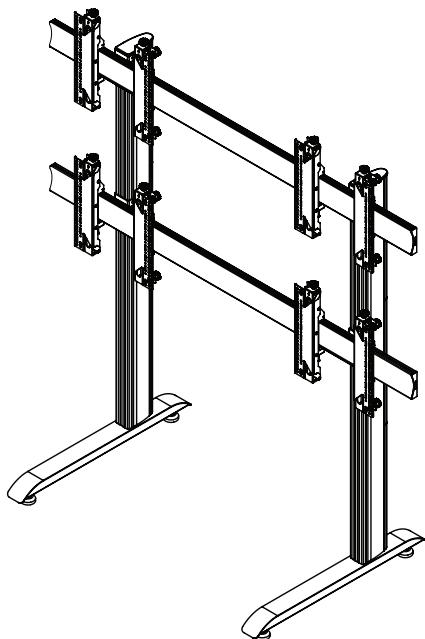





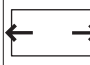
Universal Videowall Stand

Installation Guide



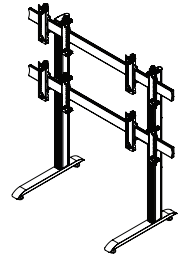
- Recommended screen size: 32"- 75"
- Max weight per screen: 50kg (110lbs)
- Suitable for landscape or portrait mounting
- Safety screws help prevent unauthorised removal of screens
- All mounting hardware included

Note: This assembly manual covers different installations. Some parts or procedures shown may not be required for installation.

Recommended Max Screen	Max Load Per Screen	Micro Adjustment	Post Install Alignment
 <p>75" 190cm</p>	 <p>50kg [110lbs]</p>		

Please refer to page 5 for VESA® fixings

Installation Safety Notes	2
Parts List	4
Typical Installation	6
Max Load Configurations	7
Installation Instructions	8
Product Dimensions	23
B-Tech Contact Details	24



Installation & Operating Safety Instructions



Caution: This mount is intended for use only with the maximum weights indicated. Use with equipment heavier than the maximum indicated may result in instability causing possible injury.

Do not attempt to install this product until all instructions and warnings have been read and properly understood. *Please keep these instructions for future reference.*

Please check carefully to make sure there are no missing or defective parts - defective parts must never be used. B-Tech AV Mounts, its distributors and dealers are not liable or responsible for damage or injury caused by improper installation, improper use or failure to observe these safety instructions. In such cases, all guarantees will expire.

General

B-Tech AV Mounts recommends that a professional AV installer or other suitably qualified person install this product. Great care must always be taken during installation as most AV equipment is of a fragile nature, possibly heavy and easily damaged if dropped. If you do not fully understand the instructions or are not sure how to install this product safely, then please consult a professional for advice and/or to install this product for you. Failure to mount this product correctly may cause serious injury or death both during installation and at any time thereafter. Do not mount any AV equipment that exceeds the specific weight limit of the product you are installing. This weight limit will be clearly stated on each product and its packaging and will vary from product to product.

Product location

Please pay careful attention to where this product is located. Designed for indoor use, this stand is suitable for public or home installation. Check load capacity of the floor prior to installation to ensure that it can support the combined weight of the equipment and hardware, some surfaces are not suitable for installation.

When verifying the stability of the structure, consider the following external factors: The strength of the floor, exposure to sudden and severe wind and danger arising from contact with people and / or objects (eg installations in passageways, emergency exits), if located in a public or frequently populated area ensure that the product is out of the immediate reach of people. When drilling holes it is essential to avoid contact with electrical cables and water or gas pipes contained within. Use of a good quality live wire detector and hidden object locator is therefore recommended. Only drill into structures when you are sure it is safe to do so.

Fixing hardware

It is highly recommended that all fixing screws be used where supplied and that the purpose of all other fixing hardware is fully understood. In some cases more AV equipment fixing hardware will be supplied to accommodate different models of equipment and set up configurations. The installer must be satisfied that any supplied fixing hardware is suitable for each specific installation. The fixing kit supplied with the product may not be suitable for all walls. If any fixing screws or included hardware are deemed not sufficient for a safe installation then please consult a professional or your local hardware store.

Hazard limitation

When routing cables take advantage of any built in cable management features that the product might provide and ensure that all cables are tidy and secure. Check to see that any moving aspect of the product can do so unhindered by any cabling. Some products have moving parts and the potential to cause injury through the crushing or trapping of fingers or other body parts. Particular attention to the nature of moving parts is required especially when assembling installing and adjusting during set up. Immediately after installation double-check that the work done is safe and secure. Double-check all necessary fixings are present and are of ample tightness. It is recommended that periodic inspections of the product and its fixing points are made as frequently as possible (no more than 6 months apart) to ensure that safety is maintained. If in doubt consult a professional AV installer or other suitably qualified person.

- CN B-Tech AV Mounts 建议本产品由专业AV安装人员或其他合格人员安装。B-Tech AV Mounts 及它的代理商、经销商不对由于不恰当的安装而造成的损失或伤害负责。本产品必须安装在合适的架构上，并仅用于不超过所标示的最大承重。
- CS Společnost B-Tech AV Mounts doporučuje provést instalaci tohoto produktu instalátora AV či jinak způsobilé osoby. Společnost B-Tech AV Mounts, její distributoři a prodejci nenesou prostřednictvím odborného odpov. osob. žádnou odpovědnost za škody nebo zranění způsobená nevhodnou instalací. Tento výrobek je nutno umístit do vhodné konstrukce a používat jen po uvedené maximální výšce.
- DE B-Tech AV Mounts empfiehlt, dass dieses Produkt durch einen qualifizierten AV-Techniker oder eine andere Person mit geeigneter Qualifikation installiert wird. B-Tech AV Mounts, ihre Distributoren und Händler können nicht für durch fehlerhafte Montage verursachte Beschädigung oder Verletzung haftbar bzw. verantwortlich gemacht werden. Dieses Produkt muss auf einem geeigneten Untergrund montiert werden und darf nur bis zum angegebenen Höchstgewicht verwendet werden.
- EN B-Tech AV Mounts recommends that this product be installed by a qualified AV technician or other suitably qualified person. B-Tech AV Mounts, its distributors and dealers are not liable or responsible for damage or injury caused by improper installation, improper use or failure to observe these safety instructions. In such cases, all guarantees will expire. This product must be mounted on a suitable surface and may only be used up to the specified maximum weight.
- ES B-Tech AV Mounts recomienda que un instalador de audio y video profesional u otra persona debidamente cualificada instalen este producto. B-Tech AV Mounts, sus distribuidores y concesionarios no se hacen cargo ni se responsabilizan de ningún daño o lesión provocados por una instalación inapropiada. Este producto se debe montar en una estructura adecuada y se debe utilizar soportando solamente hasta el peso máximo indicado.
- FR B-Tech AV Mounts recommande de confier l'installation de ce produit à un installateur AV professionnel ou à une autre personne dûment qualifiée. B-Tech AV Mounts, ses distributeurs et ses revendeurs ne sauraient être tenus responsables de tout dégât ou de toute blessure résultant d'une installation incorrecte. Ce produit doit être monté sur un support approprié et utilisé dans la limite du poids maximum indiqué.
- IT B-Tech AV Mounts consiglia di affidare l'installazione di questo prodotto a un installatore specializzato o ad altra persona adeguatamente qualificata. B-Tech AV Mounts, i suoi distributori e rivenditori non accettano alcuna responsabilità nei riguardi di eventuali danni o infortuni causati da un'errata installazione. Questo prodotto deve essere fissato a una struttura idonea e utilizzato unicamente sino al peso massimo indicato.
- JP B-Tech AV Mounts はAV設置の専門家または適合した知識を備えた人が製品を設置することを推奨します。B-Tech AV Mountsと販売店、取引先はこうした安全指針に従わない場合に随伴される製品の損傷や傷害に対する責任を負いません。場合によって製品が設置されるに適していないところもあるので設置位置に特別な注意を傾けてください。この製品の位置に注意を傾けて設置に適していない壁があるかを確認してください。指定した重さ制限を超過するAV装備を装着しないでください。
- KR B-Tech AV Mounts 는 AV 설치 전문가 또는 적합한 지식을 갖춘 사람이 제품을 설치하도록 권장합니다. B-Tech AV Mounts 와 판매점, 거래처는 이러한 안전 지침을 따르지 않을 경우 수반될 제품의 손상이나 상해에 대한 책임을 지지 않습니다. 경우에 따라 제품이 설치되기에 적합하지 않은 곳들도 있으므로 설치 위치에 특별한 주의를 기울여 주시기 바랍니다. 제품의 설치 위치에 주의를 기울여 확인하십시오. 지정된 무게 제한을 초과하는 AV 장비를 장착하지 마십시오.
- NL B-Tech AV Mounts adviseert om dit product te laten installeren door een professionele AV-instalateur of andere hiervoor gekwalificeerde persoon. B-Tech AV Mounts, haar distributeurs en dealers zijn niet aansprakelijk of verantwoordelijk voor schade of letsel die is veroorzaakt door onoordeelkundige installatie. Dit product moet worden gemonteerd aan een geschikte constructie, waarbij het aangegeven maximum gewicht niet mag worden overschreden.
- PL Firma B-Tech AV Mounts zaleca, aby ten produkt był instalowany przez profesjonalnych instalatorów AV lub inny odpowiednio przeszkolony personel. Firma B-Tech AV Mounts, jej dystrybutorzy i dealerzy nie ponoszą odpowiedzialności za uszkodzenia lub obrażenia ciała powstałe w wyniku nieprawidłowej instalacji. Niniejszy produkt musi być amontowany na odpowiedniej powierzchni, a podczas użytkowania nie wolno przekraczać podanego maksymalnego obciążenia.
- PT A B-Tech AV Mounts recomenda que a instalação deste produto seja efectuada por um instalador de AV instalador de AV profissional ou outra pessoa devidamente habilitada. A B-Tech AV Mounts e os seus distribuidores e concessionários não são responsáveis por danos ou lesões causados por uma instalação incorrecta. Este produto tem de ser montado numa estrutura adequada e utilizado somente até ao peso máximo indicado.
- RU Компания B-Tech AV Mounts рекомендует, чтобы установка данного изделия производилась инженером по установке аудио-видеотехники или другим специалистом с соответствующей квалификацией. Компания B-Tech AV Mounts ее дистрибьюторы и дилеры не несут ответственности за повреждения или травмы, полученные в результате неправильной установки.

توصي بي-تيك للتجارة الدولية المحدودة بأن شخص محترف في تركيب ال AV أو شخص مؤهل تأهيلا مناسباً لتركيب هذا المنتج. بي-تيك للتجارة الدولية، موزعها والتجار ليست عرضة أو مسؤولة عن الأضرار أو الإصابات الناجمة عن تركيب غير سليم، والاستخدام غير السليم أو عدم مراعاة هذه التعليمات للسلامة. يجب أن يتم تركيب هذا المنتج في بنية مناسبة ويجب استخدامه فقط لدعم الحد الأقصى للوزن المشار إليه.

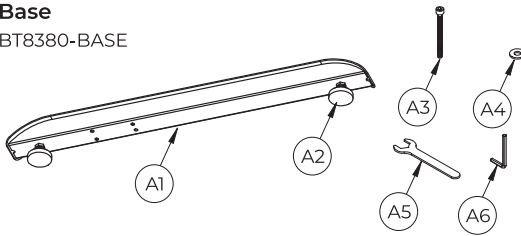
BT8370 Parts List

Please keep this for future reference

Due to the multiple installations available the quantity for each option below is dependent on the mount ordered. All these components can be moved or carried by manpower. Please be careful to avoid injury when handling these components before & during the installation or when uninstalling the mount.

Base

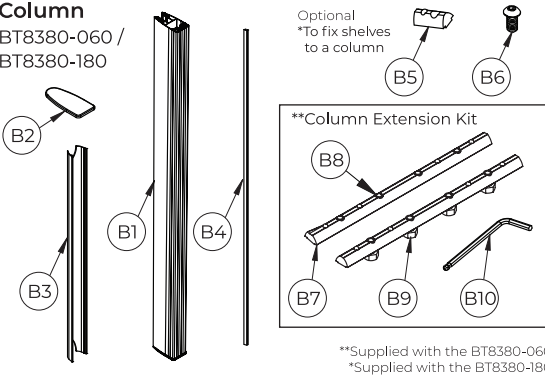
BT8380-BASE



Item	Description	Qty per pack
A1	Base	1
A2	Levelling Foot	2
A3	M8 x 90mm Screw	4
A4	M8 Washer	4
A5	Spanner	1
A6	6AF Hex Key	1

Column

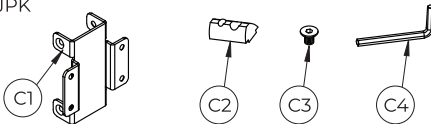
BT8380-060 /
BT8380-180



Item	Description	Qty per pack
B1	Vertical Column	1
B2	End Cap*	4
B3	Cable Cover	3
B4	Plastic Slot Insert	4
B5	M8 Sliding Nut*	2
B6	M8 x 12mm Screw*	2
B7	Column Joiner**	4
B8	Grub Screw**	16
B9	M6 X 10mm Hex Bolt**	8
B10	3AF Hex Key**	1

Joining Plate

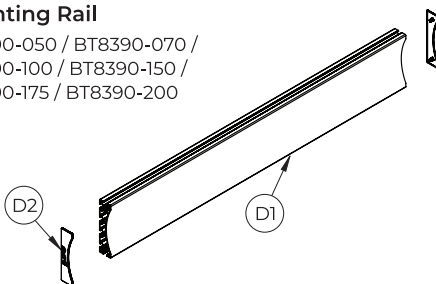
BT8380-JPK



Item	Description	Qty per pack
C1	Joining Plate	1
C2	M8 Sliding Nut	8
C3	M8 x 12mm CSK Screw	8
C4	5AF Hex Key	1

Mounting Rail

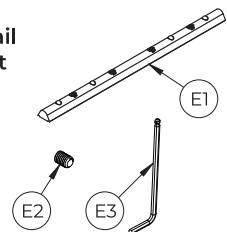
BT8390-050 / BT8390-070 /
BT8390-100 / BT8390-150 /
BT8390-175 / BT8390-200



Item	Description	Qty per pack
D1	Mounting Rail	1
D2	End Cap	2

Optional Mounting Rail Extension Kit

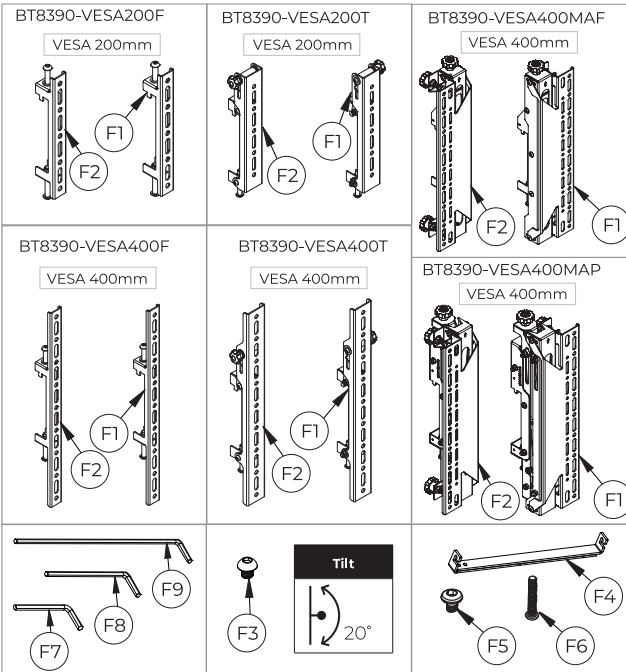
BT8390-EXT



Item	Description	Qty per pack
E1	Joining Bar	6
E2	M6 x 8mm Grub Screw	24
E3	3AF Hex Key	1

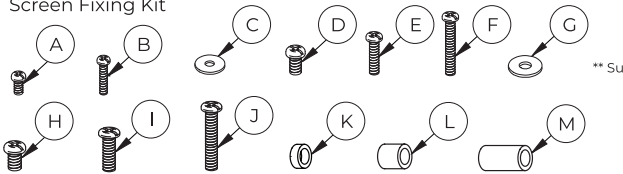
All these components can be moved or carried by manpower. Please be careful to avoid injury when handling these components before & during the installation or when uninstalling the mount.

Interface Fixing Kit Screen Interface Arms



Item	Description	Qty per pack
F1	Interface Arm - Left	1
F2	Interface Arm - Right	1
F3	M6 x 8mm Screw**	2
F4	Adjustable Brace***	1
F5	M5 x 6mm Screw***	2
F6	M6 x 35mm Screw***	2
F7	3AF Hex Key***	1
F8	4AF Hex Key**	1
F9	5AF Hex Key	1
Screen Fixings		
A	M4 x 12mm Screw*	4
B	M4 x 25mm Screw*	4
C	M4 Washer*	4
D	M6 x 16mm Screw	4
E	M6 x 25mm Screw	4
F	M6 x 40mm Screw	4
G	M6 Washer	4
H	M8 x 16mm Screw	4
I	M8 x 25mm Screw	4
J	M8 x 50mm Screw	4
K	5mm Spacer	4
L	15mm Spacer	4
M	25mm Spacer	4

Screen Fixing Kit



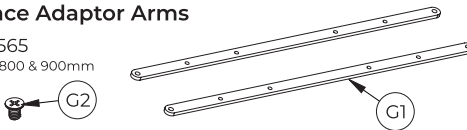
* Not included with the BT8390-VESA400F, BT8390-VESA400T, BT8390-VESA400MAF, BT8390-VESA400MAP
 ** Supplied with the BT8390-VESA200T & BT8390-VESA400T
 *** Supplied with the BT8390-VESA400MAP

Suitable for loads up to 50kg (110lbs) per screen



Optional Interface Adaptor Arms

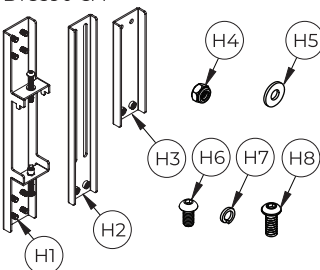
BT7564 / BT7565
 VESA 600mm / VESA 800 & 900mm



Item	Description	Qty per pack
G1	Adaptor Arms	2
G2	M8 x 12mm Screw	4

Optional Accessory Mounting Arm

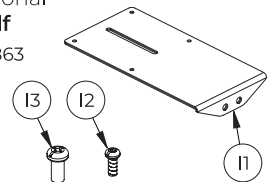
BT8390-SA



Item	Description	Qty per pack
H1	Hook On Arm	1
H2	Long Extension Arm	1
H3	Short Extension Arm	1
H4	Nut	4
H5	Washer	4
H6	M8 X 16mm Screw	4
H7	Spring Washer	4
H8	M8 x 20mm Screw	2

Optional Shelf

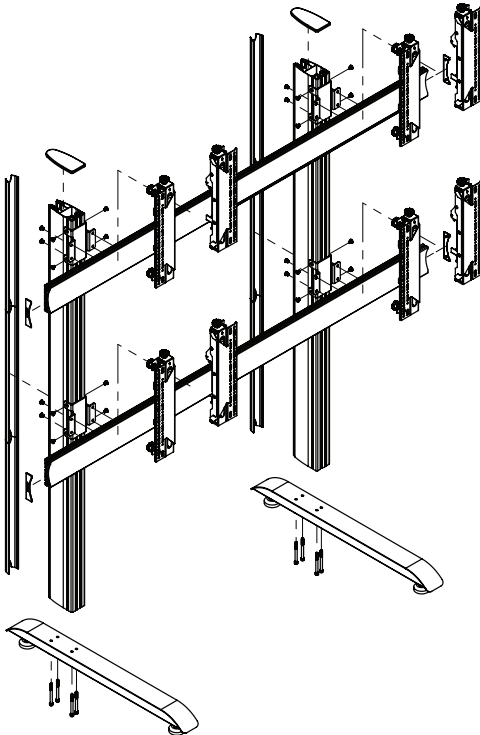
BT7863



Item	Description	Qty per pack
I1	VC Shelf	1
I2	M4 x 10mm Screw	4
I3	UNC 1/4" x 1/2" Screw	1

Typical Installations

2 x 2 Videowall Installation with VESA 400 Micro-Adjustment Arms



Installation Tools Required

Screwdriver



Spanner



Knife / Cutter



Level



Installation Notes

Floorstand Stability

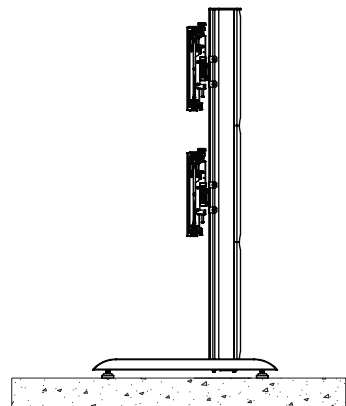
 **Warning - Danger !!!**

Install stand on level ground

Two person assembly

When verifying the stability of the structure, consider the following external factors:

1. The strength of the floor
2. Exposure to sudden and severe wind.
3. Danger arising from contact with people and / or objects. (eg installations in passageways, emergency exits).

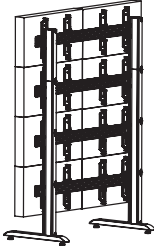


BT8370 Max Load Configurations

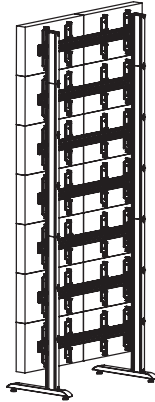
Max. Column Height 4.2m (165")

Important: Screen weight must be evenly spread up the vertical column.

Note: Larger installs may require the use of a BT8380-WTB



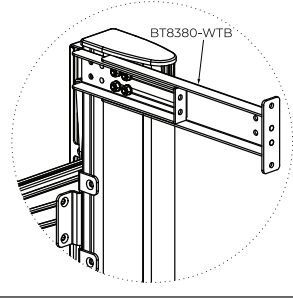
Column height: Up to **2.4m (95")**
 Max load per screen: **50kg (110lbs)**
 Max load per column: **200kg (440lbs)**



Column height: **2.4m up to 4.2m (95" up to 165")**
 Max load per screen: **25kg (55lbs)**
 Max load per column: **150kg (330lbs)**

BT8380-WTB Wall Tie-Back

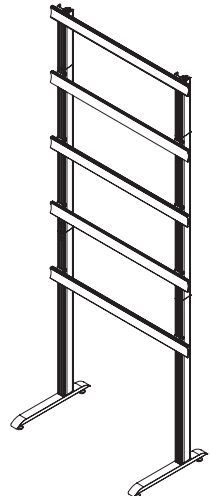
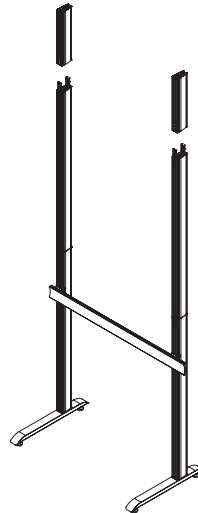
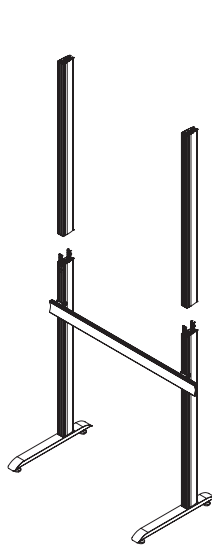
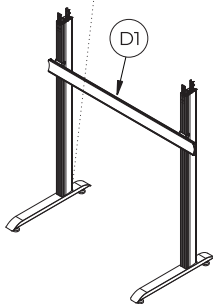
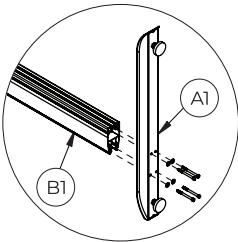
For larger installations a BT8380-WTB Wall tie-back can be used to secure the stand / column to a wall.



Installing Columns With A Height Over 2.4m (95")

B-Tech recommends when extending the vertical columns over 2.4m (95") to fix *item B1* to *item A1*, connect columns with *item D1* and build up, rather than building the product layed down on the floor (as shown in the assembly instructions).

- i. Fix a column to each base and attach the first rail to make the structure stable.
- ii. Attach the next vertical columns one at a time and fix with the joining bars.



Warning! Do not extend columns over 4.2M (165")

Optional Extending The Columns

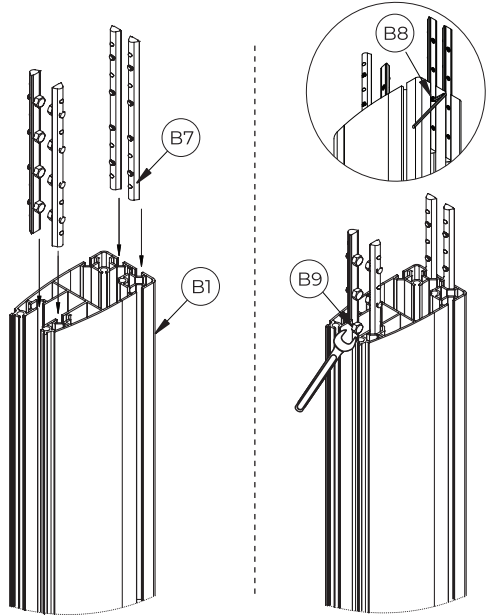
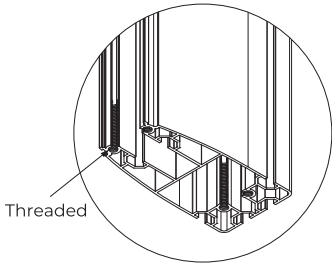
Extend Vertical Columns

i. Insert *item B7* halfway into the non-threaded end of *item B1*.

Note: The two joining bars with grub screws (*item B8*) go in the front of the column and the 2 joining bars with hex bolts (*item B9*) go in the back.

Important:

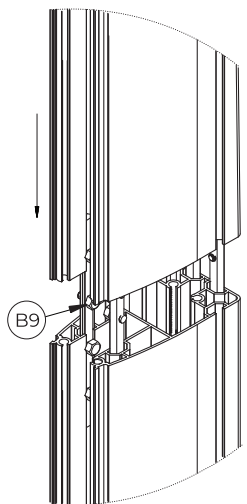
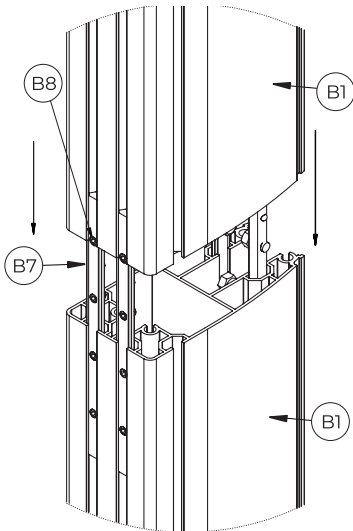
Joining bars should be inserted into the non-threaded end of the 180cm (71") column.



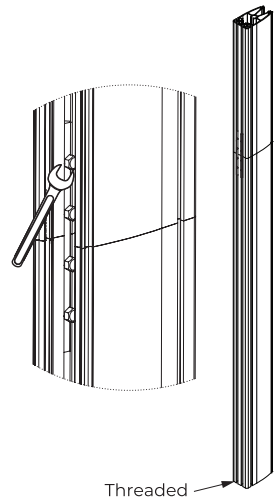
ii. Slide a second column (*item B1*) on to the top of *item B7*.

Front of Column

Back of Column



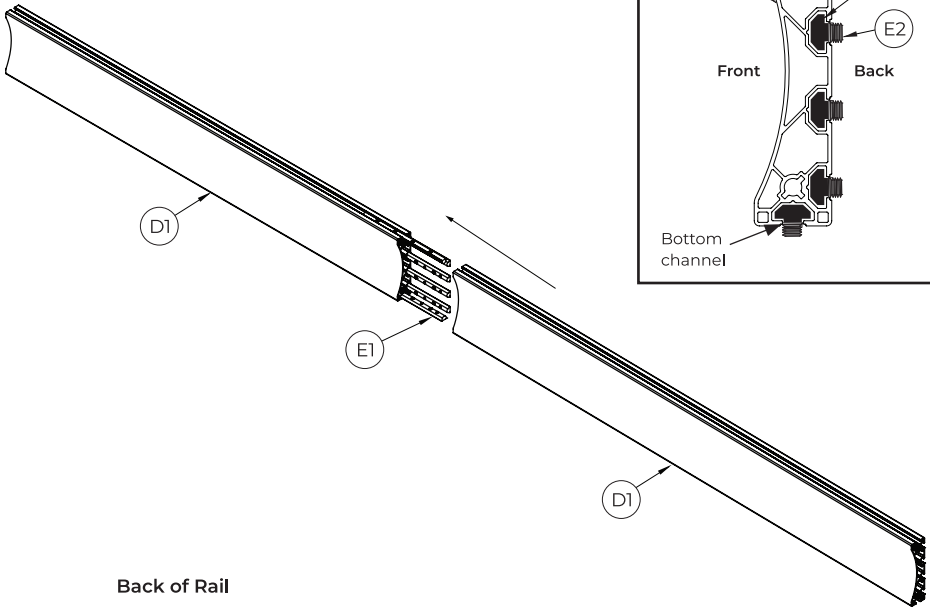
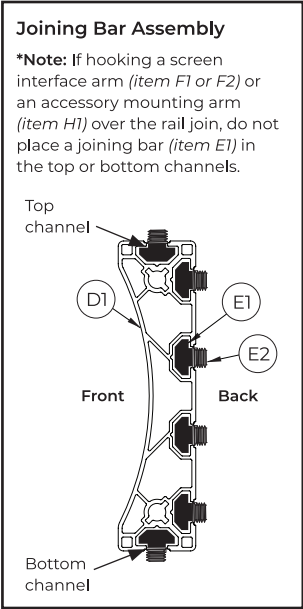
iii. Tighten hex bolts by hand. Finish tightening using a 10mm spanner.



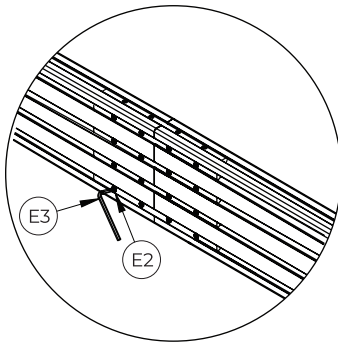
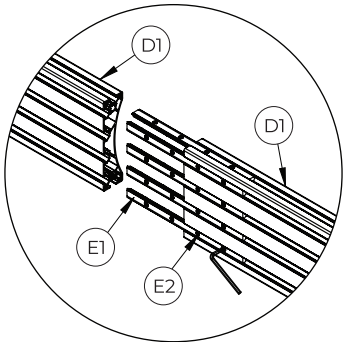
Optional Extending The Mounting Rail

Combine Mounting Rails

- i. On the back, top and bottom* of *item D1*, insert *item E1* halfway into each channel.
- ii. On each joining bar, loosely fasten *item E2* fixing it to the mounting rail.
- iii. Slide the second rail (*item D1*) onto *item E1* and tighten all *items E2*, combining the rails securely.



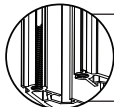
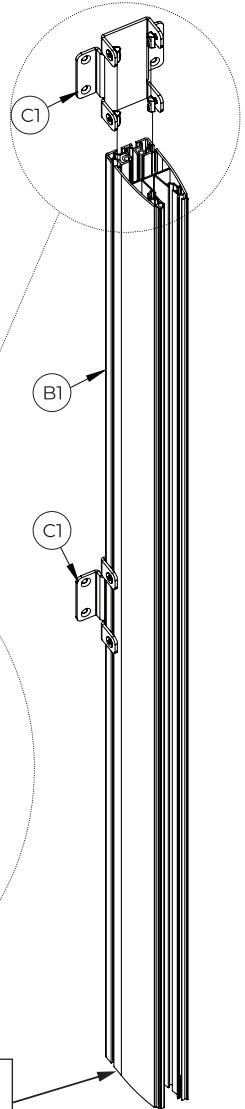
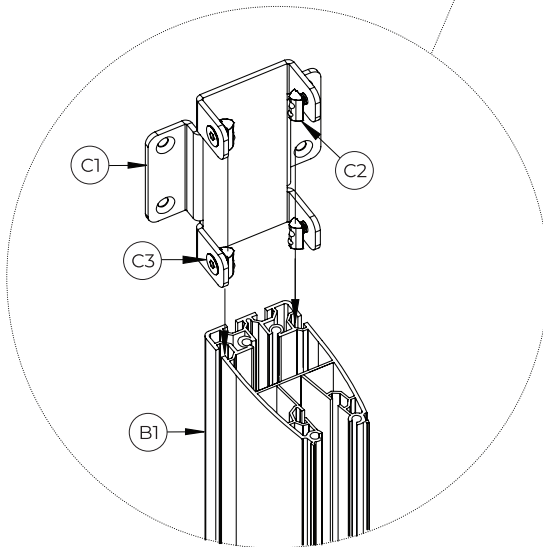
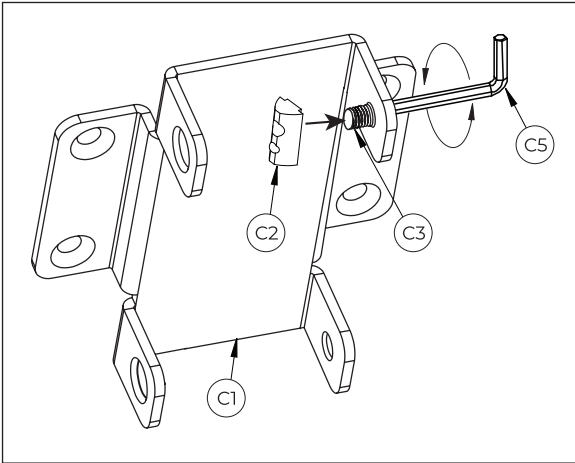
Back of Rail



Installation Instructions

1. Attach Joining Plates To Columns

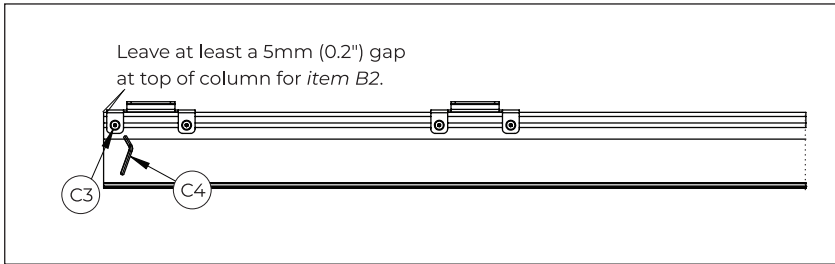
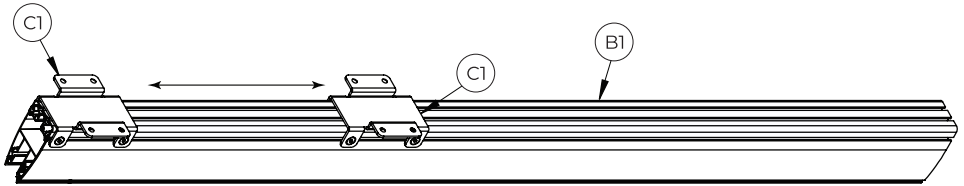
- i. On item C1, assemble 4x item C3 to item C2.
- ii. Lay the column on the floor and fit item C1 to item B1.



Important:

Make sure the end with M8 threads are at the bottom of the columns.

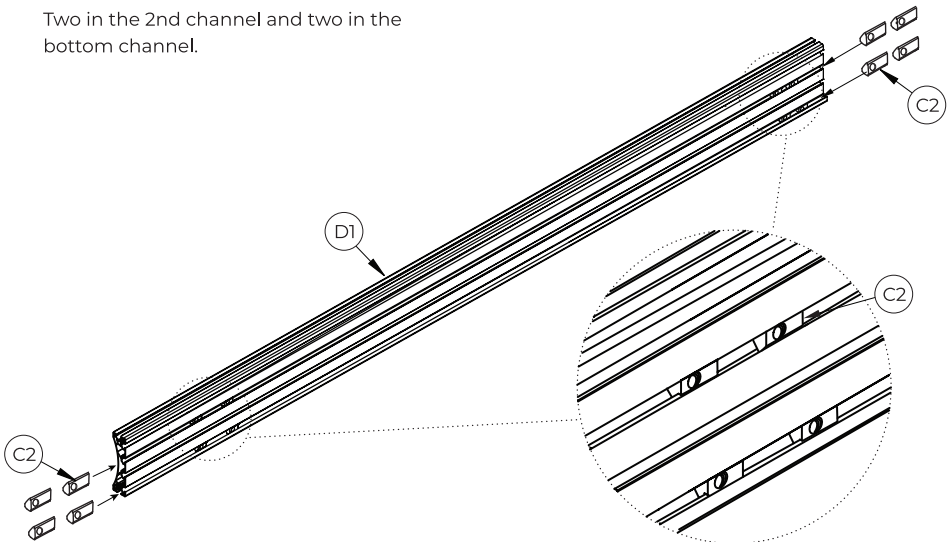
iii. Set the distance between *items C1* on *item B1* according to the screen size. Once set, tighten *item C3*.



2. Insert Sliding Nuts Into Mounting Rails

Lay the rail on the floor and for each *item C1* assembled, insert 4x *item C2* into *item D1*.

Two in the 2nd channel and two in the bottom channel.

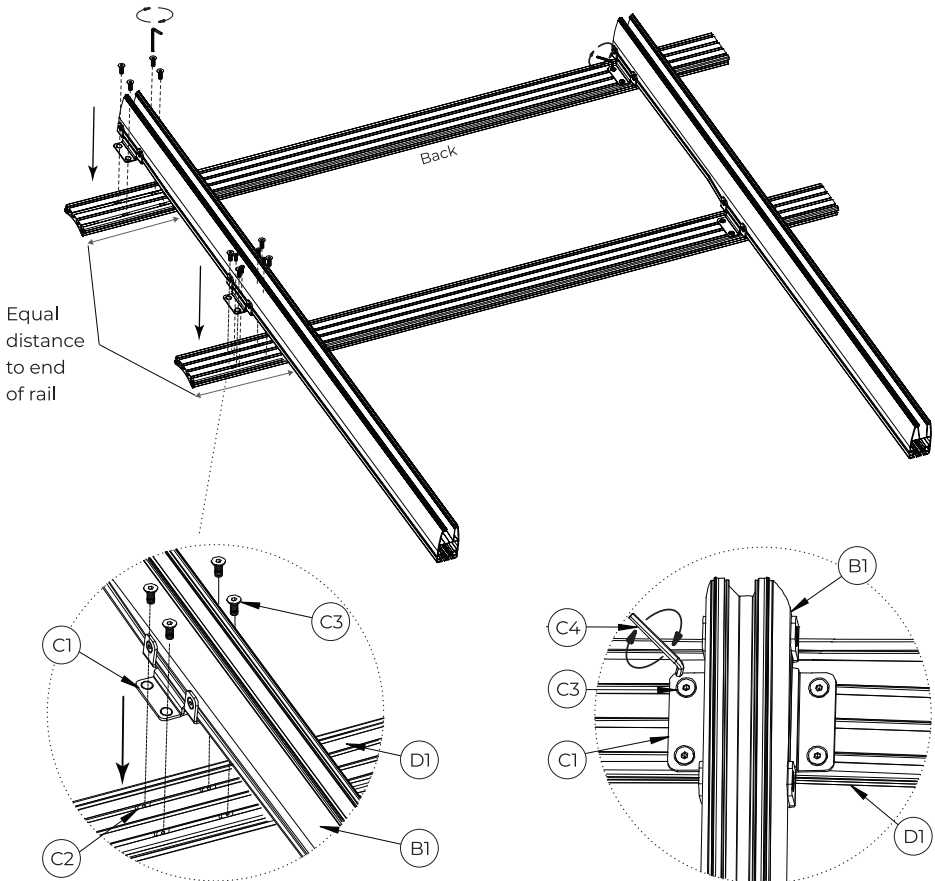
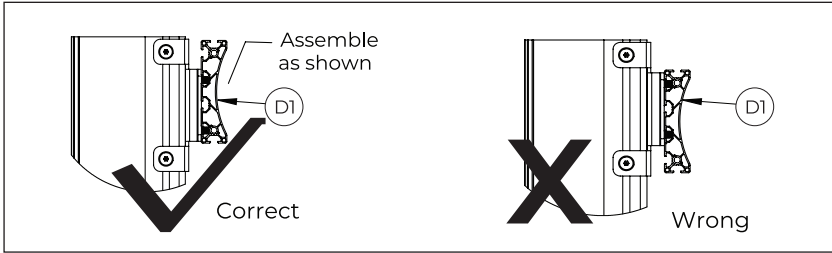


3. Attach Columns To Rails

Example installation shown: 2x2 Videowall

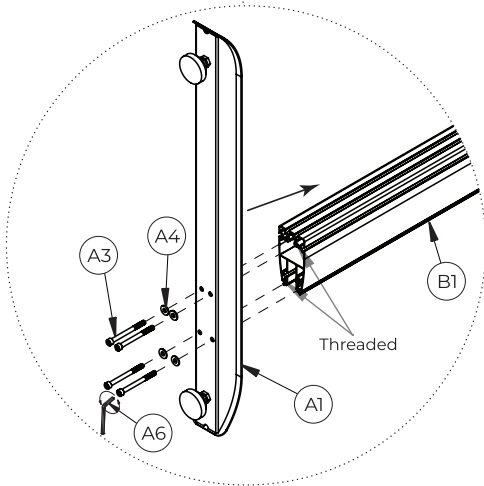
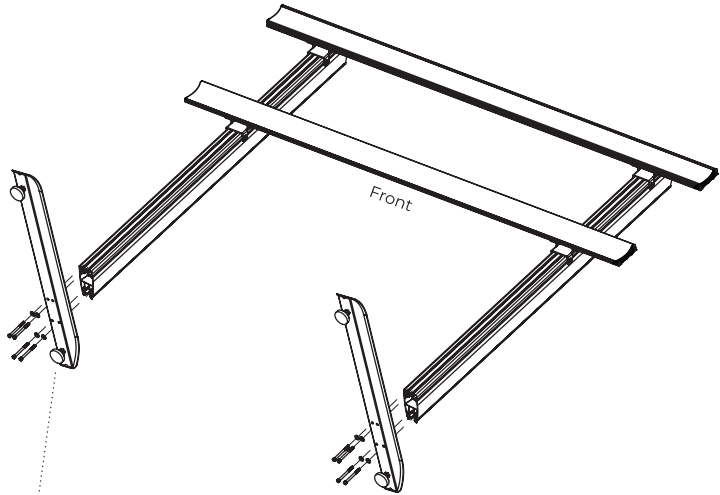
On the floor, place *item B1* onto *item D1*.
Attach *item C1* to *item D1* by fastening
item C3 into the inserted *items C2*.

Note: To ensure straight assembly of *item B1*
make sure the distance of *items C1* to the
end of *item D1* are set the same on each rail.

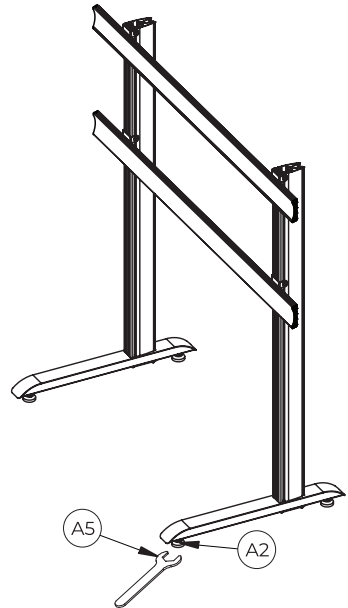


4. Assemble Bases To Columns

Attach *item A1* to *item B1* using *items A3 & A4*.
Once bases are fixed to columns, return stand to upright position.



Note: If necessary use *item A5* to adjust *item A2*.

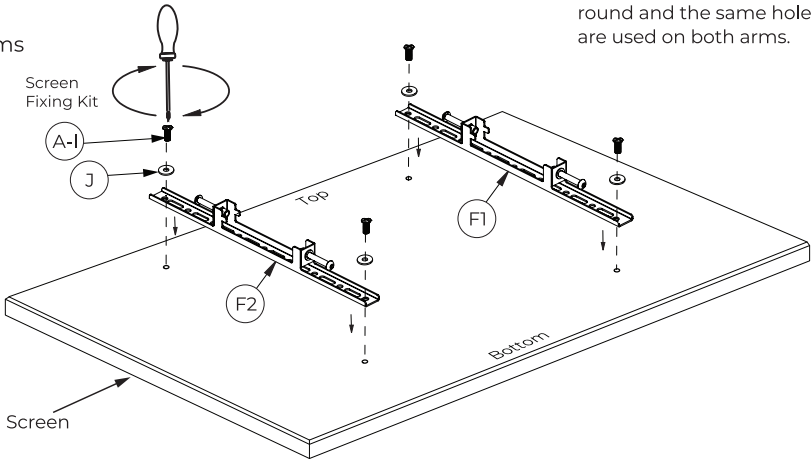


5. Attach Interface Arms To Screen

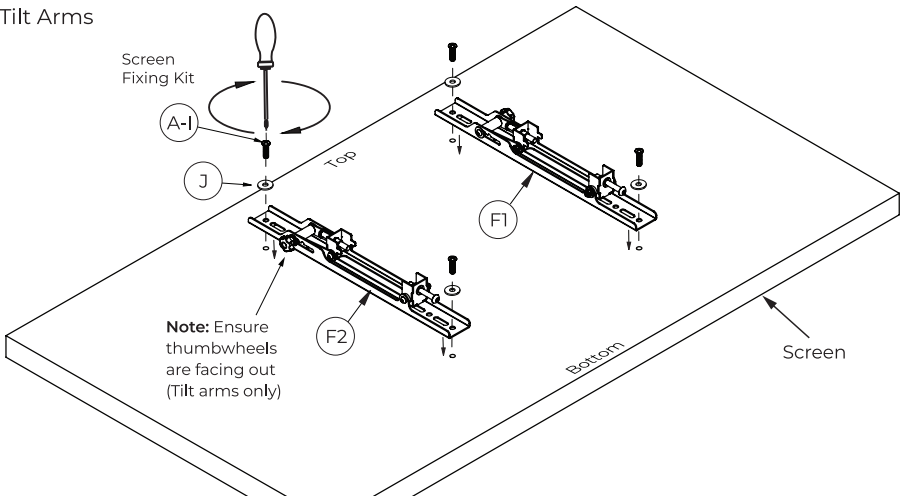
Fix items *F1* & *F2* to the rear of the screen using items *A-M*.

Note: Ensure the arms are facing the correct way round and the same holes are used on both arms.

a. Fixed Arms

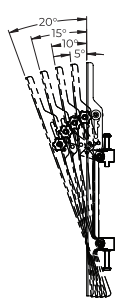
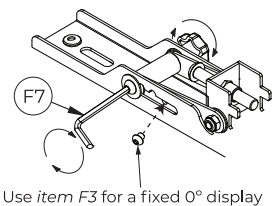


b. Tilt Arms

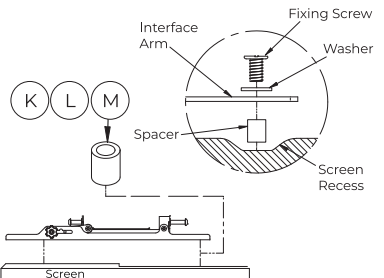


BT8390-VESA200T / BT8390-VESA400T

For tilt adjustment, use item *F7* to loosen the screw and thumbwheel on the interface arms. Re-tighten screw to fix tilt angle.



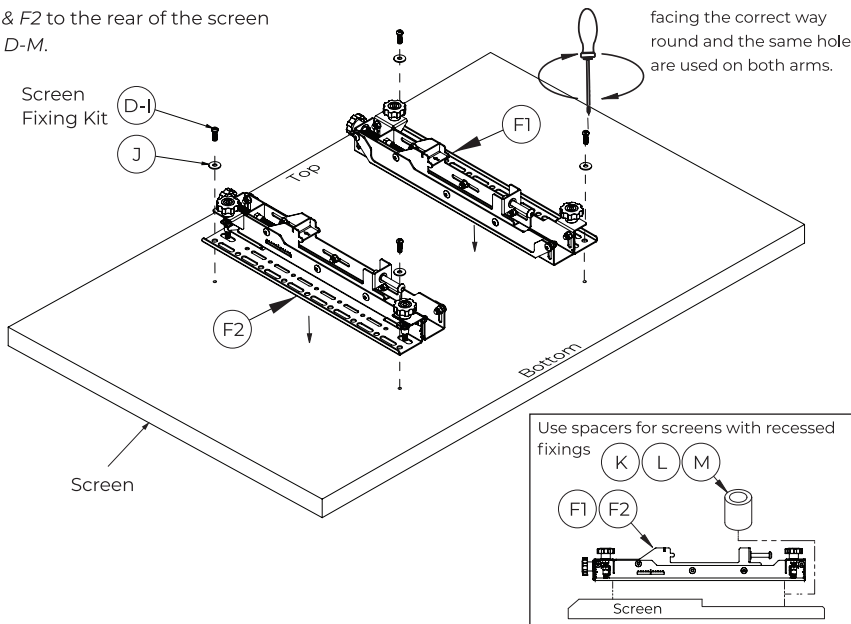
Use spacers for screens with recessed fixings



c. Fixed Micro-Adjustment Arms

Fix items F1 & F2 to the rear of the screen using items D-M.

Note: Ensure the arms are facing the correct way round and the same holes are used on both arms.

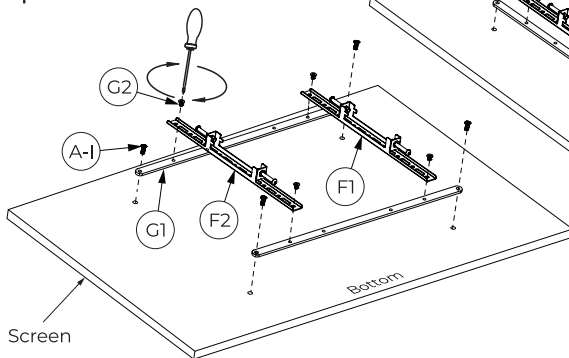


Optional Adaptor Arms

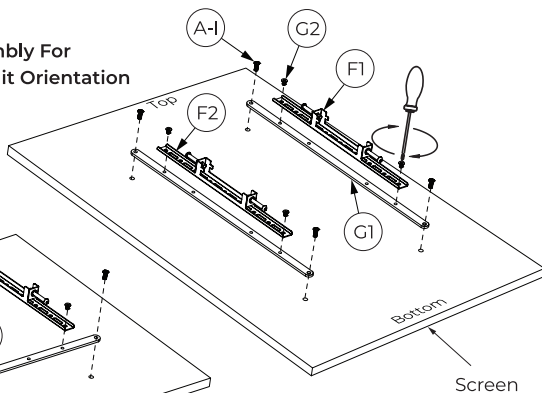
Attach Adaptor Arms To Interface Arms

- i. Use item G2 to fix item G1 to items F1 & F2.
- ii. Attach item G1 to the screen using the screen fixing kit (items A-M).

Assembly For Landscape Orientation

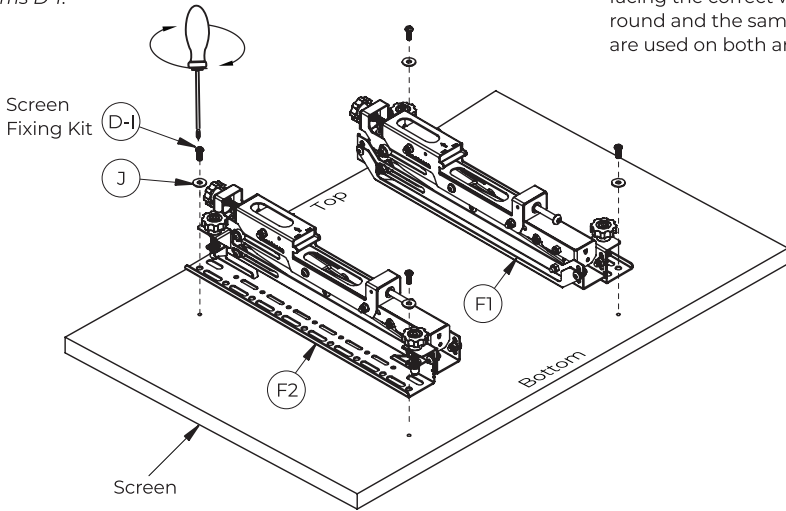


Assembly For Portrait Orientation



d. Pop-Out Micro-Adjustment Arms

- i. Attach *items F1 & F2* to the back of the screen using *items D-I*.



Note: Ensure the arms are facing the correct way round and the same holes are used on both arms.

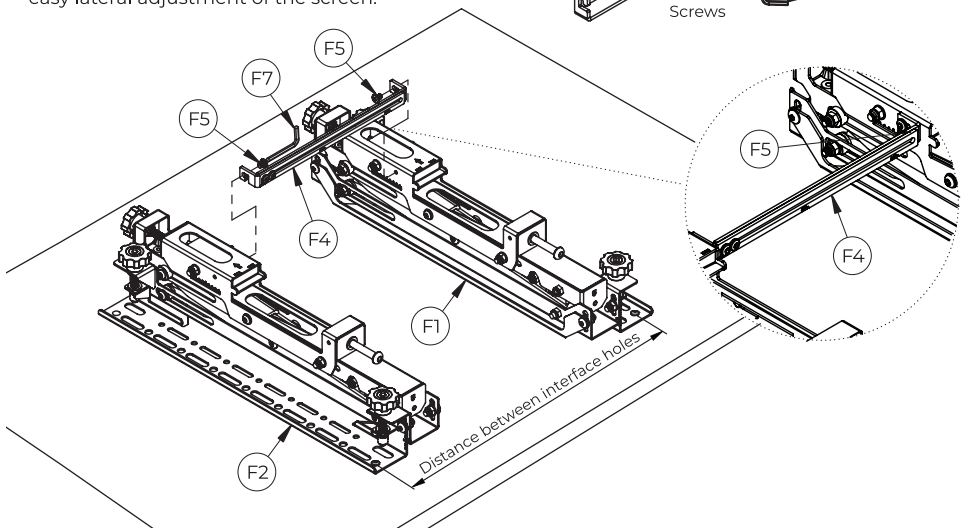
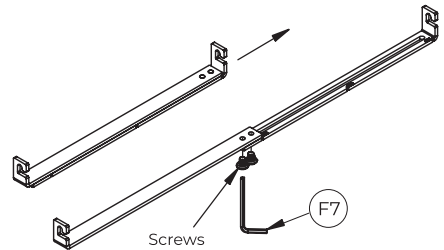
- ii. Connect interface arms with the adjustable brace.

Extend *item F4* and fix at desired length by tightening the 2 screws.

The 3 notches show the position for interface fixings at 400mm, 500mm and 600mm.

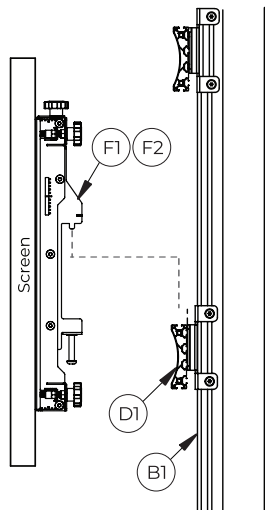
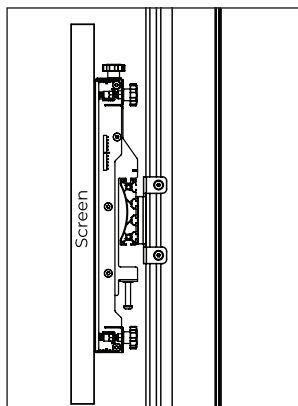
Note: The adjustable brace is only suitable for horizontal VESA fixings from 400 - 600mm.

- iii. Fix *item F4* inbetween *items F1 & F2* for easy lateral adjustment of the screen.



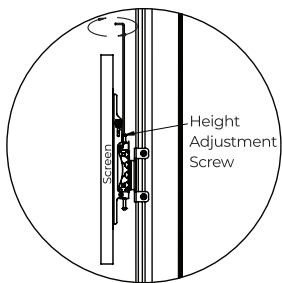
6. Mount Screen Onto Rail

i. Hook the first screen onto bottom rail of the stand.

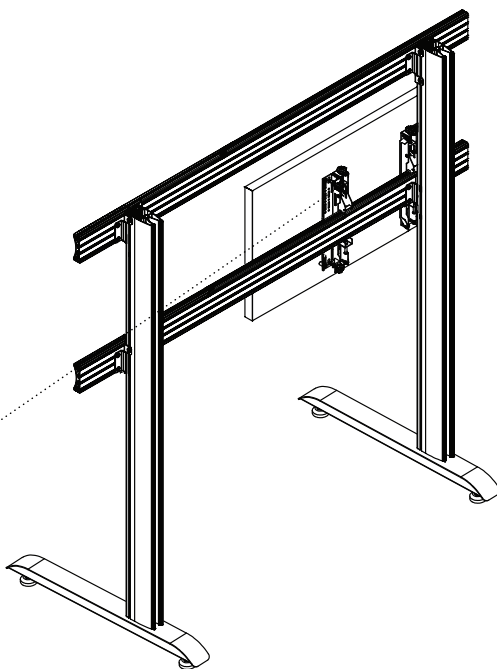
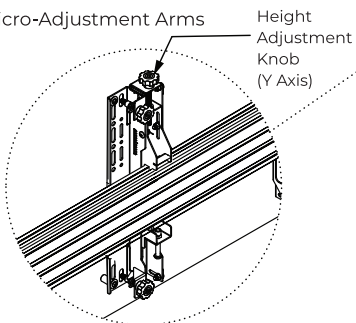


ii. With a level, align the screen to the floor using the height adjustment screws / knobs on top of the interface arms.

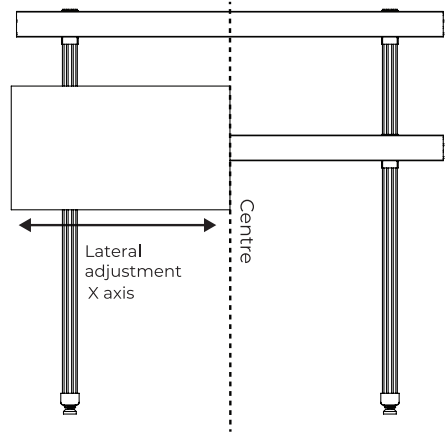
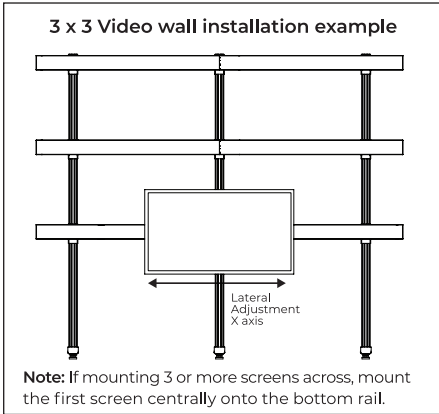
a / b. Fixed & Tilt Arms



c / d. Micro-Adjustment Arms



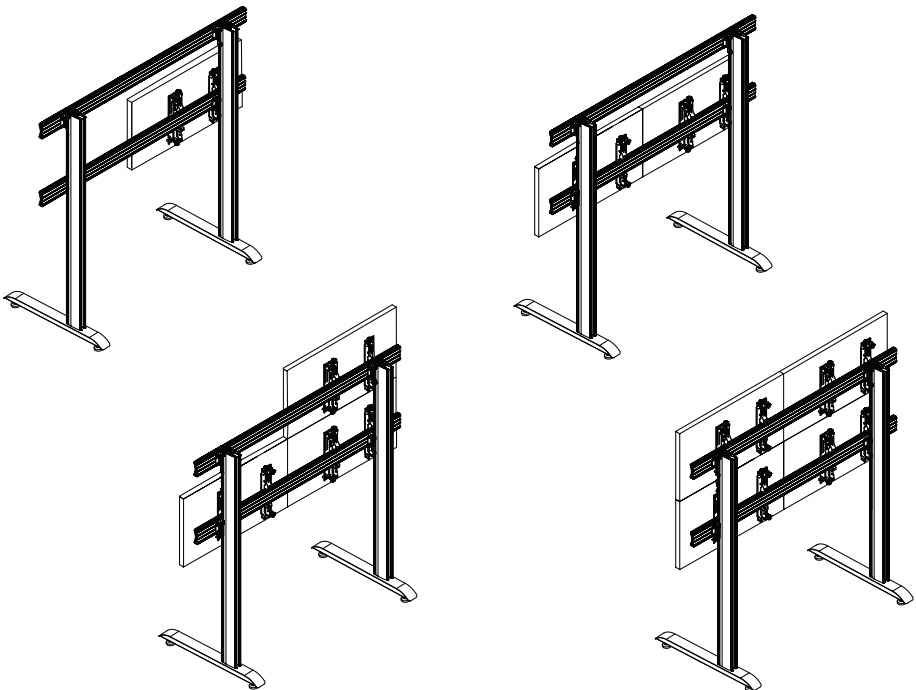
iii. Laterally adjust screen by hand.



7. Hook On The Remaining Screens

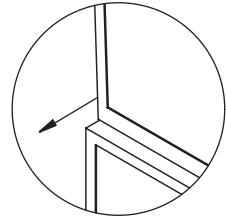
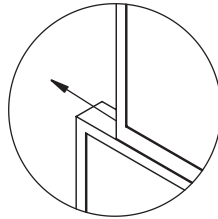
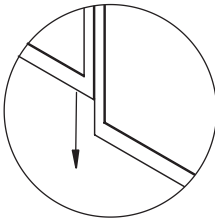
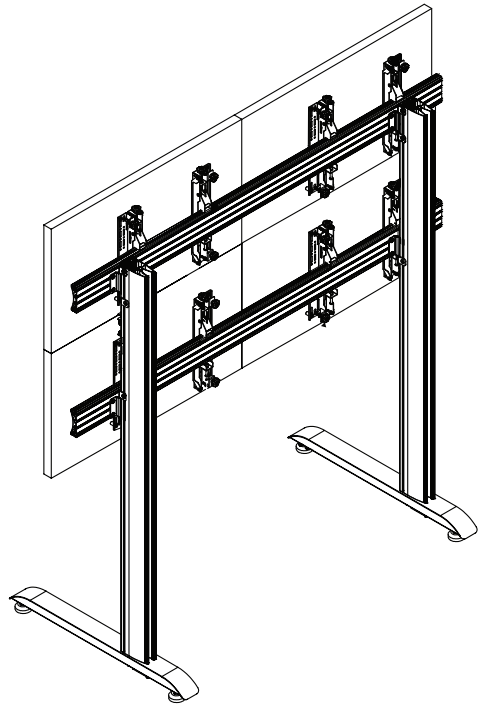
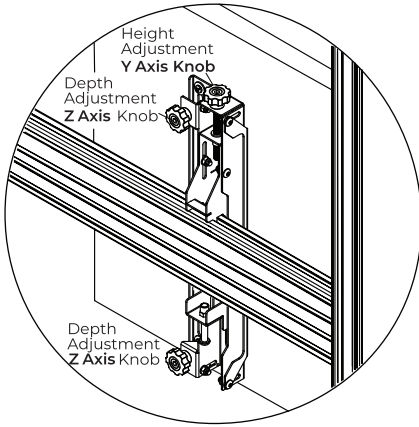
After mounting each screen use the Y & Z adjustment knobs on the interface arms to level and align screen* (see next page).

*Only applicable when using the BT8390-VESA400MAF or BT8390-VESA400MAP micro-adjustment interface arms.



Using a level, align the screen to the floor using the Y axis adjustment knobs.

Use the Z axis knobs to ensure the screen is perpendicular with the floor.



Use **Height Adjustment** (Y axis knobs) to align bottom/top of screens

Use **Lateral Adjustment** to align sides of screens

Use **Depth Adjustment** (Z axis knobs) to align front of screens

BT8390-VESA400MAF

Y Axis Knob

Z Axis Knobs

Adjustment knobs are also compatible with 6mm allen key

Adjustment lines to help with accurate Y & Z axis screen alignment

BT8390-VESA400MAF

Total Y axis adjustment is +/-25mm

Total Z axis adjustment is 20mm

BT8390-VESA400MAP

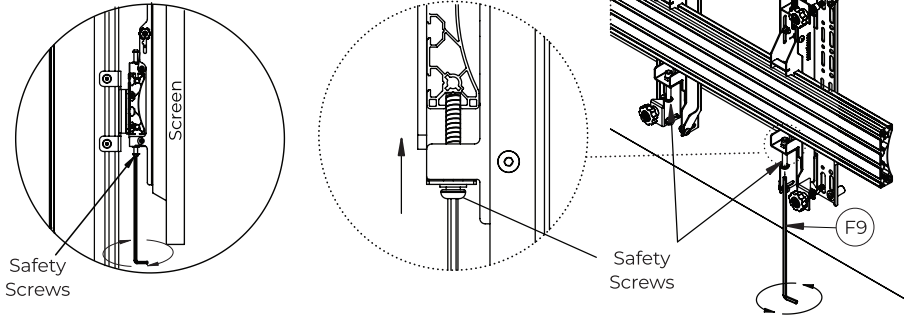
Total Y axis adjustment is +/-20mm

Total Z axis adjustment is 20mm

Note: Light pressure in the desired direction of travel will assist in the adjustment of knobs when using heavier screens

8. Secure Screens

Once screens are aligned, tighten the safety screws on the bottom of *items F1 & F2*.



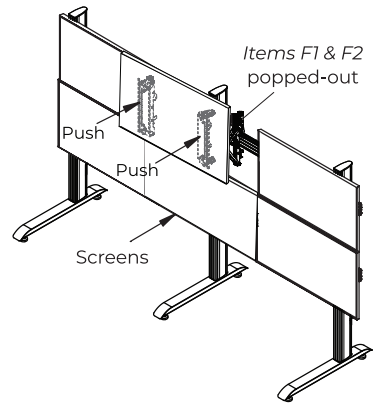
Operating Instructions

9. Servicing Screens (Pop-Out Arms Only)

Push centrally at the left and right of the screen to pop-out the mount. The screen will rest in the 'open' position for servicing.

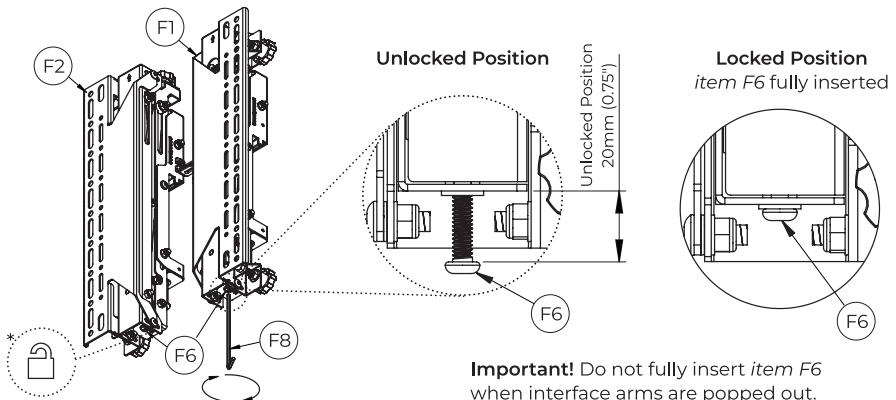
Note: Ensure pop-out function is not disabled (see below).

Important! Be careful not to damage the screen when pushing. Keep hold of the screen as it moves outwards.



Optional Disabling Pop-Out Function

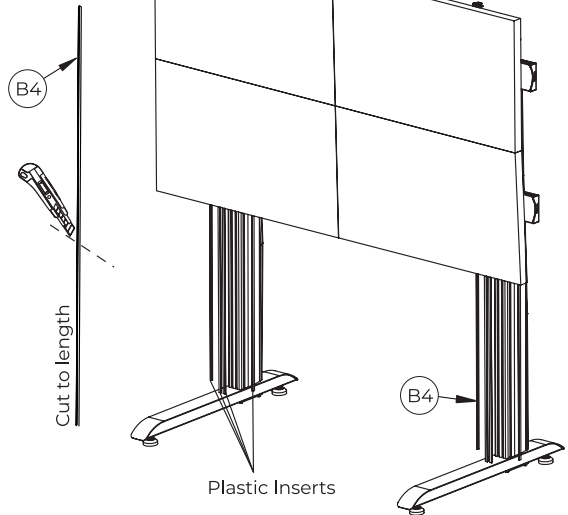
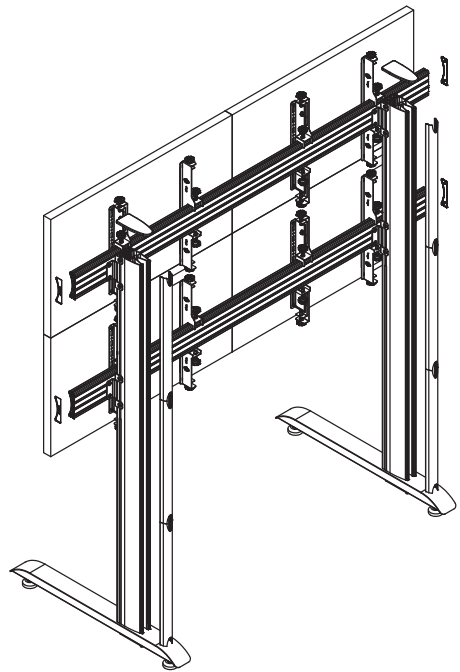
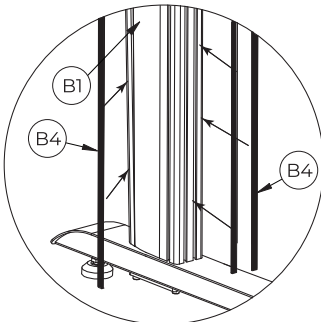
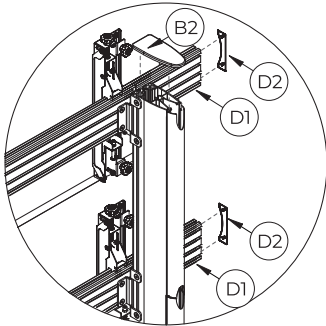
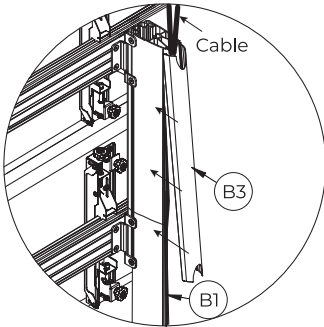
To prevent interface arms from popping out, fully insert and tighten *item F6* at the padlock* symbol at the bottom of *items F1 & F2*.



Important! Do not fully insert *item F6* when interface arms are popped out.

10. Add End Caps And Covers

- i. After screen cables are connected and routed down the back of *item B1*, partially clip on the cable management covers (*item B3*), this allows easy removal if more cables need adding. Once satisfied all cables are fitted, clip *item B3* on fully.
- ii. Fit *item B2* to the top of *item B1*.
- iii. Fit *item D2* to the ends of *item D1*.
- iv. With a knife, cut to length *item B4* and insert to the front and sides of *item B1*.



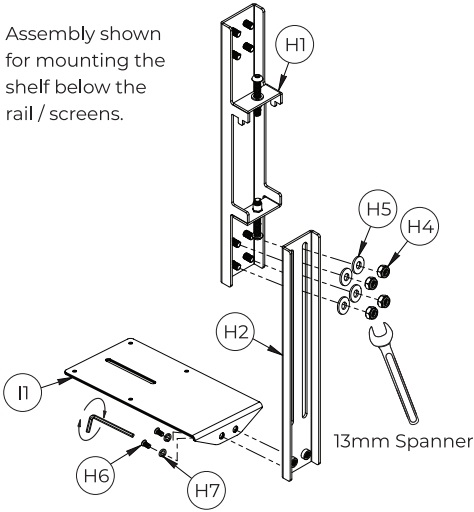
Warning! Contact a professional AV installer or other suitably qualified person for any further operation or removal of equipment after installation

Optional Component Accessories

Installing A Camera Shelf

- i. Attach item H2 to item H1 using items H4 & H5.
- ii. Attach item I1 to item H2 using items H6 & H7.

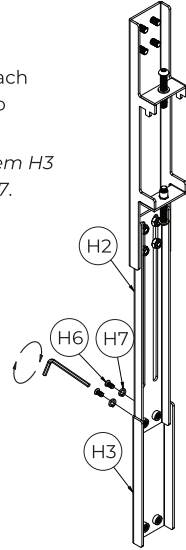
Assembly shown for mounting the shelf below the rail / screens.



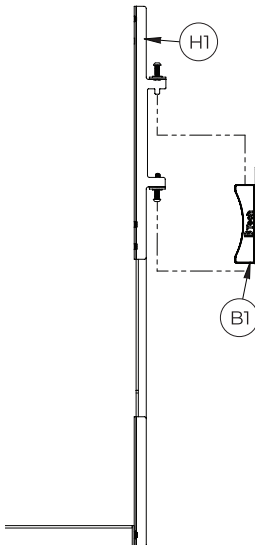
Note: Assemble accessory arm onto the mounting rail before mounting screens to rail.

Optional Add Extension Bar

- i. For an extended reach attach item H3 onto item H2.
- ii. Attach item I1 to item H3 using items H6 & H7.

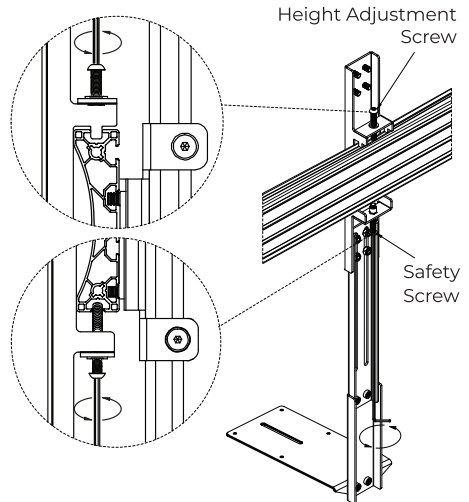


- iii. Hook item H1 onto item B1.



- iv. Secure shelf to rail.

Optional: Level the shelf bracket by using height adjustment screw on item H1. Use the safety screw underneath the hook arm to secure the shelf bracket to rail.



- v. Use items I2 & I3 to fix a camera to item I1.

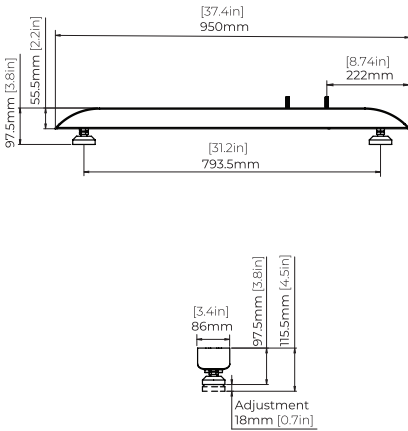
BT8370 Dimensions

Please keep this for future reference

Depending on installation requirements, the BT8370 Videowall Stand will feature a selection of the following products.

Base

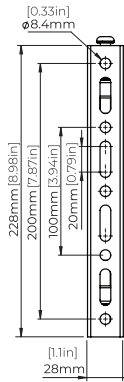
BT8380-BASE



Interface Arms

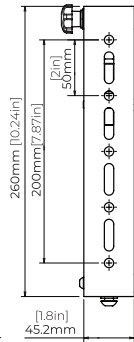
BT8390-VESA200F

Fixed VESA 200mm Interface Arms



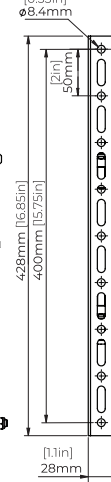
BT8390-VESA200T

VESA 200mm Interface Arms with Tilt



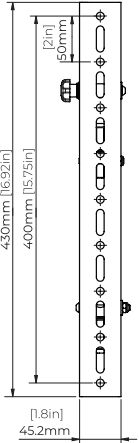
BT8390-VESA400F

Fixed VESA 400mm Interface Arms



BT8390-VESA400T

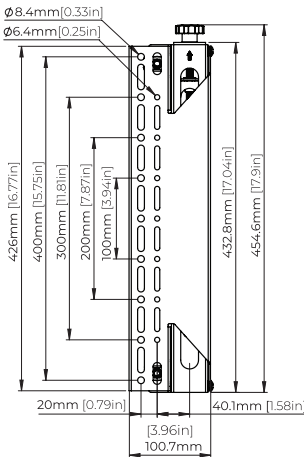
VESA 400mm Interface Arms with Tilt



Interface Arms

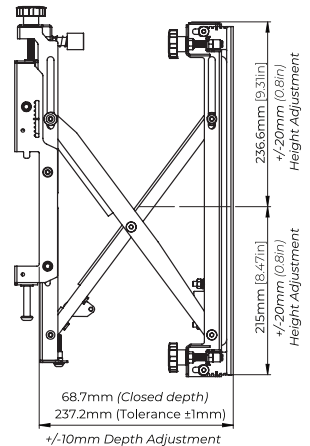
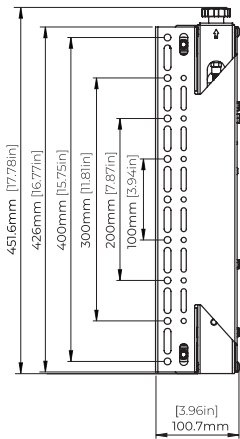
BT8390-VESA400MAF

Fixed VESA 400mm Interface Arms with Micro-Adjustment



BT8390-VESA400MAP

Pop-Out VESA 400mm Interface Arms with Micro-Adjustment



These instructions are intended as a guide only and B-Tech accepts no liability for the accuracy of the information contained in this document.

BT8370

Contact: info@btechavmounts.com

©2024 B-Tech AV Mounts Corporation Ltd. All rights reserved.

B-Tech AV Mounts is a division of B-Tech AV Mounts Corporation Ltd.
B-Tech AV Mounts and the B-Tech logo are registered trademarks.
All B-Tech images and symbols are exclusive property of B-Tech AV Mounts Corporation Ltd.
All other brands and product names are trademarks of their respective owners.
Any reproduction, retransmission or republication of any part of this manual is strictly prohibited, unless prior written permission has been granted by B-Tech AV Mounts Corporation Ltd.
Photographs are for illustrative purposes only. E&OE

Manufactured by:
B-Tech International Design & Manufacturing Ltd
Unit 26, 22/F Metro Centre II, 21 Lam Ling St., Kowloon Bay, Kowloon, Hong Kong

AMA-BT8370-V2.1-0924-BTECH Made in the P.R.C.

