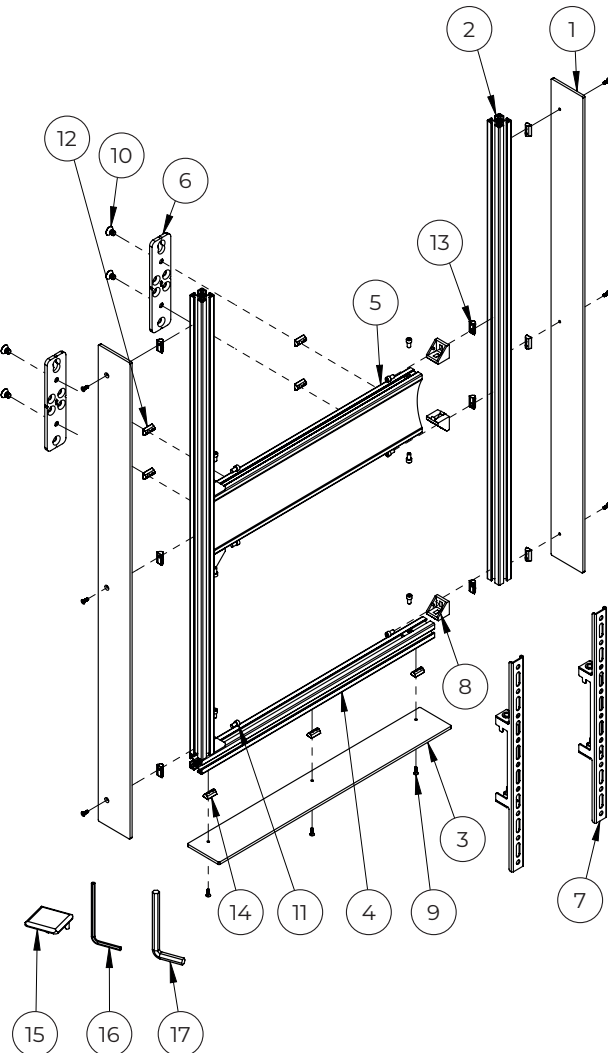


Portrait Flat Screen Wall Mount

For Samsung QM43

Parts List & Installation Guide



Item	Description	Qty
1	Side Cover	2
2	Side Rail	2
3	Bottom Cover	1
4	Bottom Rail	1
5	Mounting Rail	1
6	Wall Mount	2
7	Interface Arm	2
8	Corner Bracket	6
9	M4 x 12mm Screw	9
10	M8 x 12mm ACS Screw	4
11	M6 x 10mm Screw	12
12	M8 Sliding Nut	4
13	M6 Sliding Nut	12
14	M4 Sliding Nut	9
15	End Cap	2
16	Hex Key 2.5AF	1
17	Hex Key 5AF	1
Screen Fixings		
A	M8 x 12mm CCS Screw	4
Wall Fixings		
A1	N .10 Wall Plug	4
A2	ST8 x 45mm CSK Wood Screw	4

Installation Safety Instructions



Caution: This mount is intended for use only with the maximum weights indicated. Use with equipment heavier than the maximum indicated may result in instability causing possible injury.

B-Tech AV Mounts, it's distributors and dealers are not responsible for damage or injury caused by improper installation, improper use, modifications, installations over the specified weight capacity and/or failure to observe these safety instructions. In such cases, any warranty will expire.

It is recommended that this product should only be installed by a qualified professional / installer.

B-Tech AV Mounts does not claim any liability for any difficulties that may arise from the interpretation contained in these instructions. Failure to mount this product correctly may lead to serious injury and/or death.

Please check carefully to make sure there are no missing or defective parts - defective parts must never be used.

In the event of missing and/or defective parts, or technical questions, please contact an authorised dealer.

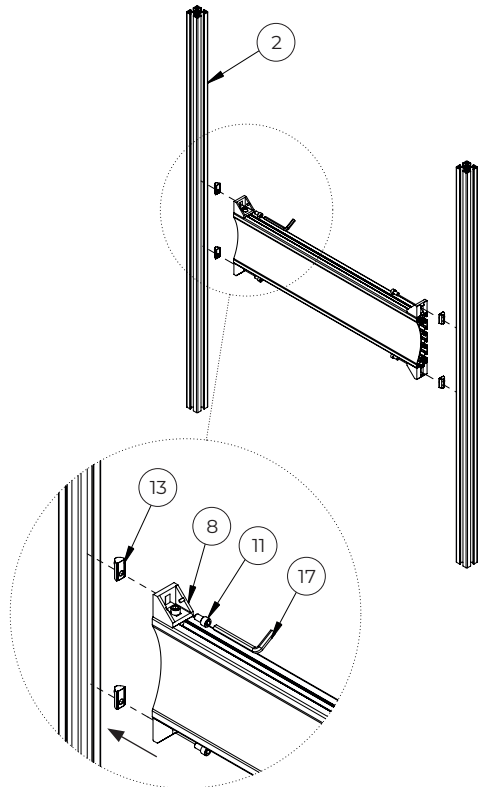
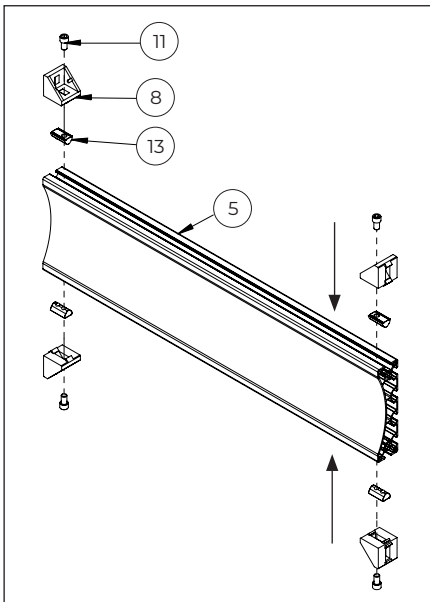
Pay careful attention to where this product is located, some locations are not suitable for installation. For indoor use only. It is recommended that periodic inspections of the product are made as frequently as possible to ensure that safety is maintained.

Please keep these instructions for future reference.

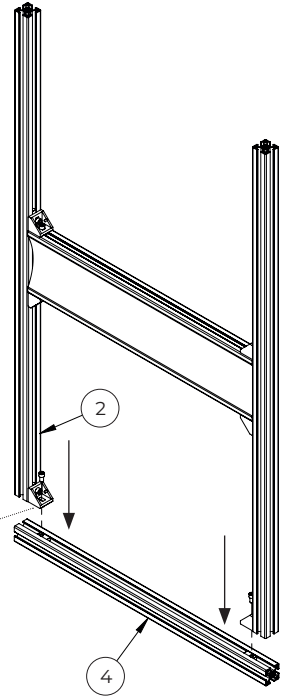
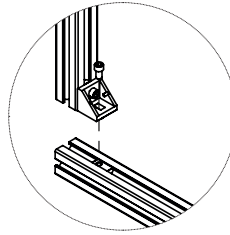
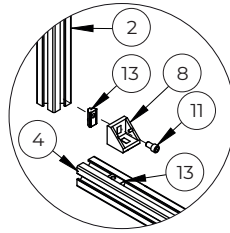
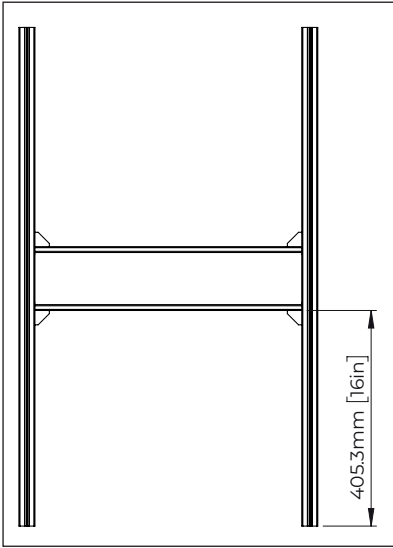
Installation Instructions

1. Assemble Frame

- i. Attach *item 8* to the top and bottom of *item 5* using *items 11 & 13*.
- ii. Fix *item 2* onto the sides of *item 5* using *items 11 & 13*.

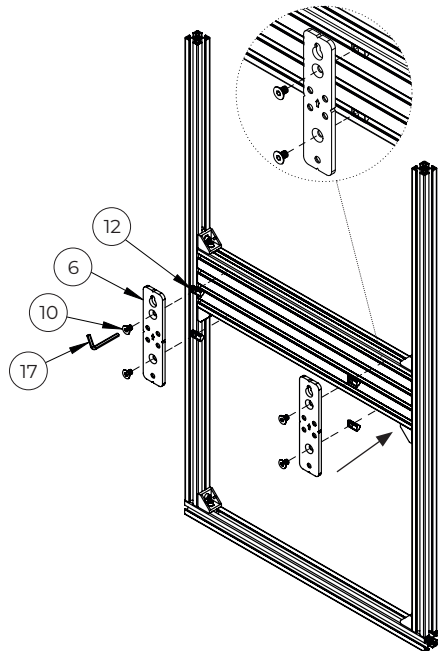
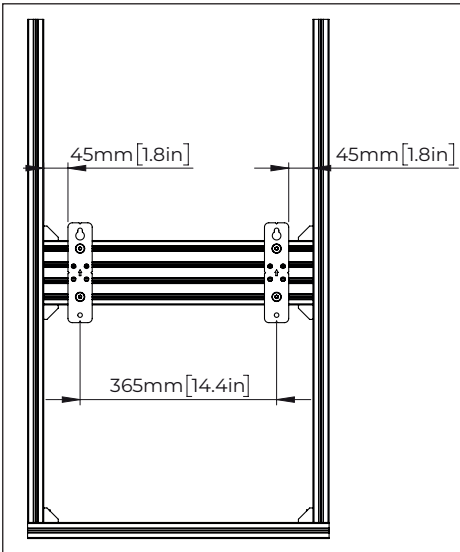


iii. Fix item 4 to the bottom of item 2 using items 8, 11 & 13.



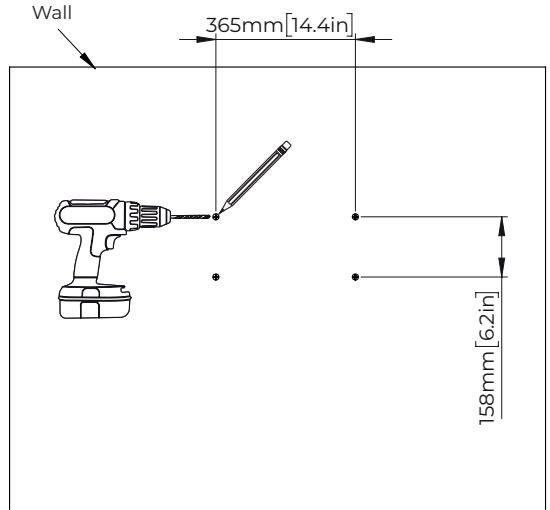
2. Mount Frame To Wall

i. Attach item 6 to the rear of item 5 using items 10 & 12.

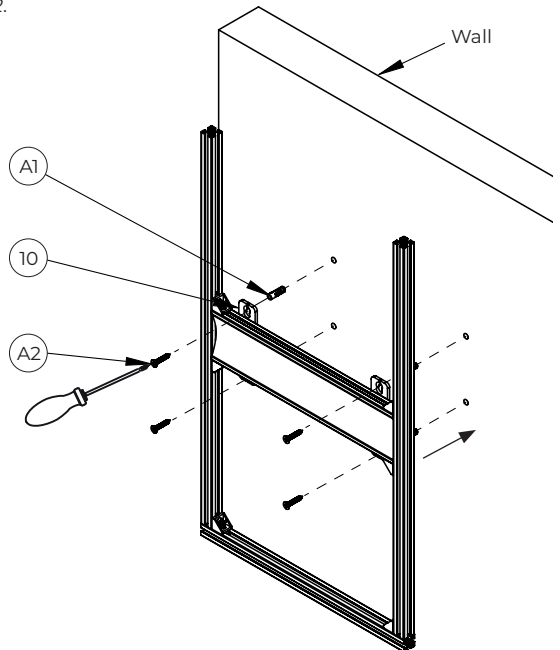


Fix Frame To Wall

- ii. Mark and drill 4x mounting holes in the wall.



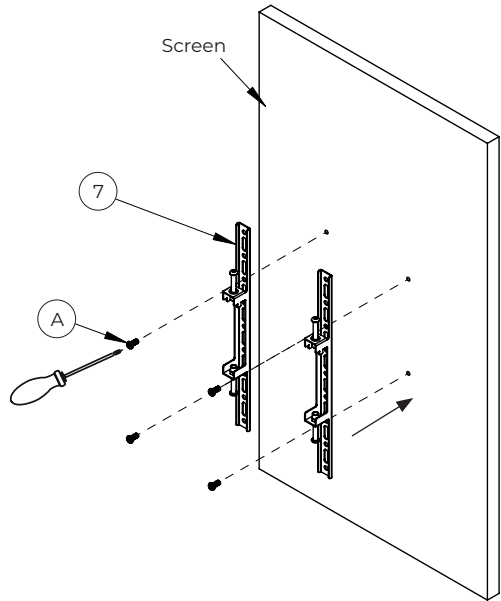
- iii. Fix *item 10* to the wall using *items A1* & *A2*.



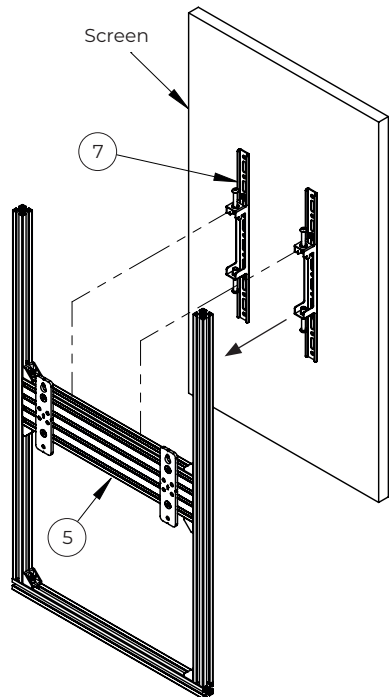
3. Mount Screen Onto Rail

i. Fit *item 7* to the rear of the screen using *item A*.

Note: Ensure the arms are facing the correct way round and the same holes are used on both arms.



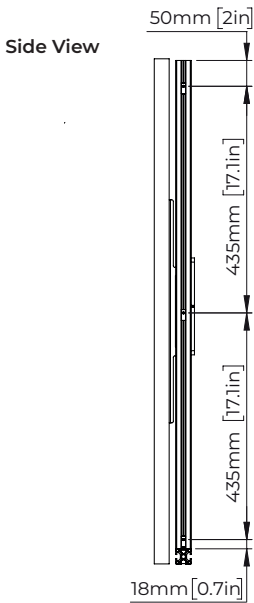
ii. Using *item 7*, hook screen onto *item 5*.



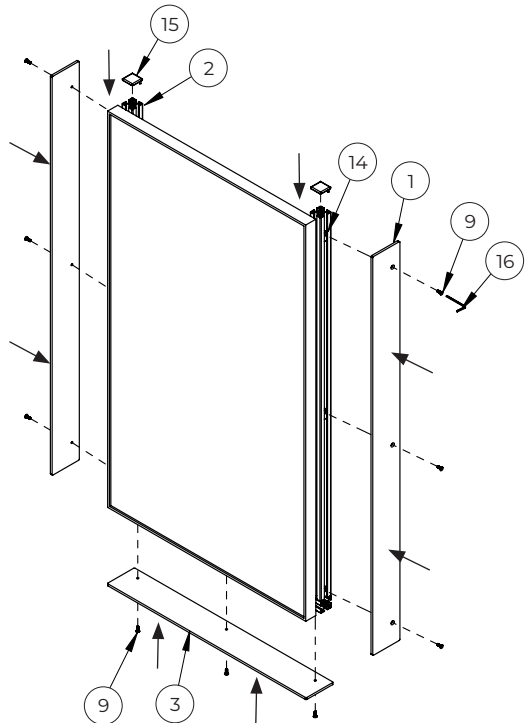
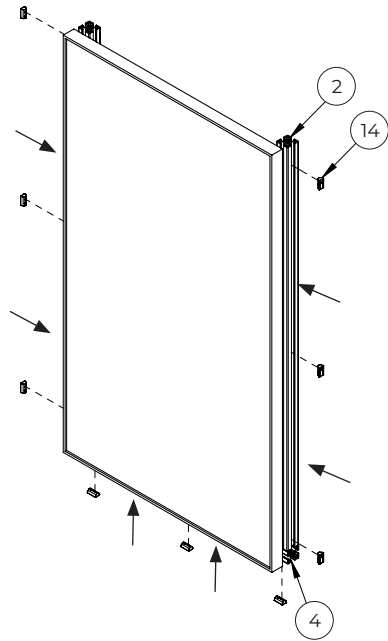
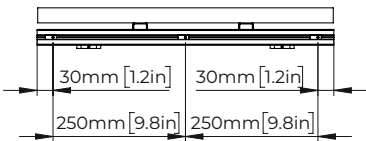
4. Fix Covers To Frame

- i. Insert 3x *item 14* into the channels of *items 2* & 4.
- ii. Fix *item 1* to the sides of *item 2* and *item 3* to the bottom of *item 4* using *items 9* & 14.
- iii. Fit *item 15* on to the top of *item 2*.

Note: Mark the approximate locations of *item 14* directly on the rails before inserting them into the channels.



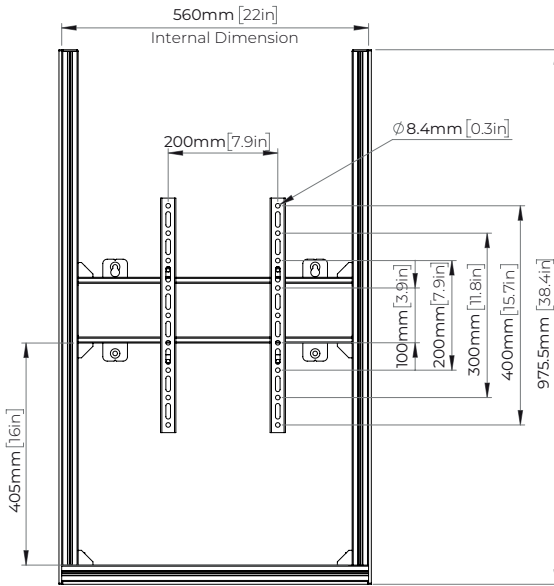
Bottom View



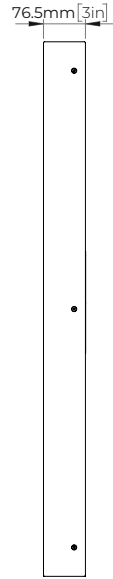
BT6732 Dimensions

Please keep this for future reference

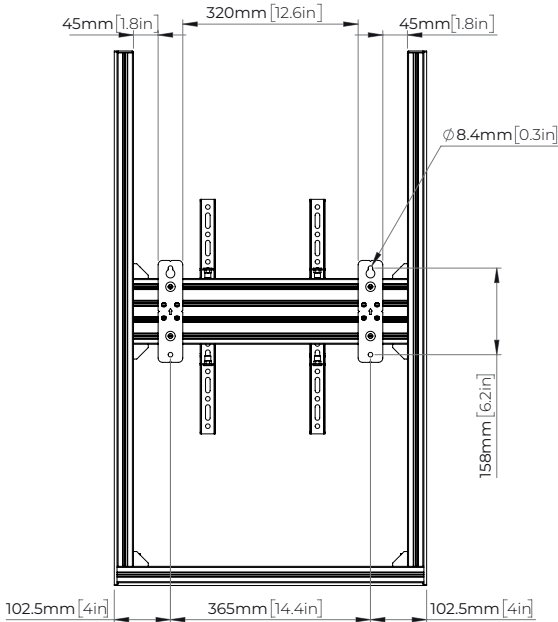
Front View



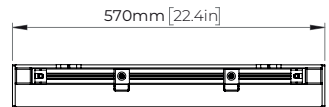
Side View



Rear View



Top View



These instructions are intended as a guide only and B-Tech accepts no liability for the accuracy of the information contained in this document.

Contact: info@btechavmounts.com

©2025 B-Tech AV Mounts Corporation Ltd. All rights reserved.

B-Tech AV Mounts is a division of B-Tech AV Mounts Corporation Ltd.

B-Tech AV Mounts and the B-Tech logo are registered trademarks.

All B-Tech images and symbols are exclusive property of B-Tech AV Mounts Corporation Ltd.

All other brands and product names are trademarks of their respective owners.

Any reproduction, retransmission or republication of any part of this manual is strictly prohibited,

unless prior written permission has been granted by B-Tech AV Mounts Corporation Ltd.

Photographs are for illustrative purposes only. E&OE

AMA-BT6732-V3-0124-BTECH Made in the P.R.C.

