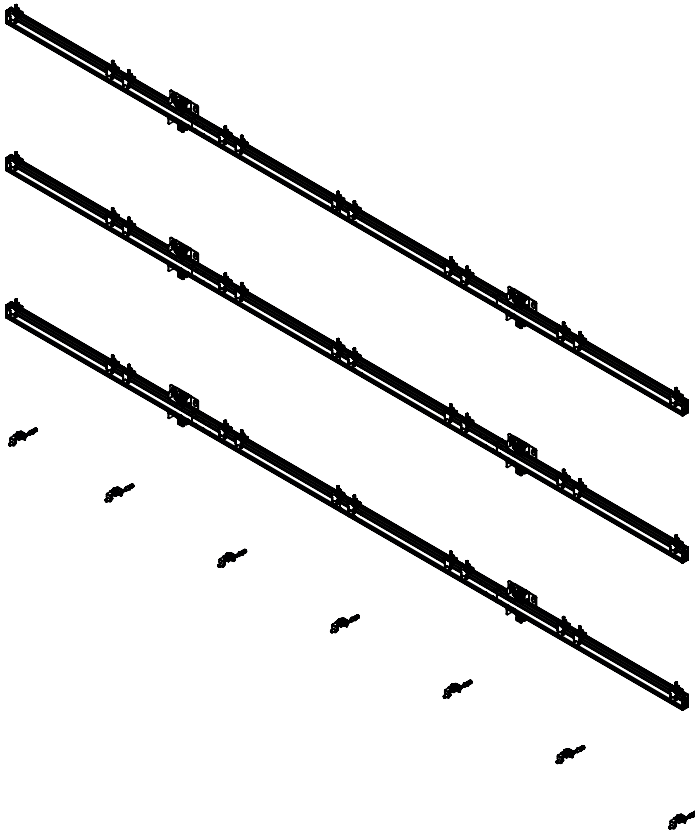


Universal 27" dvLED Wall Mount

Installation Guide

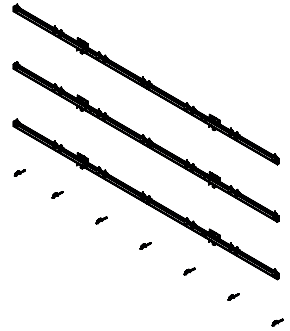


- Universal design for wall mounting latching 27" dvLED cabinets* in a 6x6 configuration
- Mounts cabinets 60mm (2.36") from wall
- Height & depth adjustment: +/-5mm (0.2")
- Keyhole mounting for easy assembly
- Simple 'Hook-on' installation

*Cabinet width: min. 600mm - max. 610mm (23.6" - 24.01")



Installation Safety Notes	2
Parts List	4
Installation Instructions	6
Product Dimensions	22
B-Tech Contact Details	24



Installation Safety Instructions



Caution: This mount is intended for use only with the maximum weights indicated. Use with equipment heavier than the maximum indicated may result in instability causing possible injury.

Do not attempt to install this product until all instructions and warnings have been read and properly understood. *Please keep these instructions for future reference.*

Please check carefully to make sure there are no missing or defective parts - defective parts must never be used. B-Tech AV Mounts, its distributors and dealers are not liable or responsible for damage or injury caused by improper installation, improper use or failure to observe these safety instructions. In such cases, all guarantees will expire.

General

B-Tech AV Mounts recommends that a professional AV installer or other suitably qualified person install this product. Great care must always be taken during installation as most AV equipment is of a fragile nature, possibly heavy and easily damaged if dropped. If you do not fully understand the instructions or are not sure how to install this product safely, then please consult a professional for advice and/or to install this product for you. Failure to mount this product correctly may cause serious injury or death both during installation and at any time thereafter. Do not mount any AV equipment that exceeds the specific weight limit of the product you are installing. This weight limit will be clearly stated on each product and its packaging and will vary from product to product.

Product location

Please pay careful attention to where this product is located. Check load capacity of the wall prior to installation as some surfaces are not suitable for installation. Designed for indoor use, this mount is suitable for public or home installation. If located in a public or frequently populated area ensure that the product is out of the immediate reach of people. If any AV equipment is to be suspended over the likely path or location of people then great care should be taken to secure all parts of the installation from falling. When drilling holes it is essential to avoid contact with electrical cables and water or gas pipes contained within. Use of a good quality live wire detector and hidden object locator is therefore recommended. Only drill into structures when you are sure it is safe to do so.

Fixing hardware

It is highly recommended that all fixing screws be used where supplied and that the purpose of all other fixing hardware is fully understood. In some cases more AV equipment fixing hardware will be supplied to accommodate different models of equipment and set up configurations. The installer must be satisfied that any supplied fixing hardware is suitable for each specific installation. The fixing kit supplied with the product may not be suitable for all walls. If any fixing screws or included hardware are deemed not sufficient for a safe installation then please consult a professional or your local hardware store.

Hazard limitation

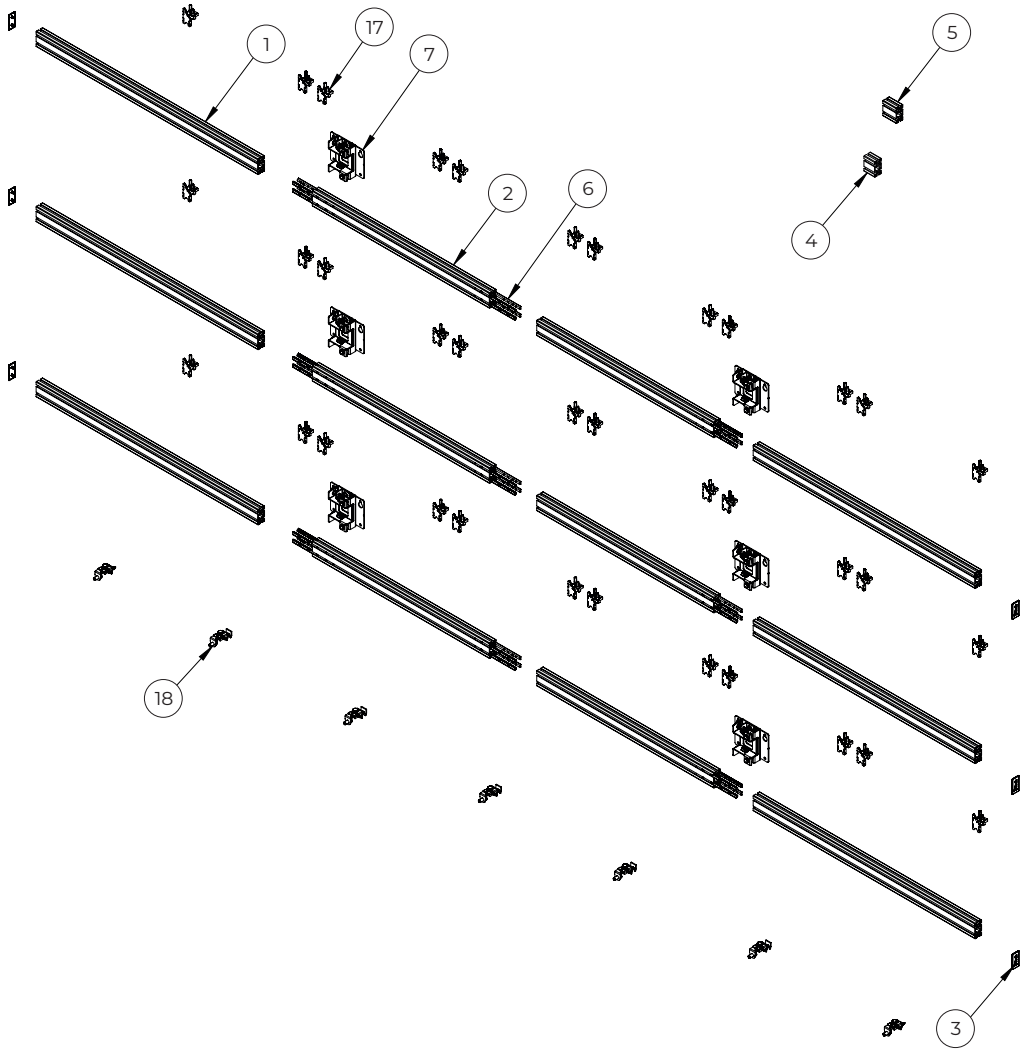
When routing cables take advantage of any built in cable management features that the product might provide and ensure that all cables are tidy and secure. Check to see that any moving aspect of the product can do so unhindered by any cabling. Some products have moving parts and the potential to cause injury through the crushing or trapping of fingers or other body parts. Particular attention to the nature of moving parts is required especially when assembling installing and adjusting during set up. Immediately after installation double-check that the work done is safe and secure. Double-check all necessary fixings are present and are of ample tightness. It is recommended that periodic inspections of the product and its fixing points are made as frequently as possible (no more than 6 months apart) to ensure that safety is maintained. If in doubt consult a professional AV installer or other suitably qualified person.

- CN B-Tech AV Mounts 建议本产品由专业AV安装人员或其他合格人员安装。B-Tech AV Mounts 及它的代理商、经销商不对由于不恰当的安装而造成的损失或伤害负责。本产品必须安装在合适的架构上，并仅用于不超过所标示的最大承重。
- CS Společnost B-Tech AV Mounts doporučuje provést instalaci tohoto produktu instalátora AV či jinak způsobilé osoby. Společnost B-Tech AV Mounts, její distributoři a prodejci nenesou prostřednictvím odborného odpovědnost za škody nebo zranění způsobená nevhodnou instalací. Tento výrobek je nutno umístit do vhodné konstrukce a používat jen po uvedené maximální výšce.
- DE B-Tech AV Mounts empfiehlt, dass dieses Produkt durch einen qualifizierten AV-Techniker oder eine andere Person mit geeigneter Qualifikation installiert wird. B-Tech AV Mounts, ihre Distributoren und Händler können nicht für durch fehlerhafte Montage verursachte Beschädigung oder Verletzung haftbar bzw. verantwortlich gemacht werden. Dieses Produkt muss auf einem geeigneten Untergrund montiert werden und darf nur bis zum angegebenen Höchstgewicht verwendet werden.
- EN B-Tech AV Mounts recommends that this product be installed by a qualified AV technician or other suitably qualified person. B-Tech AV Mounts, its distributors and dealers are not liable or responsible for damage or injury caused by improper installation, improper use or failure to observe these safety instructions. In such cases, all guarantees will expire. This product must be mounted on a suitable surface and may only be used up to the specified maximum weight.
- ES B-Tech AV Mounts recomienda que un instalador de audio y video profesional u otra persona debidamente cualificada instalen este producto. B-Tech AV Mounts, sus distribuidores y concesionarios no se hacen cargo ni se responsabilizan de ningún daño o lesión provocados por una instalación inapropiada. Este producto se debe montar en una estructura adecuada y se debe utilizar soportando solamente hasta el peso máximo indicado.
- FR B-Tech AV Mounts recommande de confier l'installation de ce produit à un installateur AV professionnel ou à une autre personne dûment qualifiée. B-Tech AV Mounts, ses distributeurs et ses revendeurs ne sauraient être tenus responsables de tout dégât ou de toute blessure résultant d'une installation incorrecte. Ce produit doit être monté sur un support approprié et utilisé dans la limite du poids maximum indiqué.
- IT B-Tech AV Mounts consiglia di affidare l'installazione di questo prodotto a un installatore specializzato o ad altra persona adeguatamente qualificata. B-Tech AV Mounts, i suoi distributori e rivenditori non accettano alcuna responsabilità nei riguardi di eventuali danni o infortuni causati da un'errata installazione. Questo prodotto deve essere fissato a una struttura idonea e utilizzato unicamente sino al peso massimo indicato.
- JP B-Tech AV Mounts はAV設置の専門家または適合した知識を備えた人が製品を設置することを推奨します。B-Tech AV Mountsと販売店、取引先はこうした安全指針に従わない場合に随伴される製品の損傷や傷害に対する責任を負いません。場合によって製品が設置されるに適していないところもあるので設置位置に特別な注意を傾けてください。この製品の位置に注意を傾けて設置に適していない壁があるかを確認してください。指定した重さ制限を超過するAV装備を装着しないでください。
- KR B-Tech AV Mounts 는 AV 설치 전문가 또는 적합한 지식을 갖춘 사람이 제품을 설치하도록 권장합니다. B-Tech AV Mounts 와 판매점, 거래처는 이러한 안전 지침을 따르지 않을 경우에 수반될 제품의 손상이나 상해에 대한 책임을 지지 않습니다. 경우에 따라 제품이 설치되기에 적합하지 않은 곳들도 있으므로 설치 위치에 특별한 주의를 기울여 주시기 바랍니다. 제품의 설치 위치에 주의를 기울여 확인하십시오. 지정된 무게 제한을 초과하는 AV 장비를 장착하지 마십시오.
- NL B-Tech AV Mounts adviseert om dit product te laten installeren door een professionele AV-instalateur of andere hiervoor gekwalificeerde persoon. B-Tech AV Mounts, haar distributeurs en dealers zijn niet aansprakelijk of verantwoordelijk voor schade of letsel die is veroorzaakt door onoordeelkundige installatie. Dit product moet worden gemonteerd aan een geschikte constructie, waarbij het aangegeven maximum gewicht niet mag worden overschreden.
- PL Firma B-Tech AV Mounts zaleca, aby ten produkt był instalowany przez profesjonalnych instalatorów AV lub inny odpowiednio przeszkolony personel. Firma B-Tech AV Mounts, jej dystrybutorzy i dealerzy nie ponoszą odpowiedzialności za uszkodzenia lub obrażenia ciała powstałe w wyniku nieprawidłowej instalacji. Niniejszy produkt musi być amontowany na odpowiedniej powierzchni, a podczas użytkowania nie wolno przekraczać podanego maksymalnego obciążenia.
- PT A B-Tech AV Mounts recomenda que a instalação deste produto seja efectuada por um instalador de AV instalador de AV profissional ou outra pessoa devidamente habilitada. A B-Tech AV Mounts e os seus distribuidores e concessionários não são responsáveis por danos ou lesões causados por uma instalação incorrecta. Este produto tem de ser montado numa estrutura adequada e utilizado somente até ao peso máximo indicado.
- RU Компания B-Tech AV Mounts рекомендует, чтобы установка данного изделия производилась инженером по установке аудио-видеотехники или другим специалистом с соответствующей квалификацией. Компания B-Tech AV Mounts ее дистрибьюторы и дилеры не несут ответственности за повреждения или травмы, полученные в результате неправильной установки.

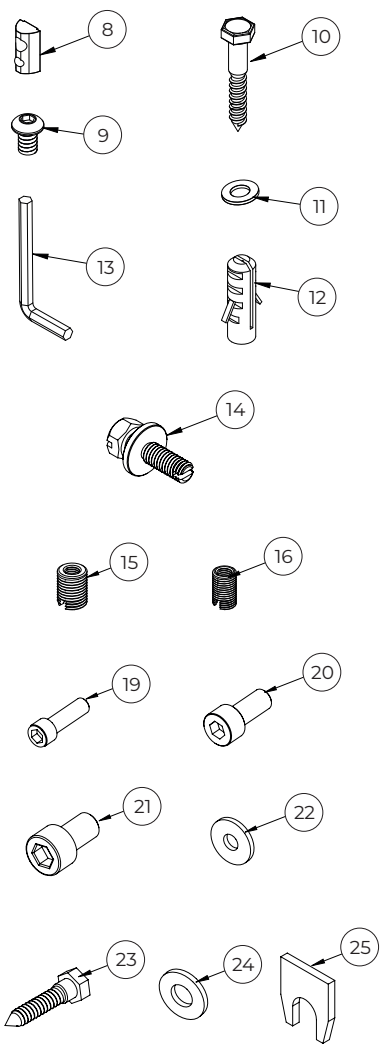
توصي بي-تيك للتجارة الدولية المحدودة بأن شخص محترف في تركيب ال AV أو شخص مؤهل تأهيلا مناسباً لتركيب هذا المنتج. بي-تيك للتجارة الدولية، موزعها والتجار ليست عرضة أو مسؤولة عن الأضرار أو الإصابات الناجمة عن تركيب غير سليم، والاستخدام غير السليم أو عدم مراعاة هذه التعليمات للسلامة. يجب أن يتم تركيب هذا المنتج في بنية مناسبة ويجب استخدامه فقط لحد الأقصى للوزن المشار إليه.

BTXPS27-W6X6 Parts List

Please keep this for future reference



Max load per rail: 100kg (220lbs)



Item	Description	Qty
1	Mounting Rail - L: 1000mm	6
2	Mounting Rail - L: 798mm	6
3	Rail End Cap	6
4	Mounting Extension Bar L:48mm	3
5	Mounting Extension Bar L:60mm	3
6	Rail Joiners	36
7	Wall Bracket	6
8	Insert Nut	12
9	M8 x 12mm Hex Screw	12
10	M8 x 50mm Coach Screw	24
11	M8 Washer	24
12	Wall Plug	24
13	5AF Hex Key	1
14	Adjustable Bobbin	36
15	M10 to M6 Threaded Insert	36
16	M8 to M6 Threaded Insert	36
17	Interface Mounting Connector	36
18	Bottom Row Spacer	7
19	M6 x 20mm Cap Head Screw	7
20	M8 x 18mm Cap Head Screw	7
21	M10 x 16mm Cap Head Screw	7
22	M6 Metal Washer	7
23	M6 x 30mm Coach Screw	7
24	M8 Metal Washer	7
25	Sticky Foam Pad	7

Installation Tools Required

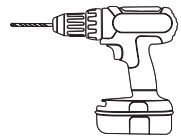
Drill
10mm (7/16") masonry bit
or 6mm (1/4") wood bit

Pencil
13mm (1/2")
Spanner

Flathead
Screwdriver
(Optional)

Laser Level &
Tape Measure

Stud Finder
(Optional)



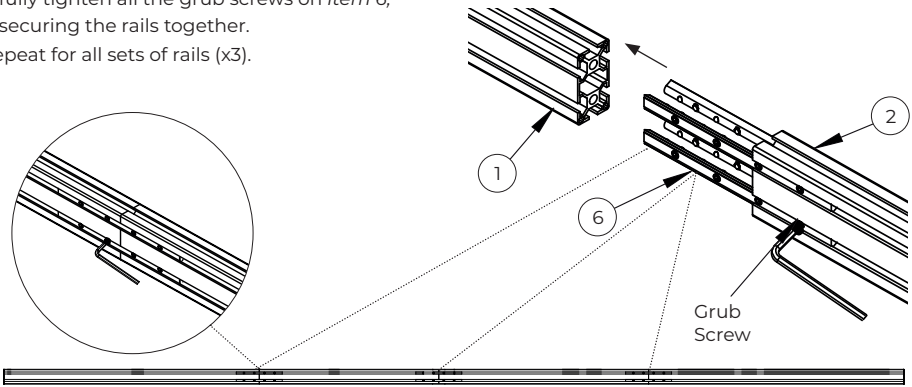
Installation Instructions

1. Assemble Rails

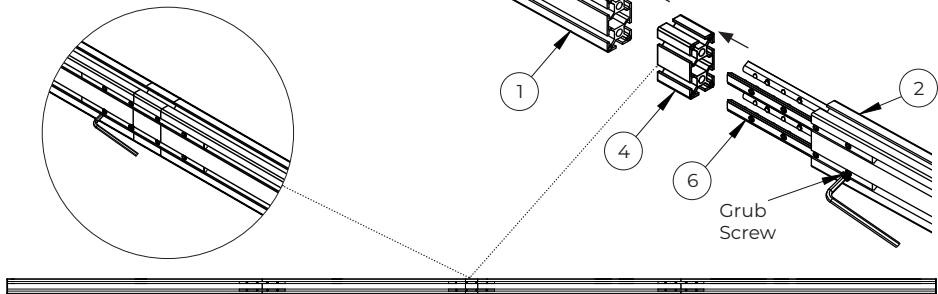
- i. Remove *item 3* from *item 2* and insert *item 6* halfway into the front and back channels of the rail and loosely fix in place (*do not overtighten*).
 - ii. Fix *item 1* onto either side of *item 2* and fully tighten all the grub screws on *item 6*, securing the rails together.
- Repeat for all sets of rails (x3).

Rail assembly for **600mm** wide cabinets

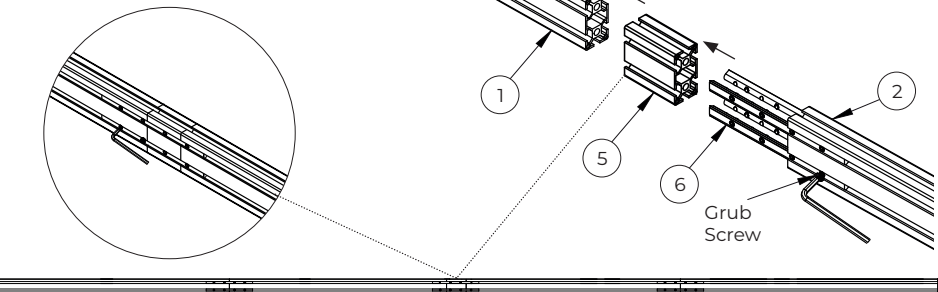
Note: Refer to the Parts List drawing (pg. 4) for the rail joiner (*item 6*) locations on the Mounting Rails (*item 1*).



Rail assembly for **608mm** wide cabinets
Add *item 4* to the central mounting rail join.



Rail assembly for **610mm** wide cabinets
Add *item 5* to the central mounting rail join.

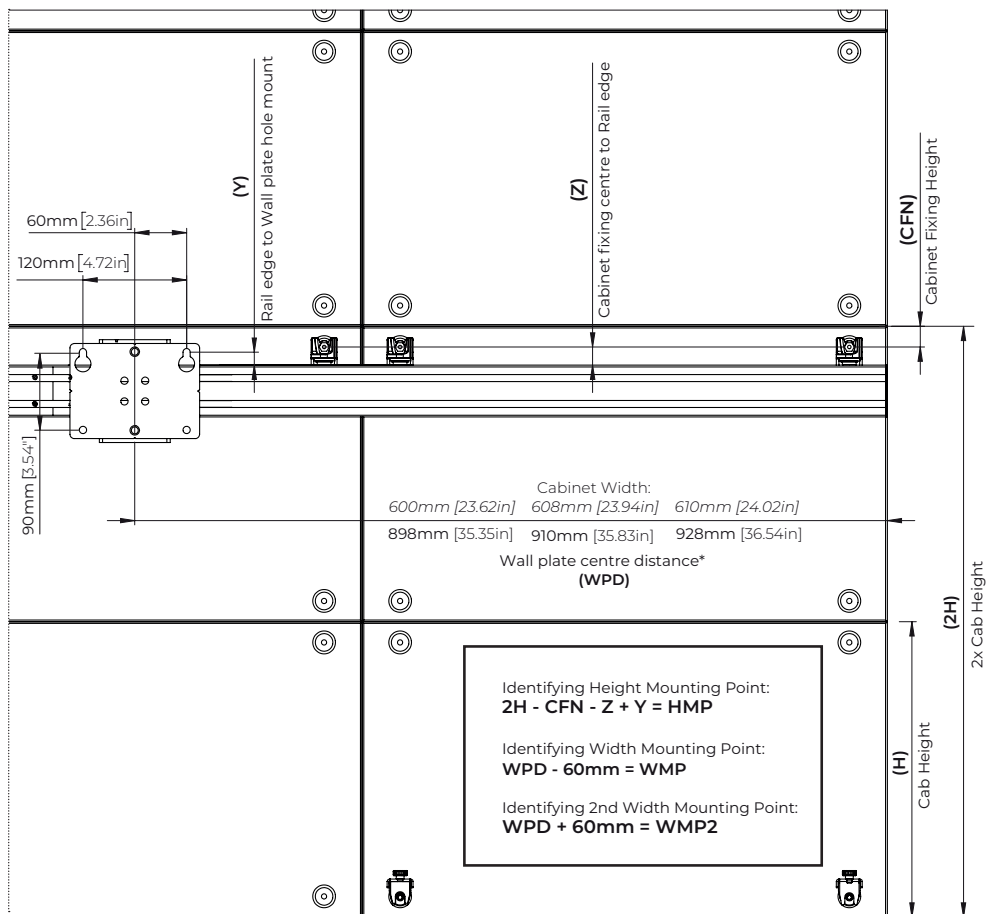


Note: Refer to the dimensions drawings (pages 22 & 23) for marking the first mounting holes and installation dimensions.

2. Mount Wall Plates To The Wall

- i. Using the technical drawings as a guide, mark the position of the first wall plate (bottom left) and drill fixing holes in the wall.

Use the formula shown below to help calculate the height mounting position of the 1st wall fixing bracket (item 7) on the wall.

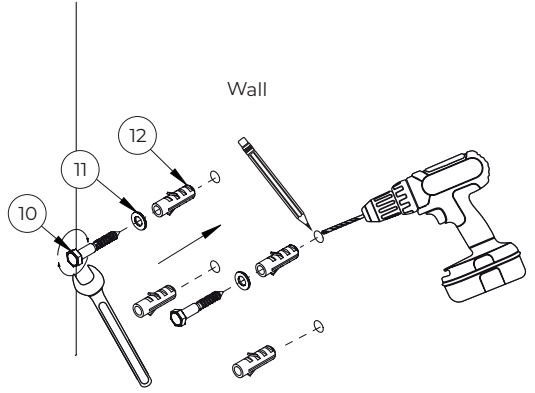
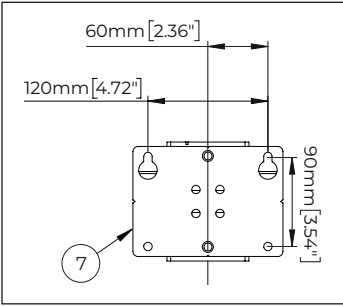


*Dependent on cabinet width, refer to dimensions shown on pages 22 & 23.

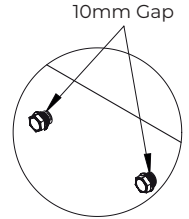
Note: Bobbin location / cabinet fixings may vary between different cabinets

- ii. Prepare the remaining fixing holes in the wall.
- iii. Insert *item 12* in all holes and *items 10 & 11* into the top holes*.

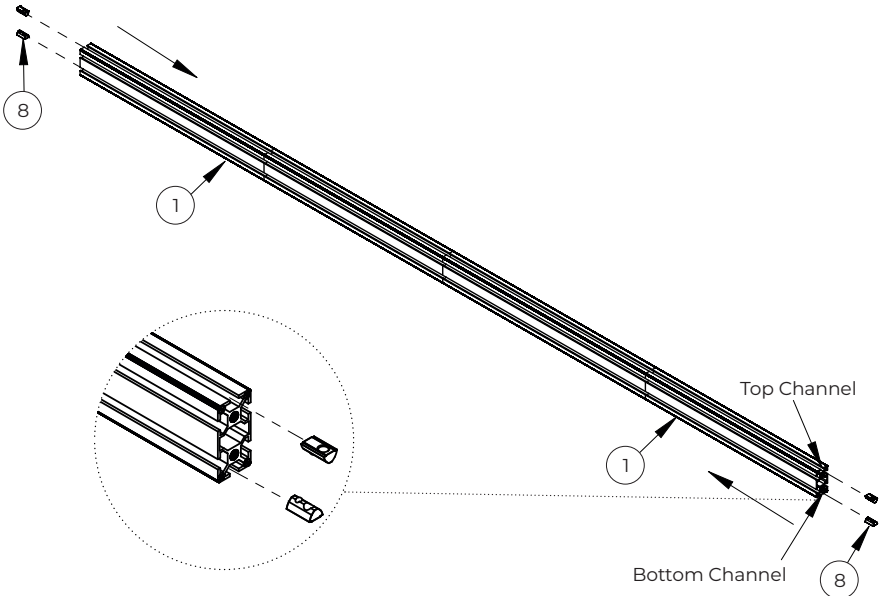
Note: Do not mount the wall plates to the wall, only drill and prepare the fixing holes.



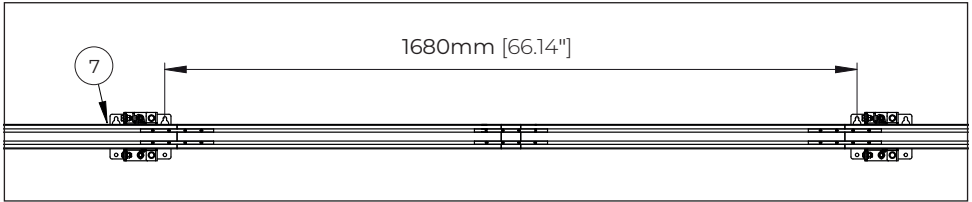
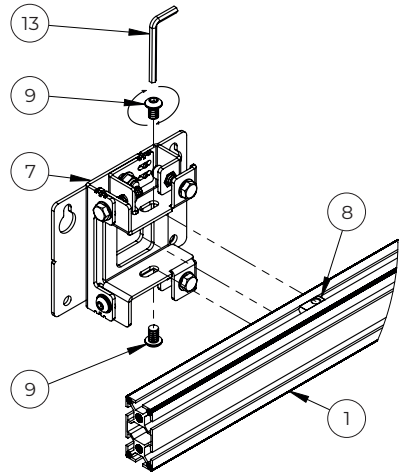
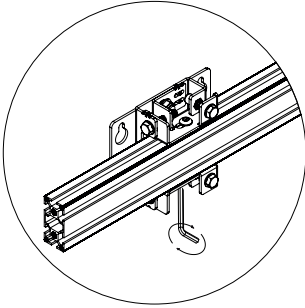
***Keyhole Mounting:**
Leave an approx. 10mm (0.4") gap on *item 10* to hook on *item 7*.



- iv. Insert *item 8* into the top and bottom channels of *item 1*. Repeat for all sets of rails (x3).



v. Referring to the technical drawings for rail positioning, attach *item 1* to *item 7* using *items 8 & 9*.

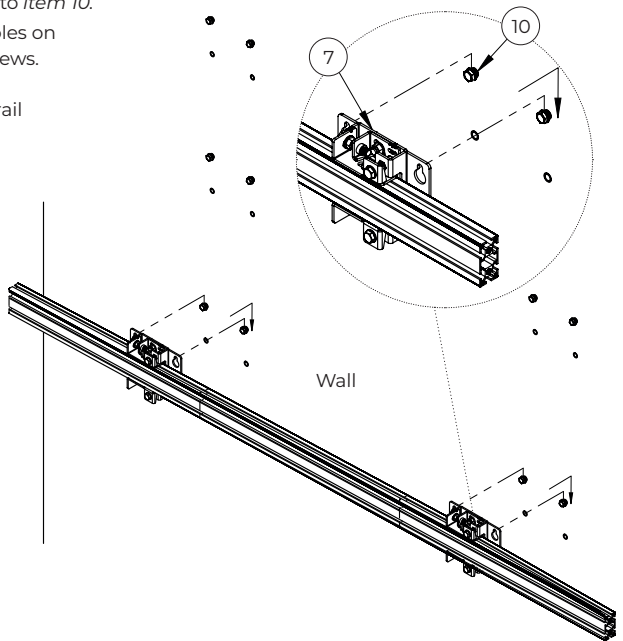
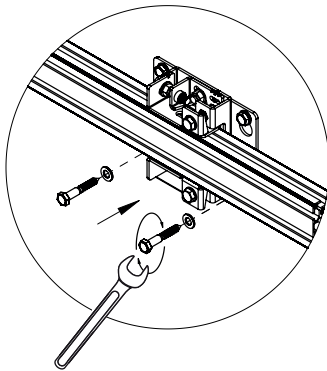


vi. Hook *item 7* (with rail attached) onto *item 10*.

vii. Fix *items 10 & 11* into the bottom holes on *item 7* and fully tighten the top screws.

Note: Mount and level* the bottom rail before mounting the upper rails.

*See **Step 3** on how to level the height of the rail.

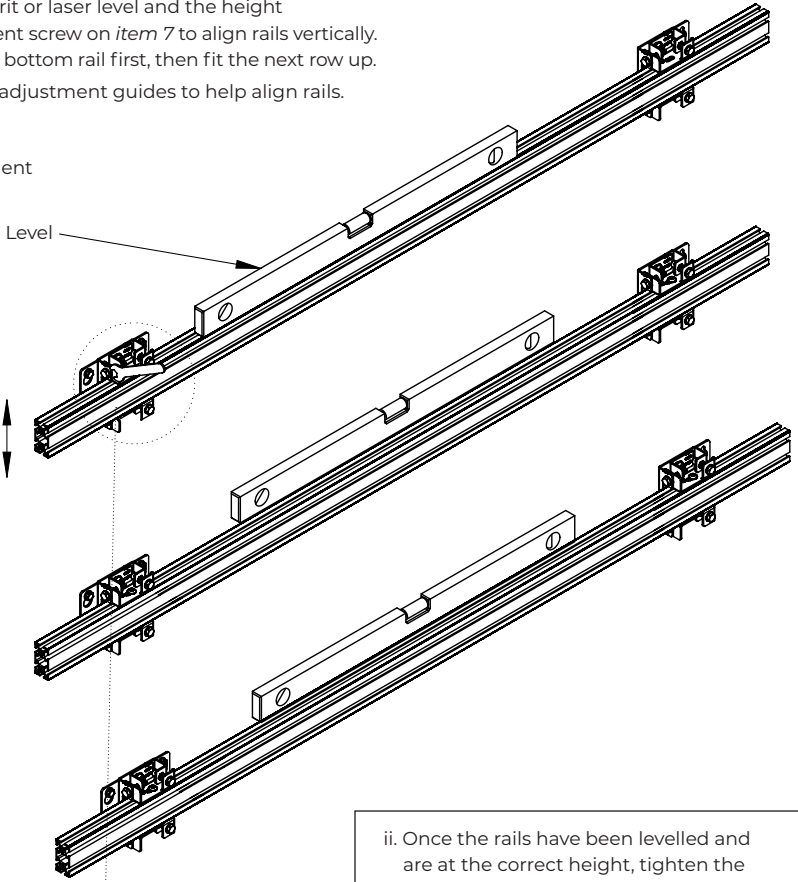


3. Rail Alignment - Height Adjustment

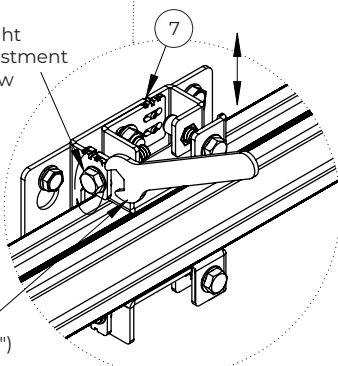
- i. Use a spirit or laser level and the height adjustment screw on *item 7* to align rails vertically. Level the bottom rail first, then fit the next row up.

Note: Use adjustment guides to help align rails.

Height Adjustment

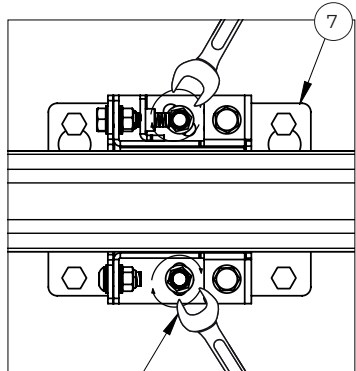


Height Adjustment Screw



13mm (1/2") Spanner (not included)

- ii. Once the rails have been levelled and are at the correct height, tighten the top and bottom centre nuts on *item 7*.



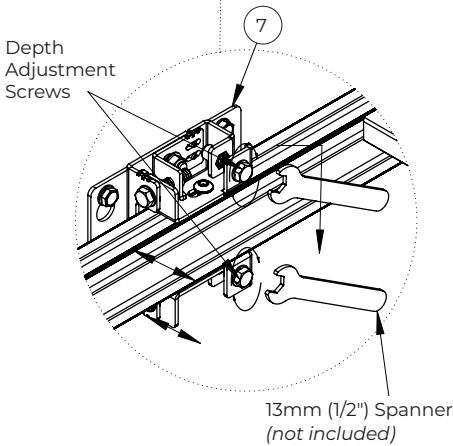
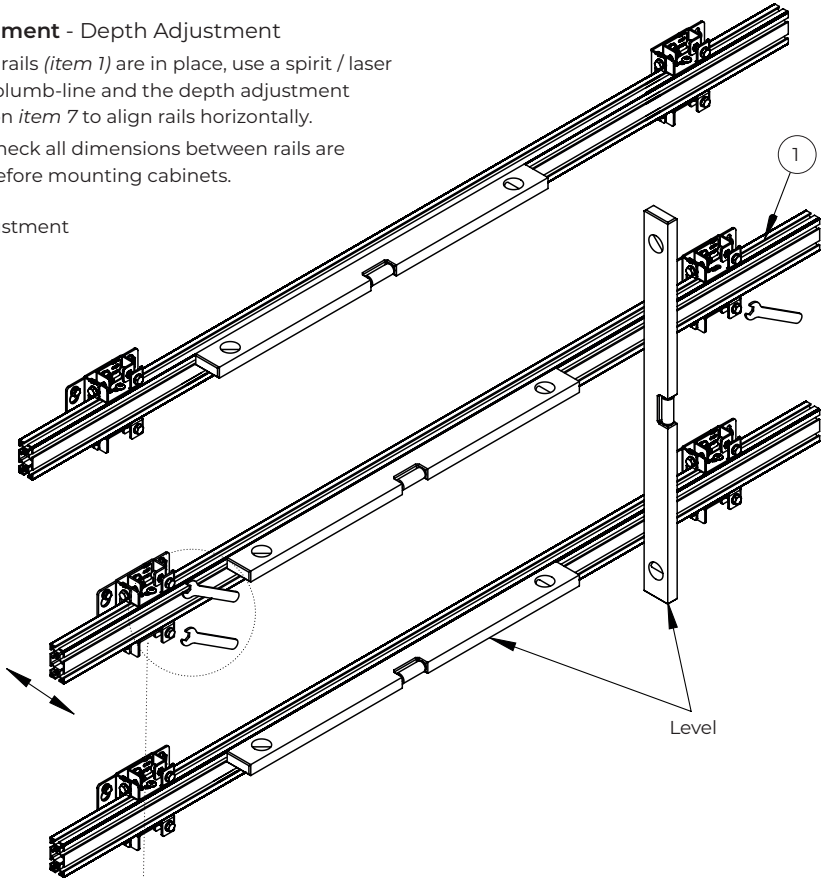
13mm (1/2") Spanner (not included)

Rail Alignment - Depth Adjustment

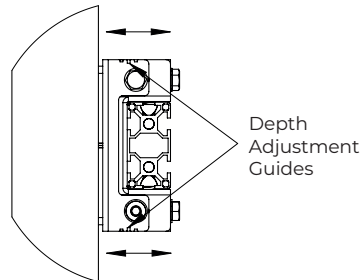
iii. Once all rails (*item 1*) are in place, use a spirit / laser level or plumb-line and the depth adjustment screws on *item 7* to align rails horizontally.

Note: Re-check all dimensions between rails are accurate before mounting cabinets.

Depth Adjustment



Note: Use adjustment guides to help align rails.
Adjustable depth & height: +/-5mm (0.2")



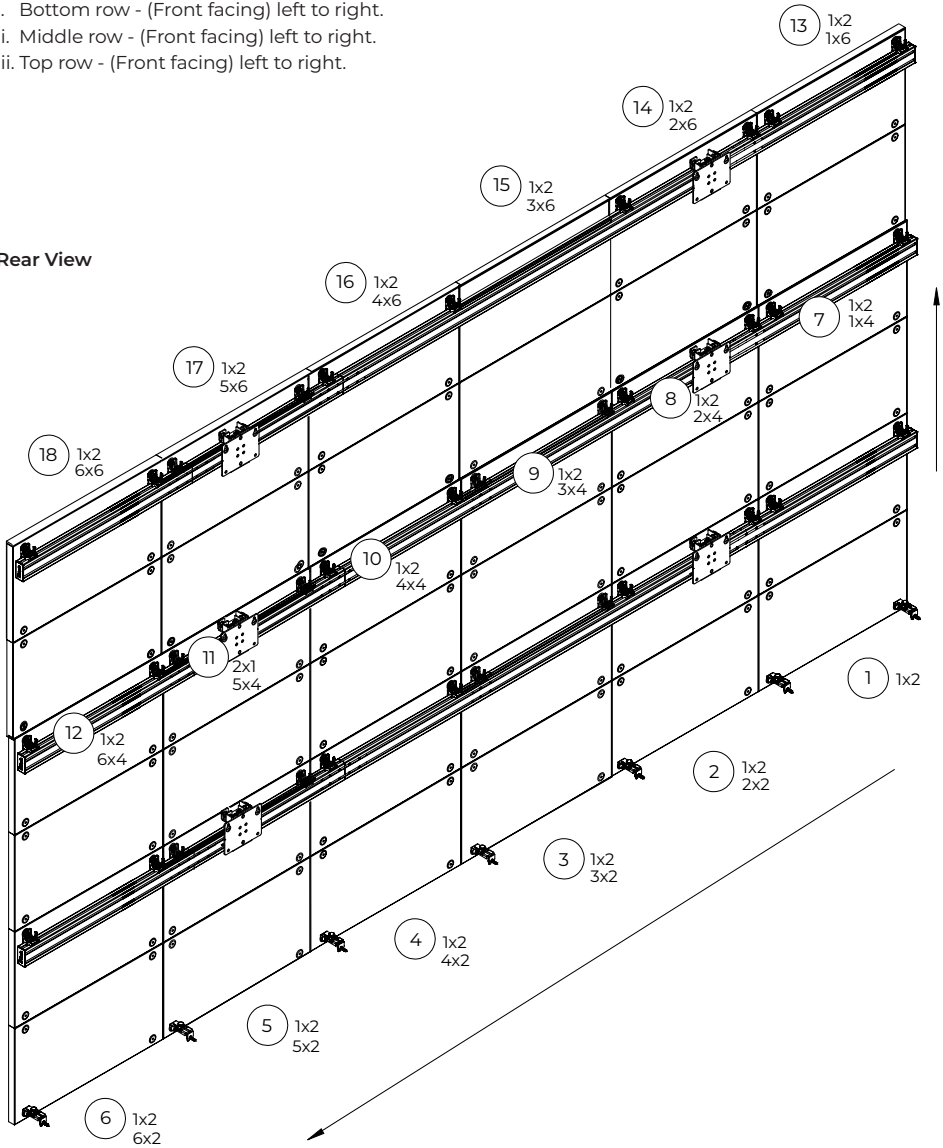
dvLED Assembly Sequence

Warning!

The sequence of assembly should be:

- i. Bottom row - (Front facing) left to right.
- ii. Middle row - (Front facing) left to right.
- iii. Top row - (Front facing) left to right.

Rear View



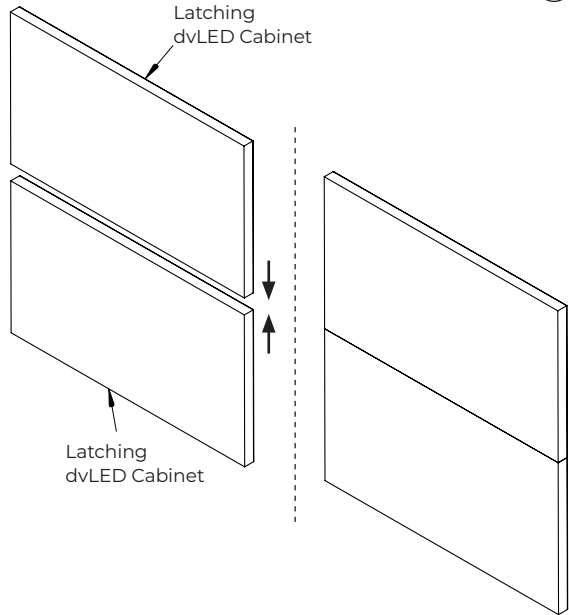
4. Assemble dvLED Cabinets

1

1x2 Process

Warning! The sequence of assembly should be: Facing the front - Start left to right, bottom row first.

- i. Connect the two cabinets securely together using connecting screws or locking handles.



Important:

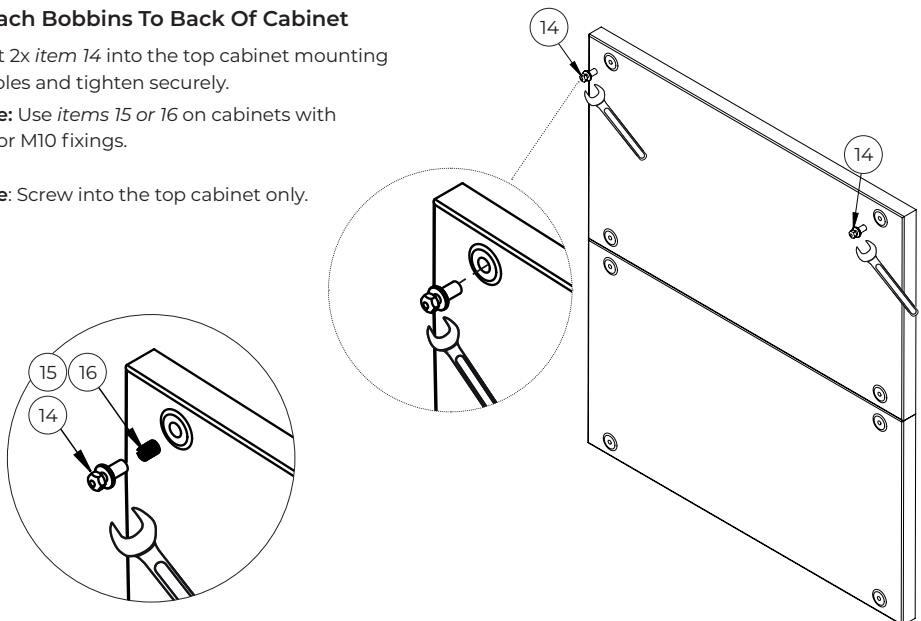
Ensure cabinets are aligned flush at all edges, especially the front face.

Attach Bobbins To Back Of Cabinet

- ii. Fit 2x *item 14* into the top cabinet mounting holes and tighten securely.

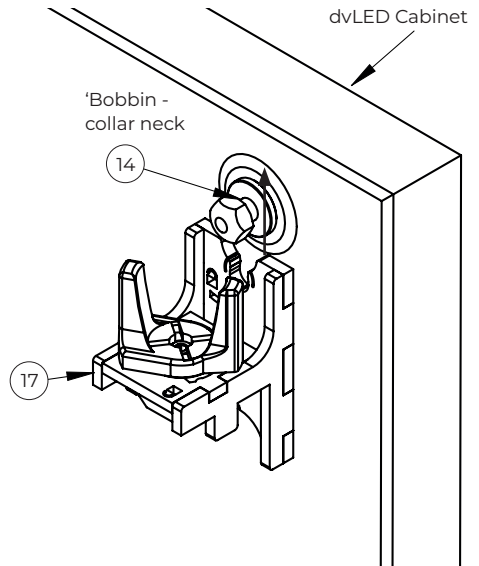
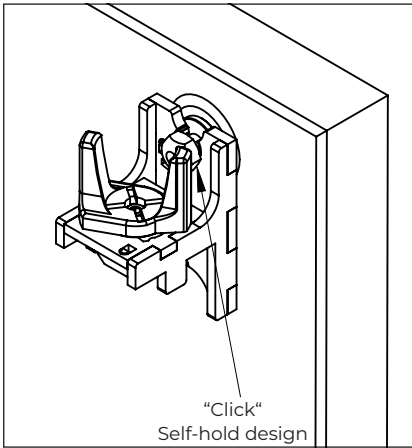
Note: Use *items 15 or 16* on cabinets with M8 or M10 fixings.

Note: Screw into the top cabinet only.



Clip Interface Mounting Connector Onto Bobbins

iii. Slide *item 17* upward and “click” onto the neck of *item 14*.



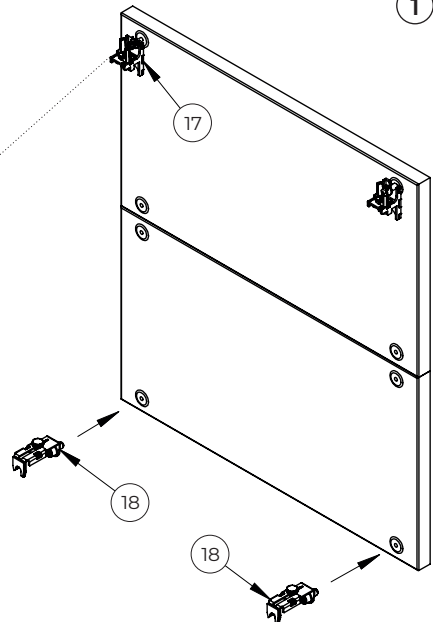
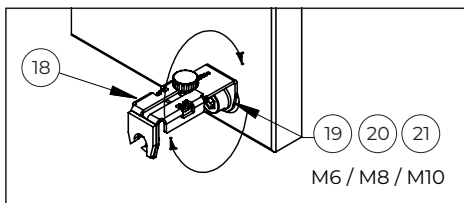
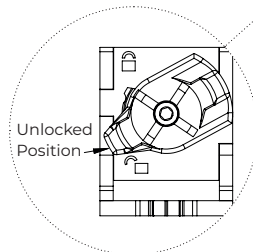
Note: After *item 17* has been clicked onto *item 14*, the connector should automatically stay vertical and ready to hook onto the mounting rail.

Add Bottom Row Spacers To The First Set Of Cabinets

Connect 2x Bottom Row Spacer

iv. Screw 2x *item 18* into the bottom row of the bottom cabinet using the appropriate size screws (*items 19, 20 or 21*).

1

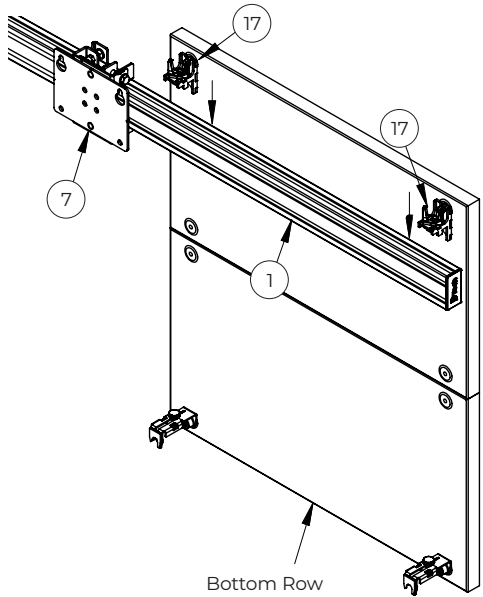


v. Lift and lower the cabinet assembly onto the bottom left hand side (from front) of item 1.

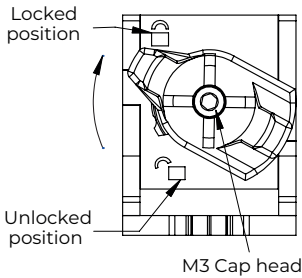
Note: Ensure item 17 is in the unlocked position when hanging cabinets

vi. Adjust to cabinets to desired position by lightly lifting and sliding.

vii. Once at desired position, twist lever on top of item 17 to lock in position.



Interface Mounting Connector (item 17)



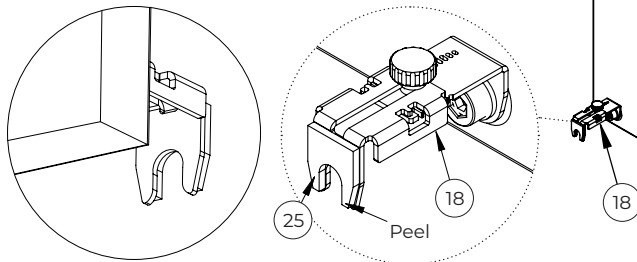
Note: If lever is not fully locking, slightly unscrew the M3 Caphead. If the lever is too loose, slightly tighten the M3 Caphead.

Alternative Installation Bottom Row Spacer

Option B - Foam Pads

No wall fixings (item 23) used - See Option A (next page) for a fixed installation.

Peel the tape off on item 25 and stick the foam pad onto the end of item 18 so the stand off rests against the wall.



For a more secure fixing use wall fixings (item 23) - See next page.

Bottom Row Spacer - Fixed Stand Off

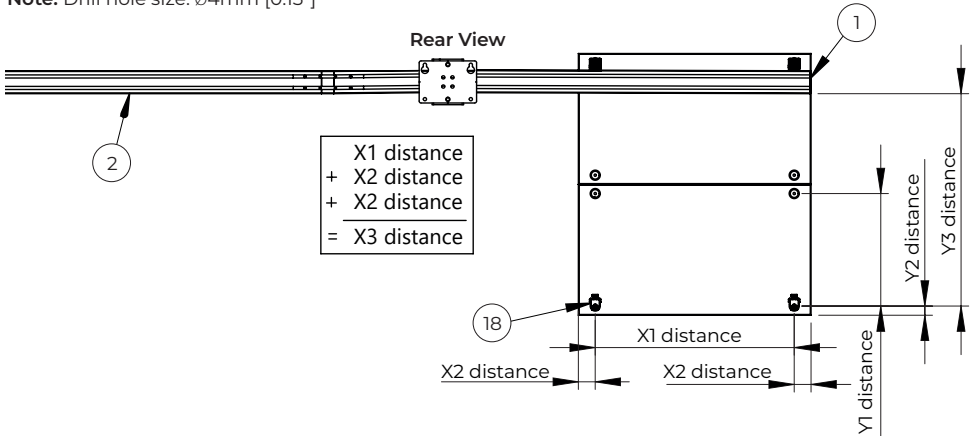
Option A - Wall Screw

See *Option B* for installation without using wall fixings.

viii. Mark position on the wall, where the bottom row spacer (*item 18*) sits on the cabinet.

ix. Remove cabinets and drill marked position.

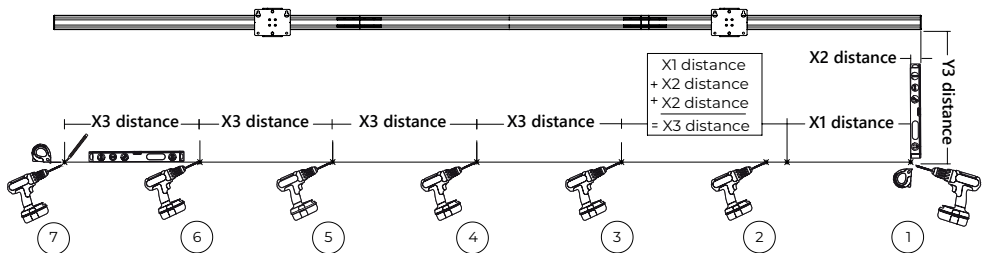
Note: Drill hole size: $\varnothing 4\text{mm}$ [0.15"]



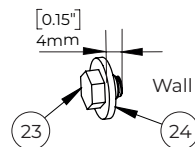
x. Use a tape measure to mark distances using the formula shown below.

Note: Use a level to ensure lines are square and level.

Y3 distance = Distance from the bottom of the rail (*item 1*) to the bottom row spacer (*item 18*) mounting hole centre.

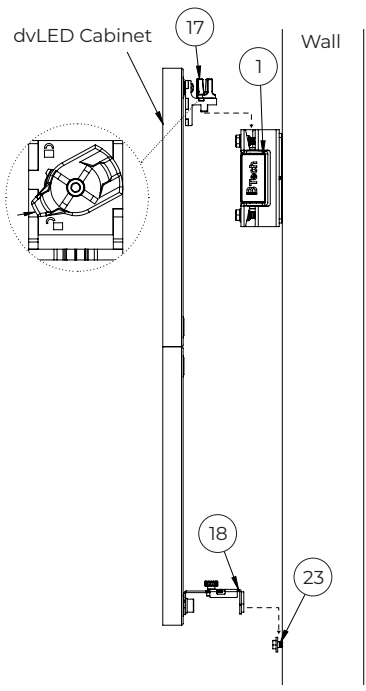
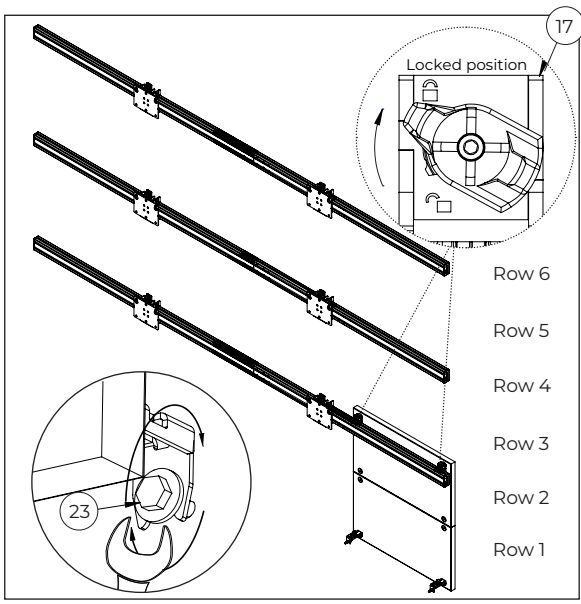


xi. Tighten *items 23 & 24* into the wall, leaving a min. 4mm (0.15") gap for *item 18* to hook onto.



5. Mount Bottom Row Of Cabinets

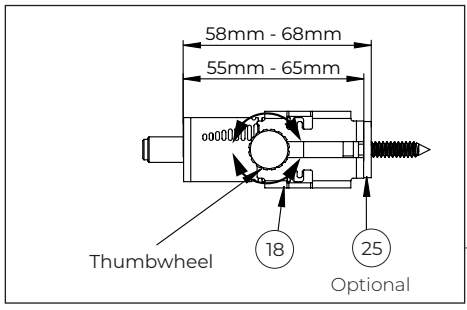
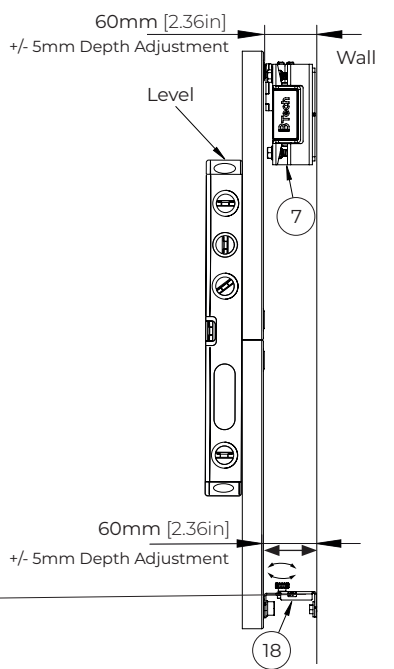
i. Using *items 17 & 18*, hook the first set of cabinets onto *items 1 & 23*, once the cabinets are in position, lock *item 17* and tighten *item 23*.



Depth adjustment

Note: Use a laser level to ensure the front of the cabinet is plumb, vertically level and square.

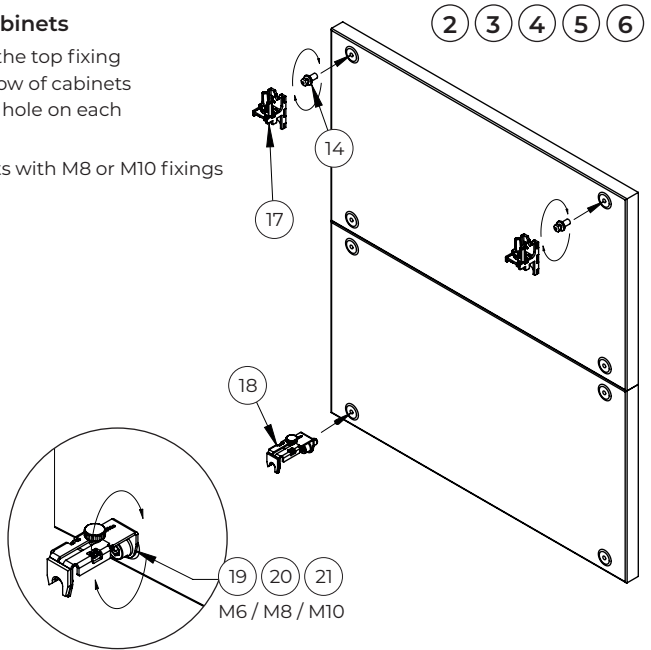
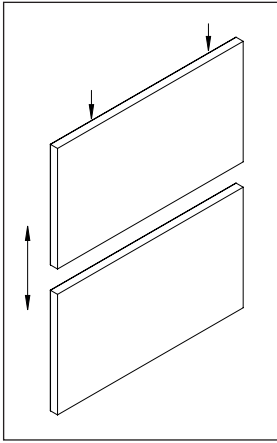
ii. To make the front face of the cabinets plumb, use the thumbwheel on *item 18* to adjust the depth in or out. Once the front face of the cabinets are plumb, tighten the thumbwheel to lock *item 18* in position.



Assemble Bottom Row Of Cabinets

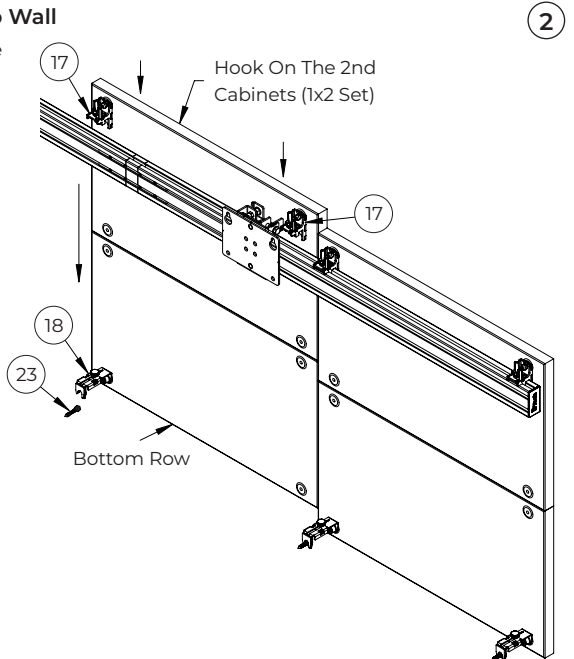
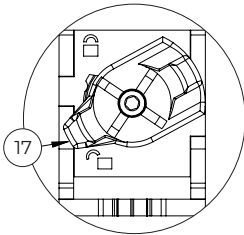
i. Using *item 14*, fit 2x *item 17* into the top fixing holes of the remaining bottom row of cabinets and 1x *item 18* to the bottom left hole on each set of cabinets.

Note: Use *items 15 or 16* on cabinets with M8 or M10 fixings



Hook Bottom Row Of Cabinets Onto Wall

ii. Hook the 2nd Cabinets (1x2 Set) onto the bottom rail.



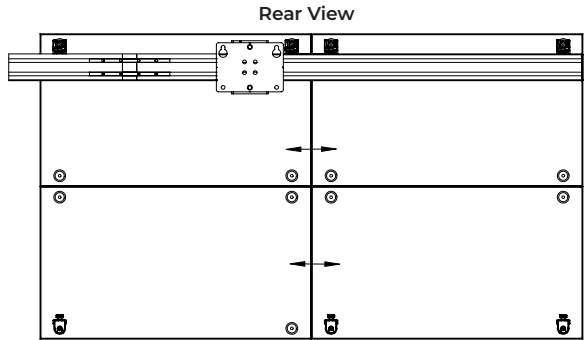
Important:

The sequence of assembly should be bottom row left to right.

Warning!

Wall Fixing Brackets (*item 7*) must be positioned either side of the Interface Mounting Connectors (*item 17*).

- iii. Lock cabinets together horizontally using locking screws/ locking handles. Then square vertically.



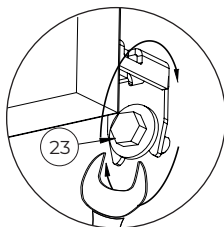
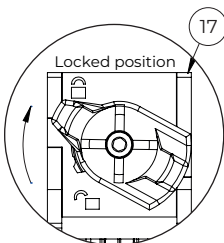
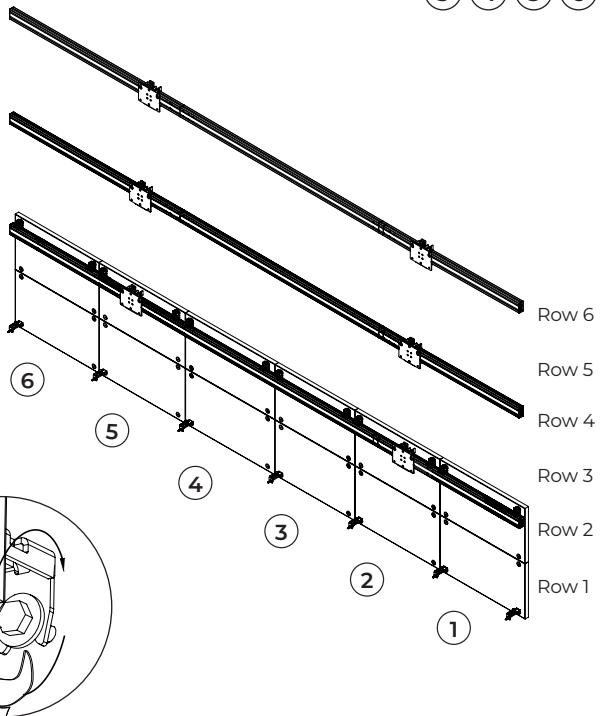
Hook Remaining Row Of Cabinets

Assemble 3rd, 4th, 5th & 6th sets of cabinets on bottom row.

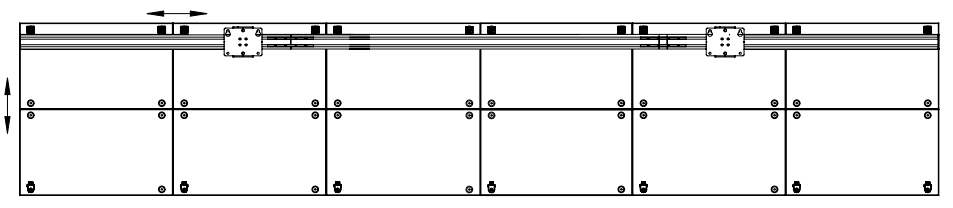
- iv. Hook on the next set of 1x2 cabinets to the left side and connect the cabinets of 1x2 securely together.

Note: Ensure cabinets are aligned flush at all edges, especially the front face.

- v. Lock *item 17* and tighten *item 23*.



Connect cabinets side by side.

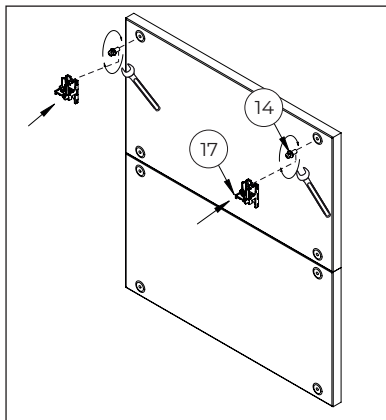


6. Mount Middle Row Of Cabinets

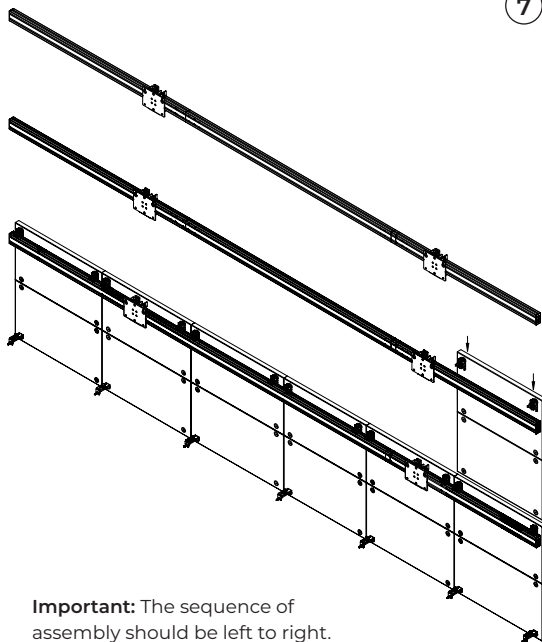
i. Using *item 14*, fit *item 17* to the top fixing holes of the next row cabinets.

Note: Bottom row spacers (*item 18*) are not required for the upper rows of cabinets.

ii. Hook the middle row of cabinets onto the rail.



7



Important: The sequence of assembly should be left to right.

iii. Assemble and mount the middle row of 1x2 cabinets (sets 7 - 12). Following the steps shown in **Step 5**.

Note: Ensure cabinets are aligned flush at all edges, especially the front face and connect cabinets together.

Row 6

Row 5

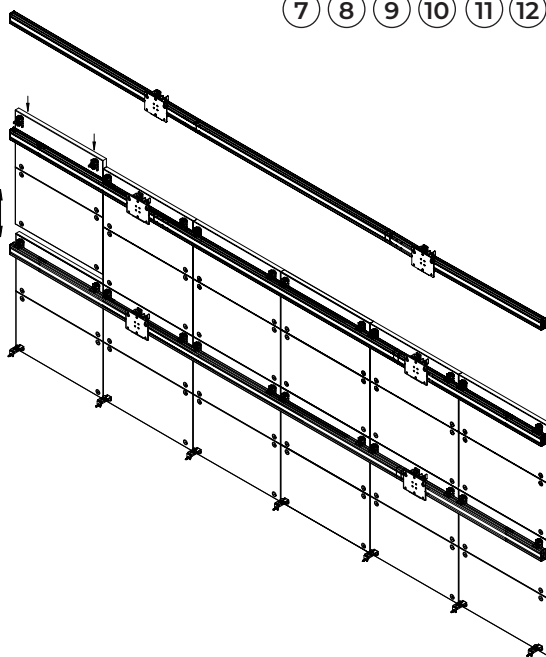
Row 4

Row 3

Row 2

Row 1

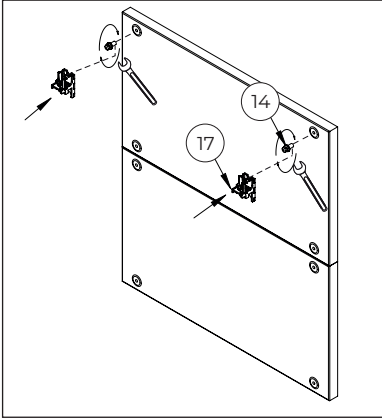
7 8 9 10 11 12



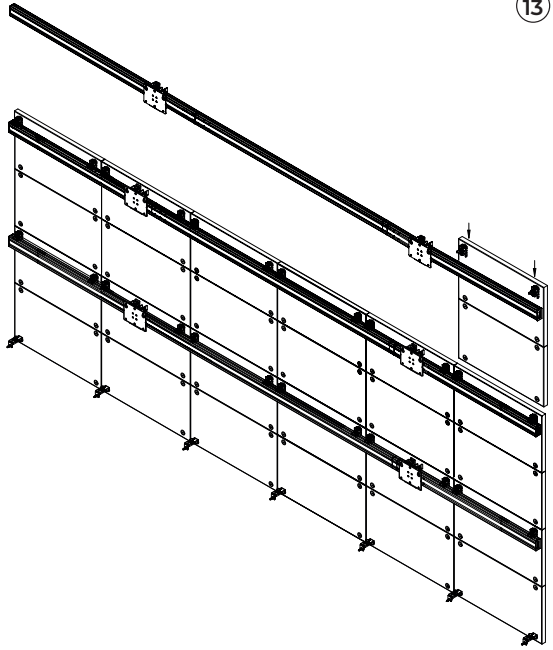
7. Mount Top Row Of Cabinets

i. Using *item 14*, fit *item 17* to the top fixing holes on the top row of cabinets (Sets 13 - 18).

Note: Bottom row spacers (*item 18*) are not required for the upper rows of cabinets.

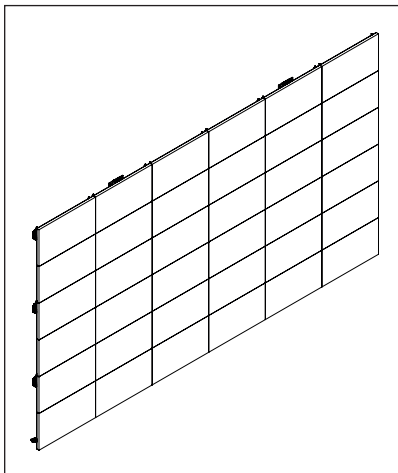


13

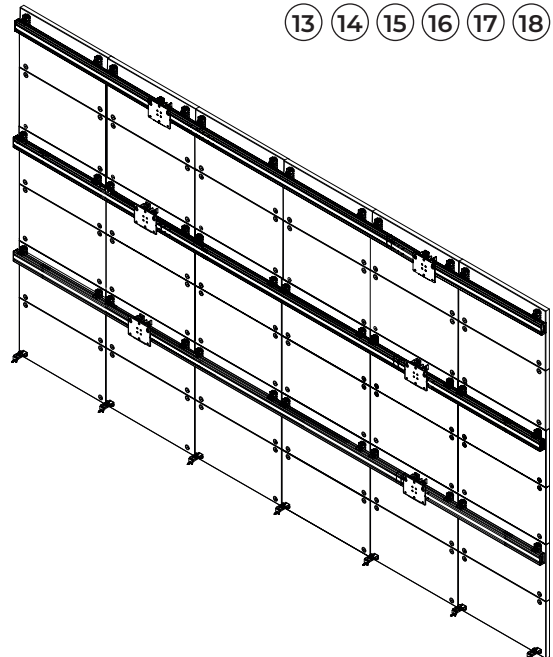


ii. Hook the top row of 1X2 cabinets onto the rail.

Note: Ensure cabinets are aligned flush at all edges, especially the front face and connect cabinets together.



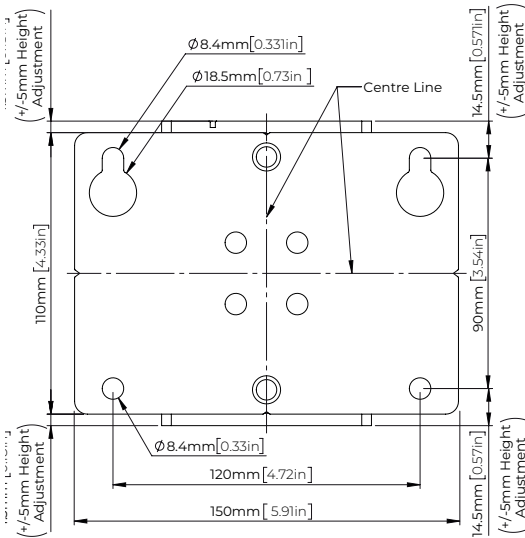
13 14 15 16 17 18



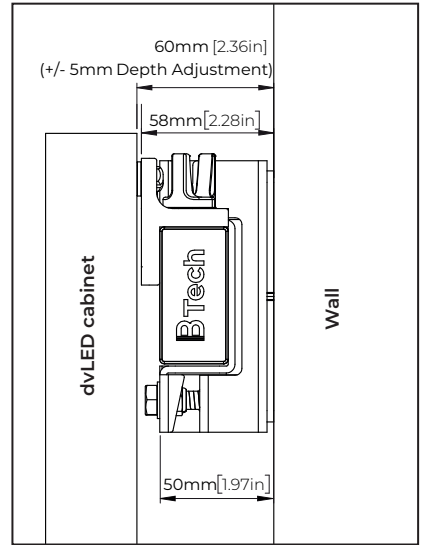
BTXPS27-W6X6 Dimensions

Please keep this for future reference

Wall Bracket - Rear View

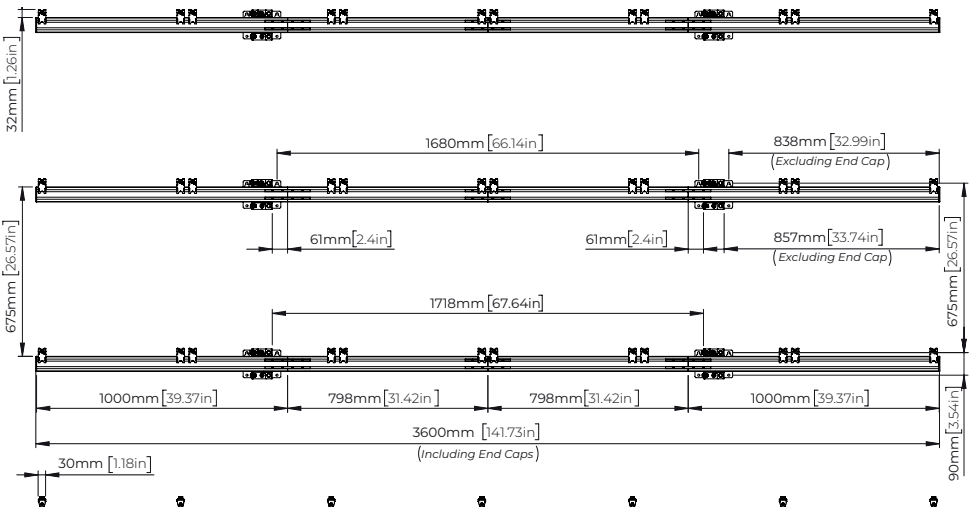


Assembled Side View



Front View

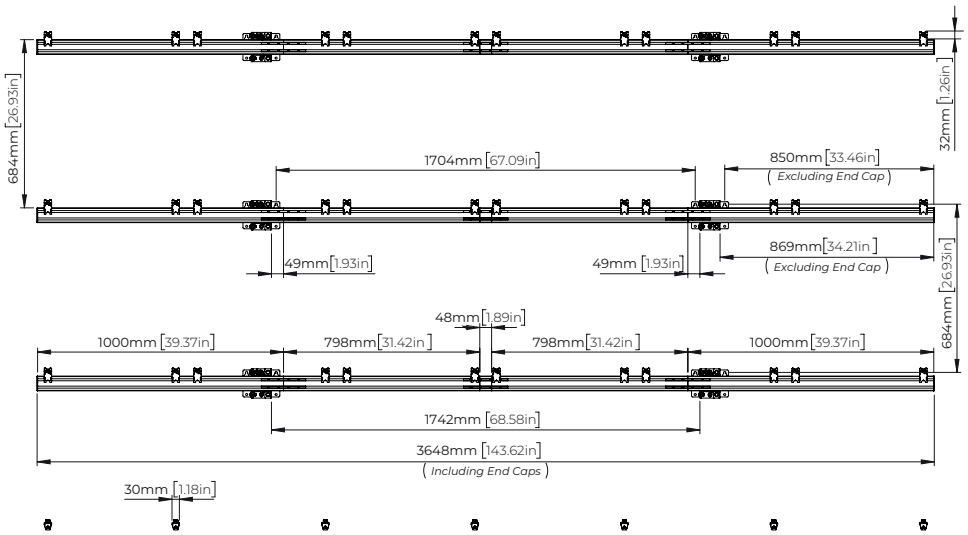
Drawing is based on **600x337.5mm** cabinet.
Bobbin location may vary between different cabinets



Note: We recommend measuring from the top edge, to the top edge when installing the horizontal rails.

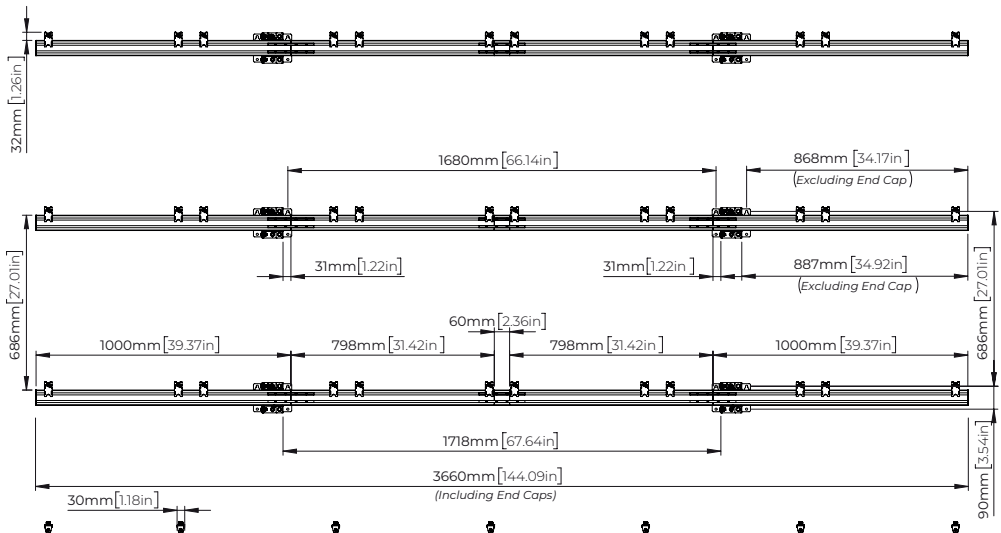
Front View

Drawing is based on **608x342mm** cabinet.
 Bobbin location may vary between different cabinets



Front View

Drawing is based on **610x343mm** cabinet.
 Bobbin location may vary between different cabinets



These instructions are intended as a guide only and B-Tech accepts no liability for the accuracy of the information contained in this document.

Contact: info@btechavmounts.com

©2025 B-Tech AV Mounts Corporation Ltd. All rights reserved.

B-Tech AV Mounts is a division of B-Tech AV Mounts Corporation Ltd.

B-Tech AV Mounts and the B-Tech logo are registered trademarks.

All B-Tech images and symbols are exclusive property of B-Tech AV Mounts Corporation Ltd.

All other brands and product names are trademarks of their respective owners.

Any reproduction, retransmission or republication of any part of this manual is strictly prohibited,

unless prior written permission has been granted by B-Tech AV Mounts Corporation Ltd.

Photographs are for illustrative purposes only. E&OE

AMA-BTXPS27-W6X6-V1-0325-44 Made in the P.R.C.

