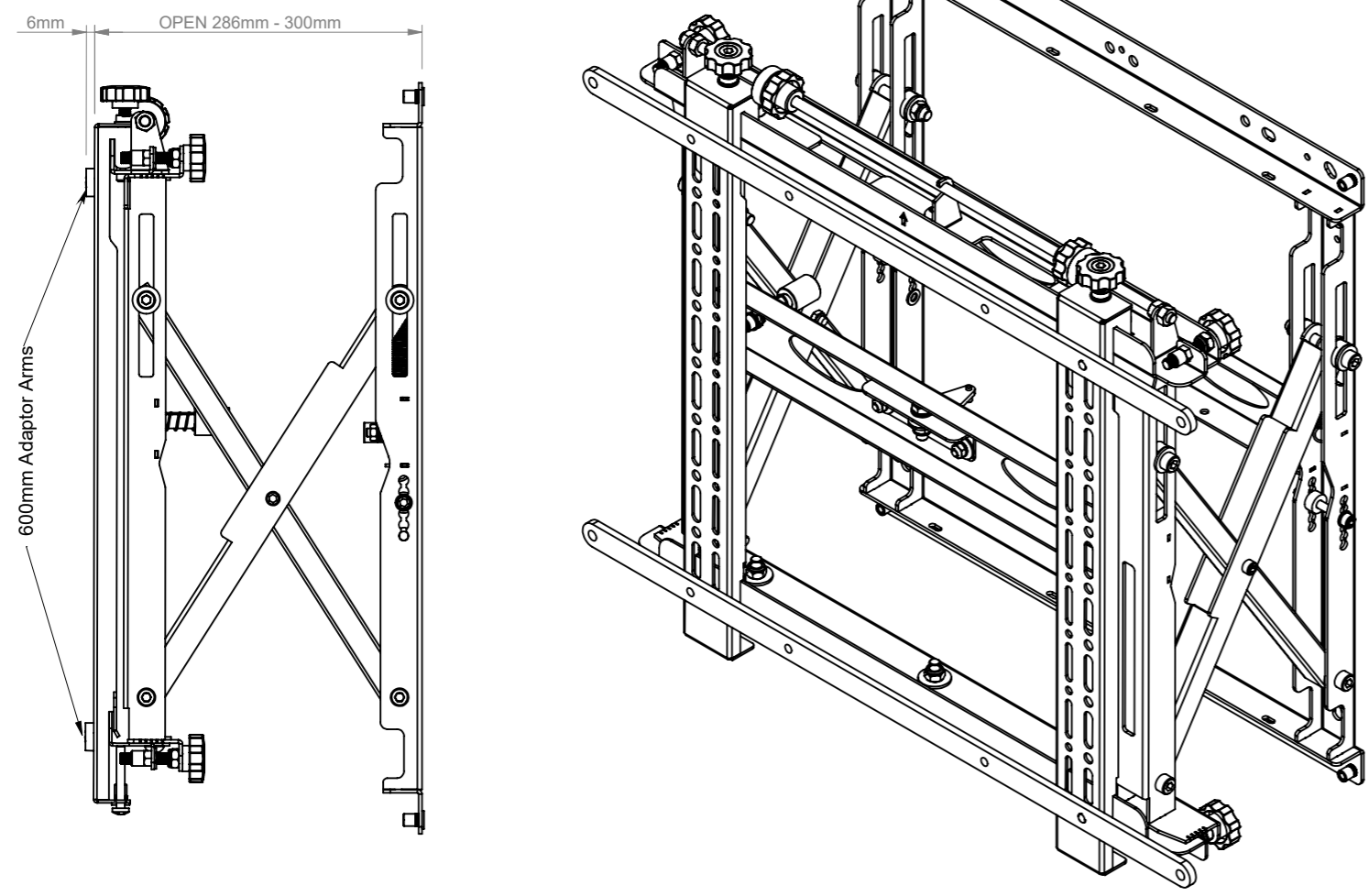
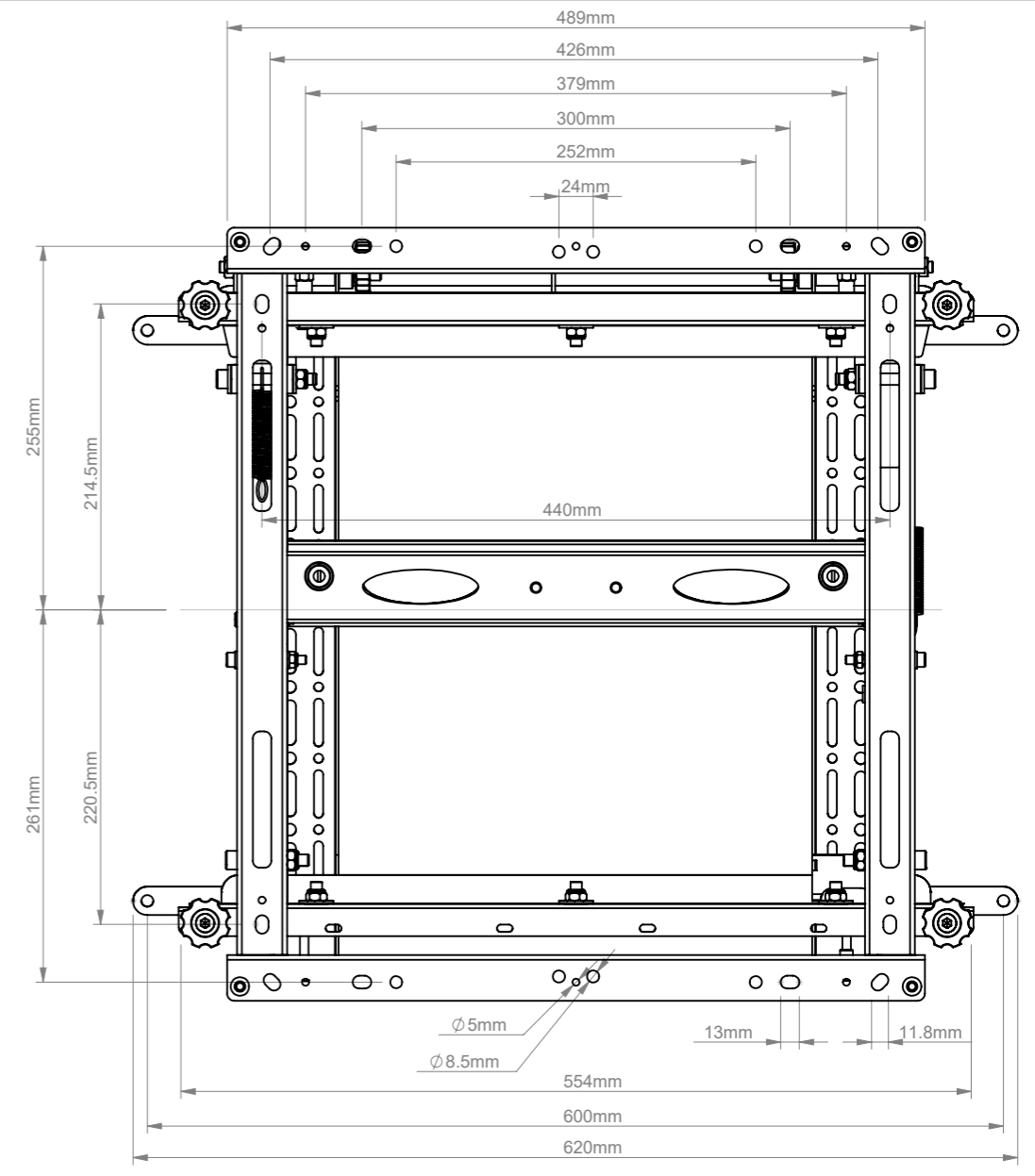
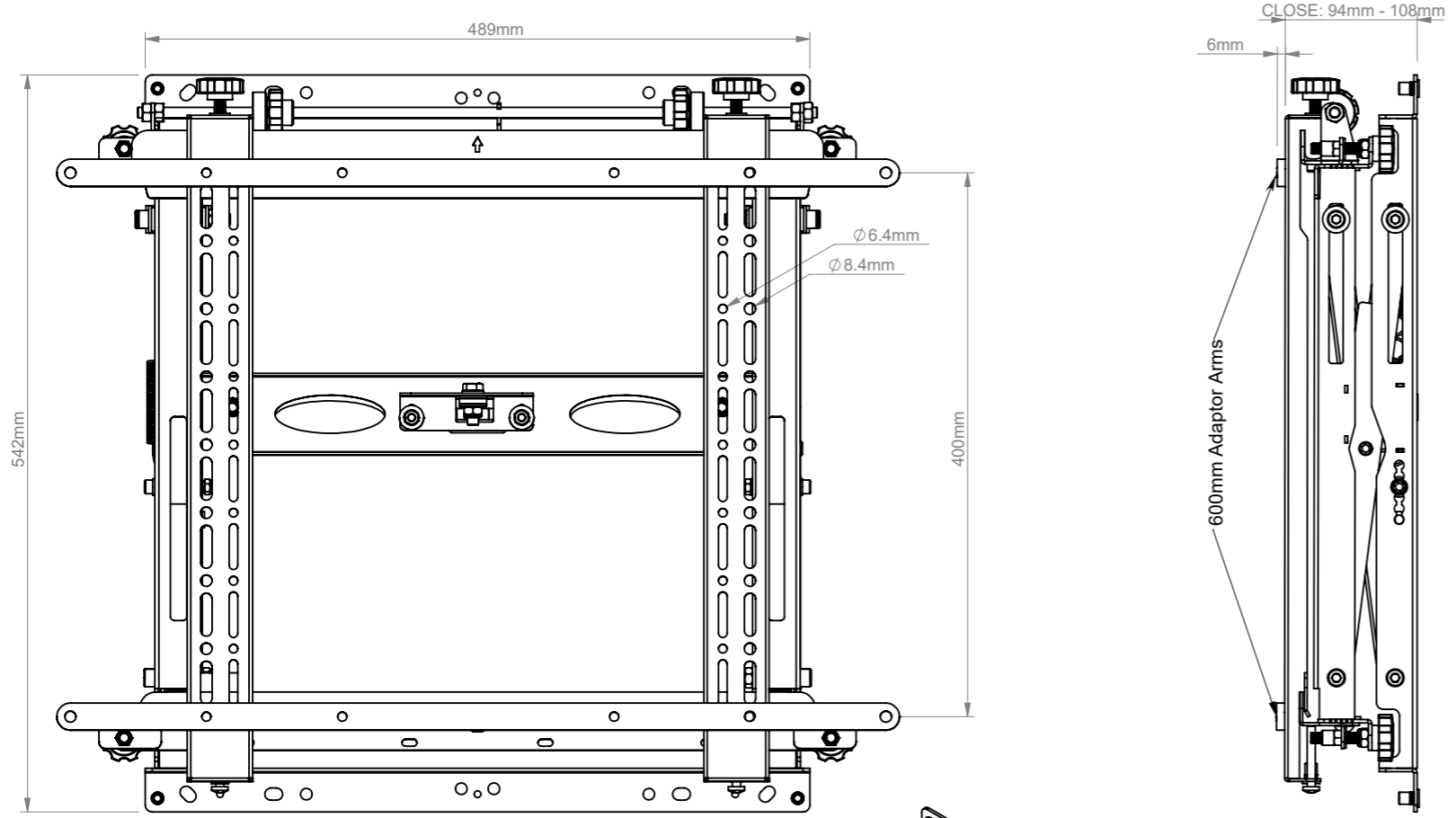



THE INFORMATION CONTAINED IN THIS DRAWING IS THE SOLE PROPERTY OF B-TECH INTERNATIONAL DESIGN AND MANUFACTURING LIMITED, ANY REPRODUCTION IN PART OR WHOLE WITHOUT THE WRITTEN PERMISSION OF B-TECH INTERNATIONAL DESIGN AND MANUFACTURING LIMITED IS PROHIBITED.



B-Tech International Design and Manufacturing Limited Part of the B-Tech International Group of Companies		B-Tech No: BT8310
 UNLESS OTHERWISE SPECIFIED DIMENSIONS ARE IN MILLIMETERS		Version: V4.0
Size: A3 Scale: 1:5	Title: Professional Video Wall Moun: Pop In- Pop Out Mount	
Sheet: 1 of 1 Date: 12/01/2017	Revision: 0.2	File Name: BTD-BT8310V4-R0.2